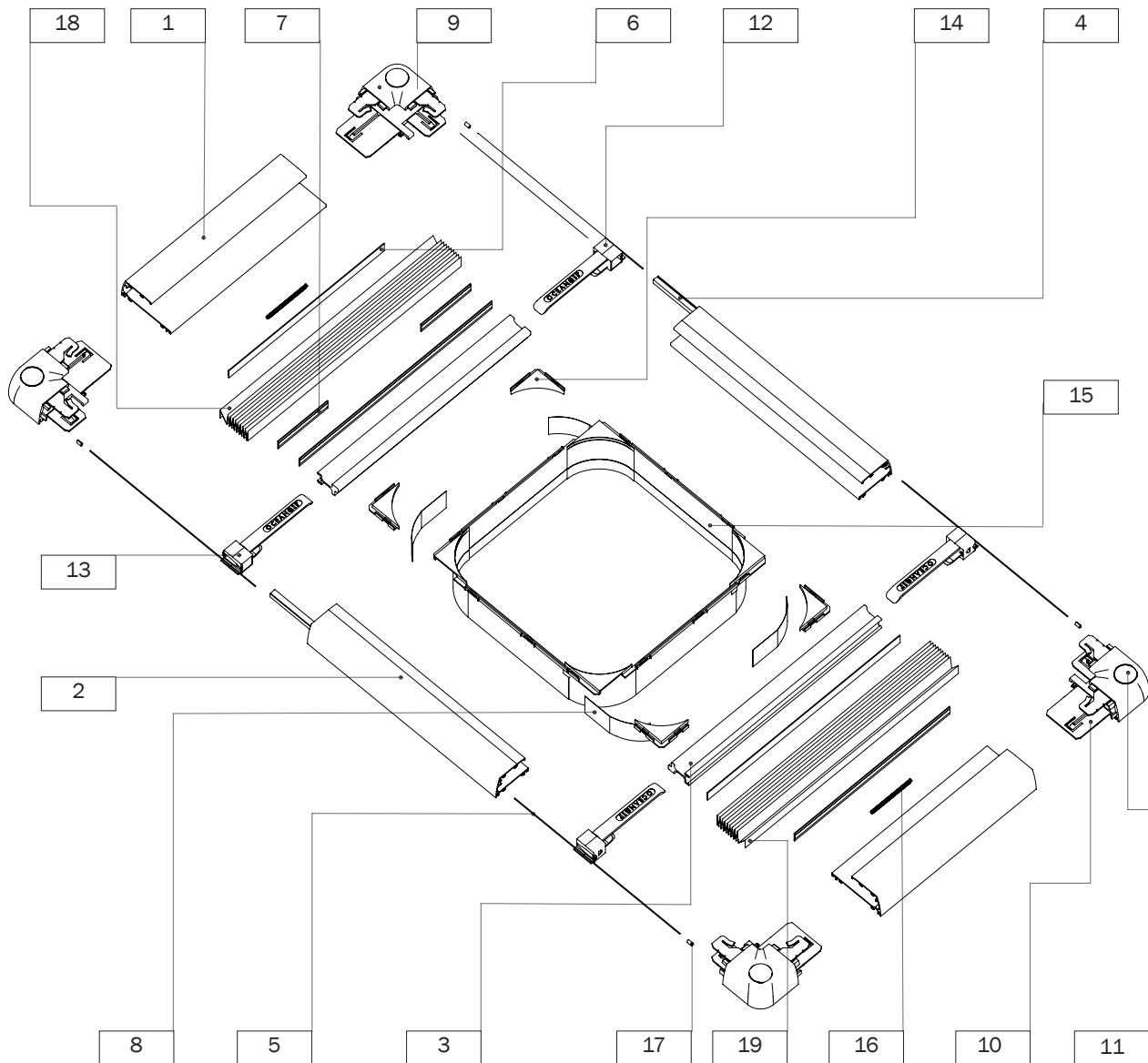


SKYSCREEN PLEATED ALLOY Exploded Parts Diagram



No.	Description
1	Cover Extrusion
2	Side Rail
3	Cross Bar
4	Brush Strip
5	Cord
6	Double Sided Tape
7	Double Sided Tape 60 mm
8	Masking Tape
9	RH Corner Moulding
10	LH Corner Moulding

No.	Description
11	Screw Cover
12	LH Cross Bar Endcap
13	RH Cross Bar Endcap
14	Radius Adaptor (4 off)
15	Liner
16	Spring
17	Bush
18	Pleated Fabric
19	Flyscreen