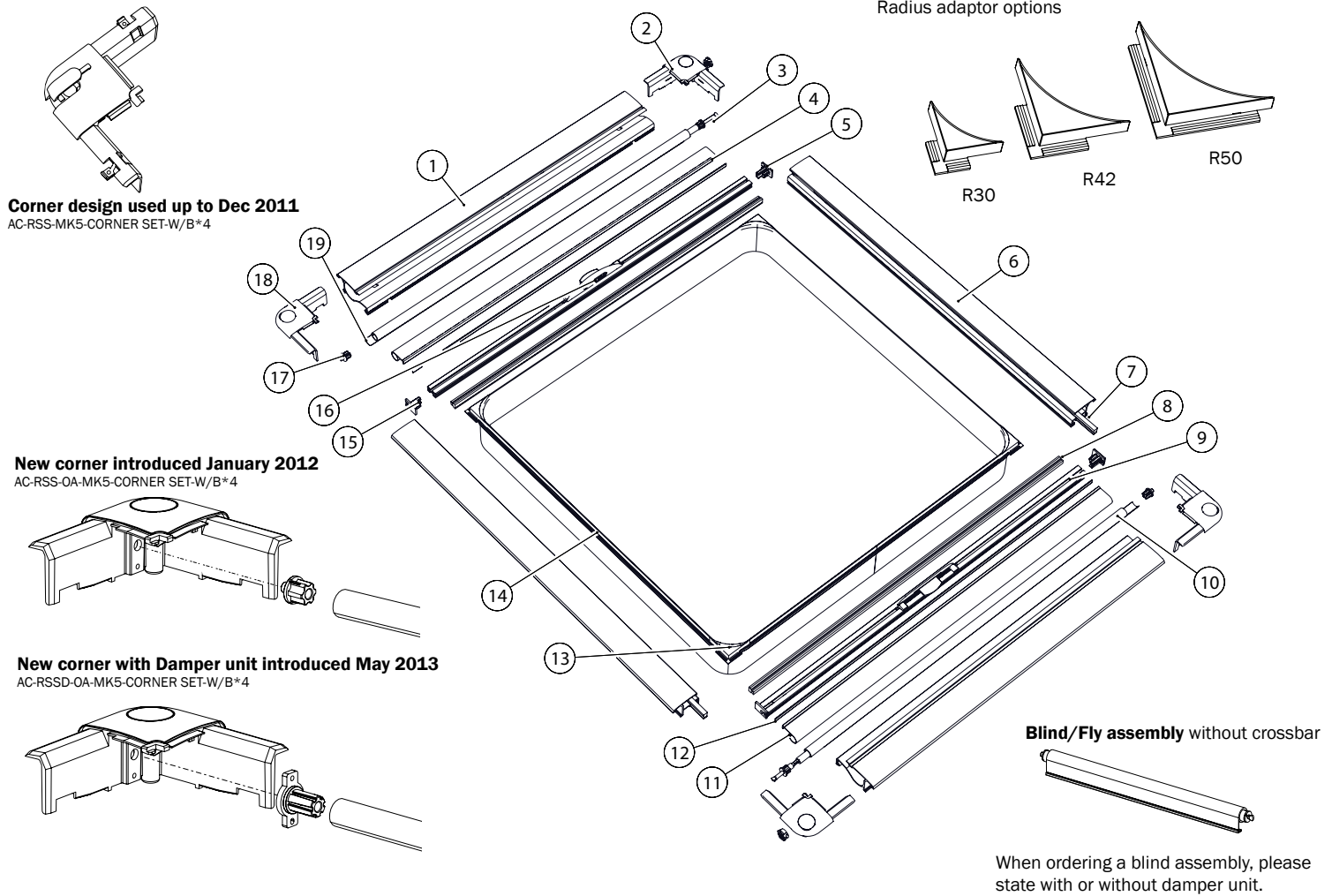


# SKYSCREEN Roller Recessed Mk5 Parts Diagram



## Recommended Spare part Kits

\*\* replace with either standard size number or X/Y dimensions of screen

Oceanair Kit Part No.	Kit Description	Date	Item No's
AC-RSS-**-BLINDASS-fabric	Blind assembly without crossbar, white or beige fabric	≤ May 2012	3, 4, 10, 12, 17, 19
AC-RSS-OA-**-BLINDASS-fabric	Blind assembly without crossbar, white or beige fabric	≥ June 2012	3, 4, 10, 12, 17, 19
AC-RSS-**-FLYASS	Flyscreen assembly without crossbar	≤ May 2012	3, 10, 11, 12, 17, 19
AC-RSS-OA-**-FLYASS	Flyscreen assembly without crossbar	≥ June 2012	3, 10, 11, 12, 17, 19
AC-RSS-MK5-CORNER SET-W/B*4	Corner Assembly <b>white or beige</b> 4 off	≤ Dec 2011	18 - 2 off 2 - 2 off
AC-RSS-OA-MK5-CORNER SET-W/B*4	Corner Assembly <b>white or beige</b> 4 off ( )	≥ Jan 2012	18 - 2 off 2 - 2 off
AC-RSSD-OA-MK5-CORNER SET-W/B*4	Corner Assembly, <b>with damper, white or beige</b> 4 off	≥ May 2013	18 - 2 off 2 - 2 off
AC-RSS-MK5-HANDLE-B/W*2	Handle <b>white or beige</b>	≤ May 2012	16
AC-RSS-OA HANDLE-B/W*2	Handle <b>white or beige</b>	≥ June 2012	16
AC-RSS-MK5-R30-Adaptor-W/B*4	<b>R30</b> Radius adaptor <b>white or beige</b> 4 off		13
AC-RSS-MK5-R42-Adaptor-W/B*4	<b>R42</b> Radius adaptor <b>white or beige</b> 4 off		13
AC-RSS-MK5-R50-Adaptor-W/B*4	<b>R50</b> Radius adaptor <b>white or beige</b> 4 off		13
AC-RSS-MK5-SCREWCAP-W/B*4	Screw Cover <b>white/beige</b> on corners up to Dec 2011	≤ Dec 2011	2 - 2 off, 18 - 2 off (Covers only)
AC-RSS-OA-MK5-SCREWCAP-W/B*4	Screw Cover <b>white/beige</b> on corners from Jan 2012	≥ Jan 2012	2 - 2 off, 18 - 2 off (Covers only)
AC-RSS-MK5-Xbar End-W/B*4	Cross bar endcap <b>white /beige</b>	≤ May 2012	5 - 2 off, 15 - 2 off
AC-RSS-OA-MK5-XBAR END-G*4	Cross bar endcap <b>grey</b>	≥ June 2012	5 - 2 off, 15 - 2 off

## Parts List

Item No.	Description	Item No.	Description	Item No.	Description	Item No.	Description
1	Roller cover	6	Side rail	11	Flyscreen mesh (1 off)	16	Handle with clip
2	RH corner moulding	7	Brush strip	12	Cloth Strip	17	Idle bearing
3	Spring	8	Magnetic strip	13	Radius adaptor (4 off)	18	LH corner moulding
4	Blackout fabric (1 off)	9	Crossbar	14	PVC liner (1 off)	19	Tape
5	RH end cap	10	Roller	15	LH end cap		
<b>All Parts 2 off unless stated</b>							