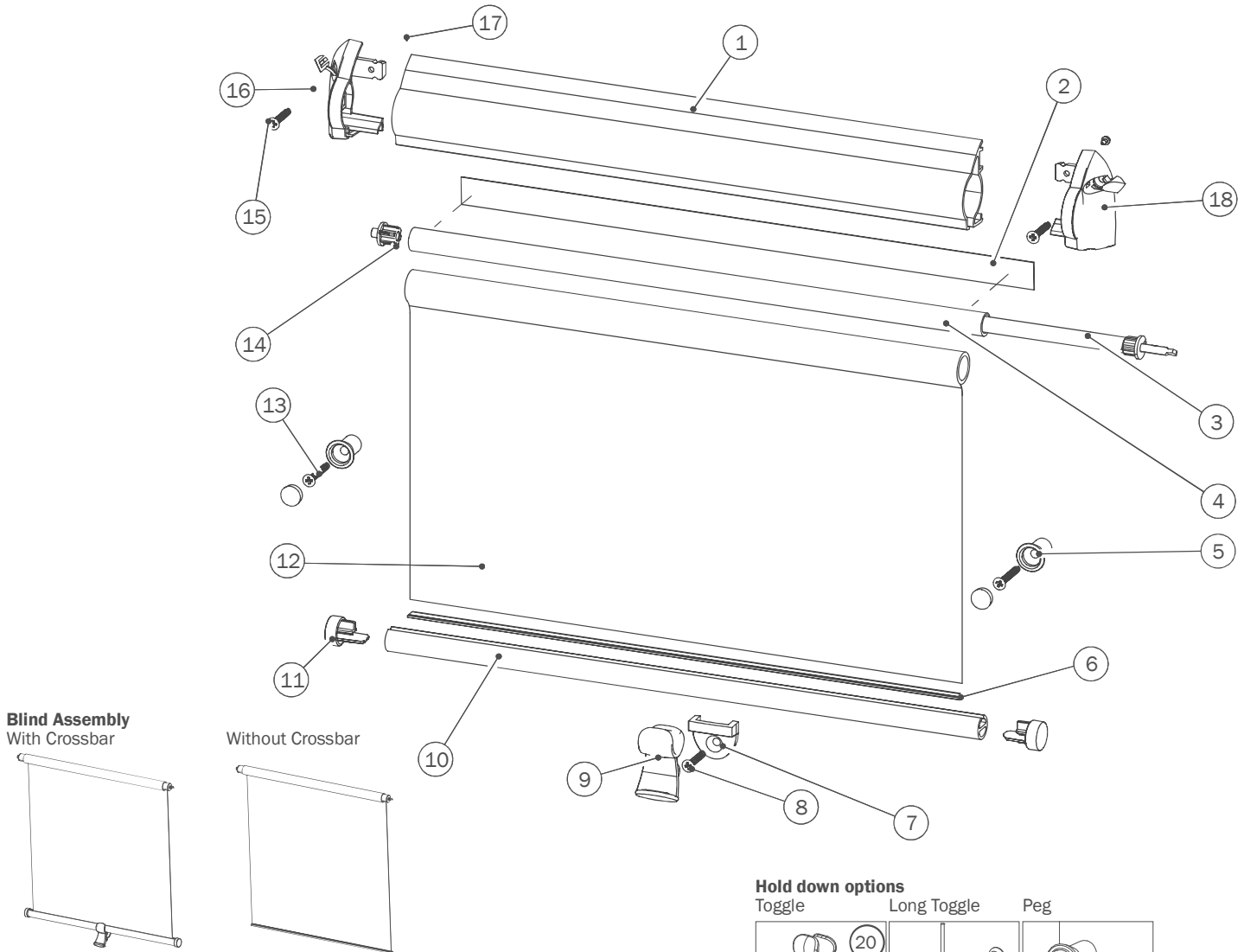
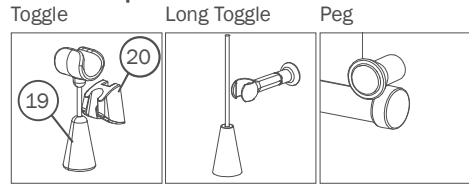


HATCHSHADE2 Exploded Parts Diagram



Hold down options



Recommended Spare part Kits

Blind Assembly

Oceanair Kit Part No.	Kit Description	Item No,s
AC-HSH2-**-BLINDASS+XB	With crossbar	2, 3, 4, 6, 9, 10, 11, 12, 14,
AC-HSH2-**-BLINDASS	Without crossbar	2, 3, 4, 6, 12, 14

** Replace with either standard size number or X/Y dimensions of screen

Roller cover Endcaps

Oceanair Kit Part No.	Kit Description	Item No,s
AC-HSH2-ENDCAP-B/G/W*2	Endcap kit Beige, Grey or White	16,18

Crossbar Endcaps

Oceanair Kit Part No.	Kit Description	Item No,s
AC-HSH2-XBAR ENDCAPS-B/G/W*2	Crossbar endcap Beige, Grey or White	11 (2 off)

Fixing kits

Oceanair Kit Part No.	Kit Description	Item No,s
AC-HSH2-FIXING KIT-B/G/W*2	Fixing kit Beige, Grey or White	5 (2 off) 8, 13 (2 off), 15 (2 off), 19, 20

Toggle

Oceanair Kit Part No.	Kit Description	Item No,s
AC-HSH2-TOGGLE & CORD CATCH SET-B/G/W*2	Toggle Set Beige, Grey or White	8, 19, 20

Item	Description	Qty
1	Roller Cover	1
2	Double sided tape	1
3	Spring A	1
4	Roller	1
5	Peg & Cap	2
6	Tape	1
7	Minigrip Hold Down clip	1
8	Screw No6 x 19mm CSK	1
9	Minigrip Hold Down	1
10	Crossbar	1
11	Crossbar End Cap	2
12	Fabric	1
13	Screw No6 x 25mm CSK	2
14	Idler bearing	2
15	Screw No6 x 19mm	2
16	LH Roller Cover End Cap	1
17	Cover Screws	2
18	RH Roller Cover End Cap	1
19	Toggle	1
20	Toggle Catch	1