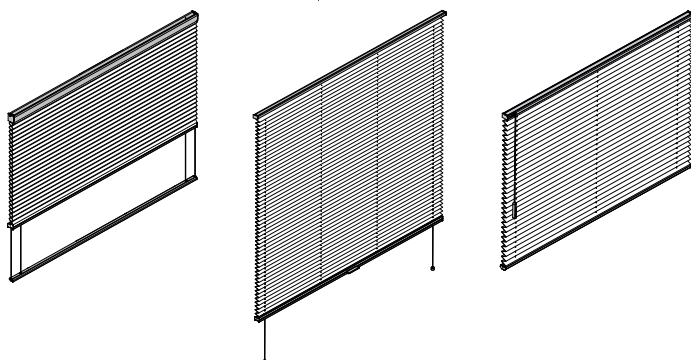


↔ DOMETIC

WINDOWS, DOORS & LIGHTS

SKYSOL CLASSIC & HONEYCOMB



Skysol Classic & Honeycomb Manual/Powered

EN	Blind Installation and Operating Manual 3	NO	Persienner Monterings- og bruksanvisning 275
DE	Jalousie Montage- und Bedienungsanleitung 37	FI	Verhot Asennus- ja käyttöohje 309
FR	Stores Instructions de montage et de service 71	ZH	百葉簾 安裝和使用說明書 343
ES	Persianas Instrucciones de montaje y de uso 105		
IT	Oscuranti Istruzioni di montaggio e d'uso 139		
NL	Verduisteringsgordijnen Montagehandleiding en gebruiksaanwijzing 173		
DA	Gardiner Monterings- og betjeningsvejledning 207		
SV	Rullgardiner Monterings- och bruksanvisning 241		

© 2023 Dometic Group. The visual appearance of the contents of this manual is protected by copyright and design law. The underlying technical design and the products contained herein may be protected by design, patent or be patent pending. The trademarks mentioned in this manual belong to Dometic Sweden AB. All rights are reserved.

Please read these instructions carefully and follow all instructions, guidelines, and warnings included in this product manual in order to ensure that you install, use, and maintain the product properly at all times. These instructions **MUST** stay with this product.

By using the product, you hereby confirm that you have read all instructions, guidelines, and warnings carefully and that you understand and agree to abide by the terms and conditions as set forth herein. You agree to use this product only for the intended purpose and application and in accordance with the instructions, guidelines, and warnings as set forth in this product manual as well as in accordance with all applicable laws and regulations. A failure to read and follow the instructions and warnings set forth herein may result in an injury to yourself and others, damage to your product or damage to other property in the vicinity. This product manual, including the instructions, guidelines, and warnings, and related documentation, may be subject to changes and updates. For up-to-date product information, please visit documents.dometic.com.

Contents

1	Explanation of symbols	3
2	Safety instructions	4
3	Scope of delivery	7
4	Accessories	8
5	Intended use	9
6	Technical description	9
7	Installation	10
8	Operation	30
9	Cleaning and maintenance	32
10	Troubleshooting	33
11	Warranty	34
12	Disposal	36

1 Explanation of symbols



WARNING!

Safety instruction: Indicates a hazardous situation that, if not avoided, could result in death or serious injury.



CAUTION!

Safety instruction: Indicates a hazardous situation that, if not avoided, could result in minor or moderate injury.

**NOTICE!**

Indicates a situation that, if not avoided, can result in property damage.

**NOTE**

Supplementary information for operating the product.

2 Safety instructions



WARNING! Failure to obey these warnings could result in death or serious injury.

Electrocution hazard (only for powered blinds)

- Do not operate the device if it is visibly damaged.
- If the power cable for this device is damaged, it must be replaced by the manufacturer, customer service or a similarly qualified or competent person in order to prevent safety hazards.
- Inadequate repairs may cause serious hazards.
- Disconnect the blind from the power supply before carrying out any maintenance.

Health hazard

- Important safety instructions. It is important for the safety of persons to follow these instructions. Save these instructions.
- This device can be used by children aged from 8 years and above and persons with reduced physical, sensory or mental capabilities or lack of experience and knowledge if they have been given supervision or instruction concerning use of the device in a safe way and understand the hazards involved.
- Children shall not play with the device.
- Cleaning and user maintenance shall not be made by children without supervision.
- Blinds should be stowed before maneuvering to ensure no restriction of the driver vision.

- **Only for powered blinds:**

- Do not fit powered blinds to escape hatches.
- Modification of the design or configuration of the equipment without express permission of the manufacturer may create a dangerous situation.
- Do not allow children to play with the control device of the internal blind. Keep remote controls away from children.
- Frequently examine the installation for signs of wear or damage to cables. Do not use if repair is necessary.
- Do not operate when maintenance, such as window cleaning, is being carried out in the vicinity.

Strangulation hazard



- Young children can be strangled by loops in pull cords, chains, tapes and inner cords that operate the product.
- To avoid strangulation and entanglement, keep cords out of the reach of young children. Cords may become wrapped around a child's neck.
- Move beds, cots and furniture away from window covering cords.
- Do not tie cords together. Ensure that cords do not twist and create a loop.

Suffocation hazard

- This device contains small parts. Keep it away from children under 3 years.
- The packaging includes plastic bags. Keep them away from children under 3 years.



CAUTION! Failure to obey these cautions could result in minor or moderate injury.

Risk of injury


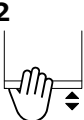
- The device must only be installed, removed or repaired by qualified or competent person using suitable fastening material.
- Take reasonable precaution when installing the blind and wear appropriate personal protective equipment.
- **Only for boats and yachts:** If the blind is in front of an open window, then the blind should be stowed when driving at more than 10 knots or in a sea state of more than moderate, as this can cause damage to the blind. Parts that come loose may injure persons in the vicinity.

**NOTICE!****Damage hazard**

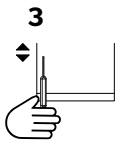
- Blinds should be stowed completely when boat or vehicle is under way.
- Use screws and plugs suitable for the wall construction to fix the blind.
- Ensure that you do not drill through the wall.
- Ensure that your hands are clean or wear suitable gloves to avoid marking the fabric.
- **Only for powered blinds:**
 - Check that the voltage specification on the cable label is the same as that of the power supply.
 - Only use cables with a suitable cross-section.

3 Scope of delivery

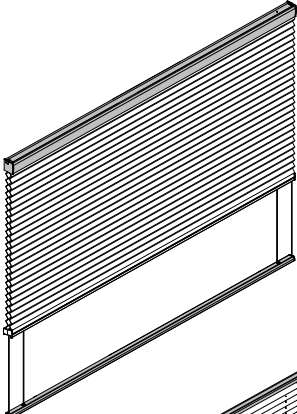
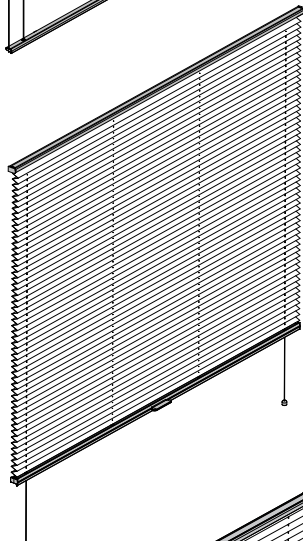
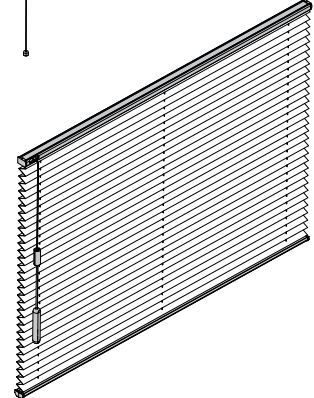
1


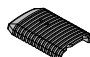






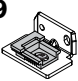
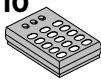
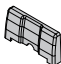
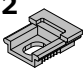

2

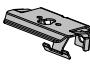




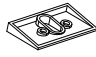

3

4 	5 
6 	7 

8 	9 
10 	11 
12 	13 2x 

14 	15 
16 	

17 	18 
--	--

Item in fig. 1	Quantity	Description
1 – 3	1	Blind unit Design depending on the model, e.g. powered or manual, free-hanging or tensioned, version with 2 bars or version with 3 bars
4	depending on blind size	Head rail bracket for powered blind
5	depending on blind size	L bracket cover (optional for face fix)
6	depending on blind size	Bracket set for 3 bar version (optional for face fix)
7	depending on blind size	Bracket set for 3 bar version (optional for recess fix)
8, 14	depending on blind size	Head rail bracket for manual blinds
9	depending on blind size	Footplate base
10	2	Footplate (optional for face and recess fix, only for version with 2 bars)
11	depending on blind size	L bracket cover
12	depending on blind size and angle	Footplate base (optional for recess fix, only for version with 2 bars)
13	1	Dome hold down set (optional for 2 bar version, attached to supplied blind)
15	1	Wand/acorn
16	1	Holder for release handle
17 – 18	optional	Spacers to level blind (optional)

4 Accessories

Accessories are available using the separate order form. You can find your authorized customer service center at dometic.com.

5 Intended use

The blind is suitable for:

- Installation in yachts and boats
- Installation in caravans and motor homes

The design and size of the blinds are custom-made. The fabric of the blinds is cut to fit the customer's specifications.

The blinds are designed for interior use only and should not be installed in bathrooms, wet rooms or other locations with a high level of humidity.

This product is only suitable for the intended purpose and application in accordance with these instructions.

This manual provides information that is necessary for proper installation and/or operation of the product. Poor installation and/or improper operating or maintenance will result in unsatisfactory performance and a possible failure.

The manufacturer accepts no liability for any injury or damage to the product resulting from:

- Incorrect assembly or connection, including excess voltage
- Incorrect maintenance or use of spare parts other than original spare parts provided by the manufacturer
- Alterations to the product without express permission from the manufacturer
- Use for purposes other than those described in this manual

Dometic reserves the right to change product appearance and product specifications.

6 Technical description

The blind is available in different operating types:

- Manual, tensioned
- Manual, free-hanging
- Powered, tensioned
- Powered, free-hanging

Tensioned models require a fixation of the cords at the opposite site of the head rail:

- Brackets holding the version with 3 bars
- Hold down options holding the version with 2 bars

**NOTE**

After delivery, the blind type and the scope of delivery should be checked according to the order confirmation. The number on the product label indicating the blind type is located on the back of the head rail. Shaped handed pairs can look similar.

7 Installation

**CAUTION! Risk of injury**

Important safety instructions. Follow all instructions since incorrect installation can lead to severe injury.

7.1 Installing the head rail

**WARNING!**

Powered blinds: Disconnect the power supply before you begin and ensure that it can not be reconnected until installation has been completed.

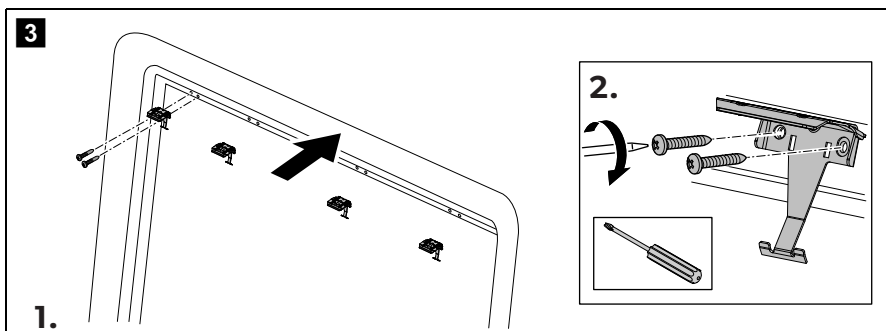
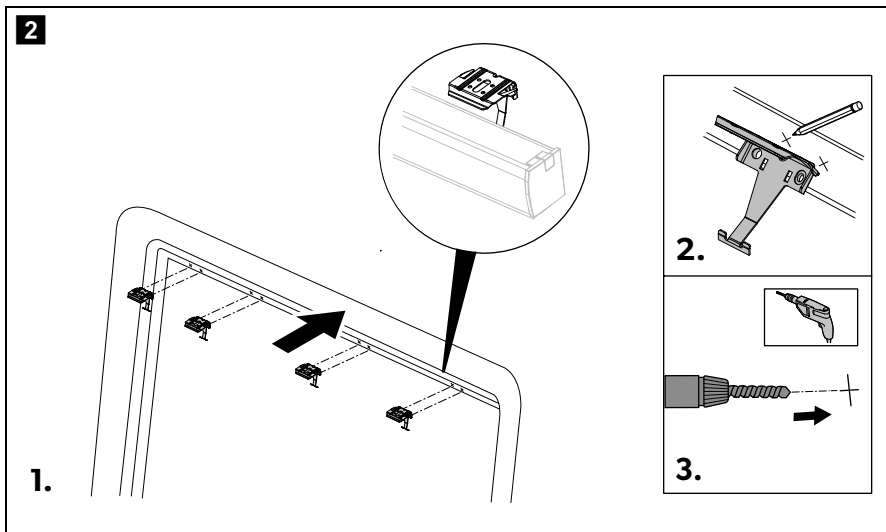
The blind can be fitted face fixed in front of a wall or recess fixed in a wall recess or to the ceiling. The head rail can be fitted to the top or to the bottom of the window. There are different head rails for powered blinds and manual blinds.

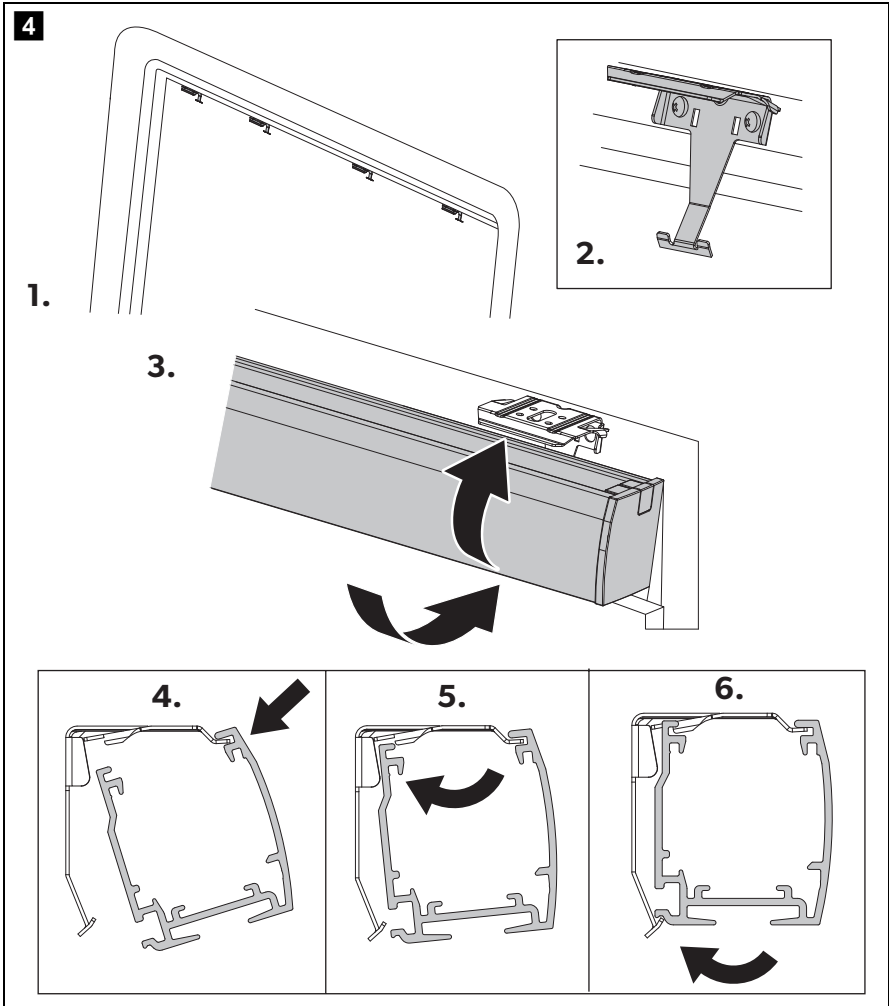
Depending on the space in the installation location, the sequence of installing the blind components may vary (e.g. to fit the bottom bar first).

**NOTE**

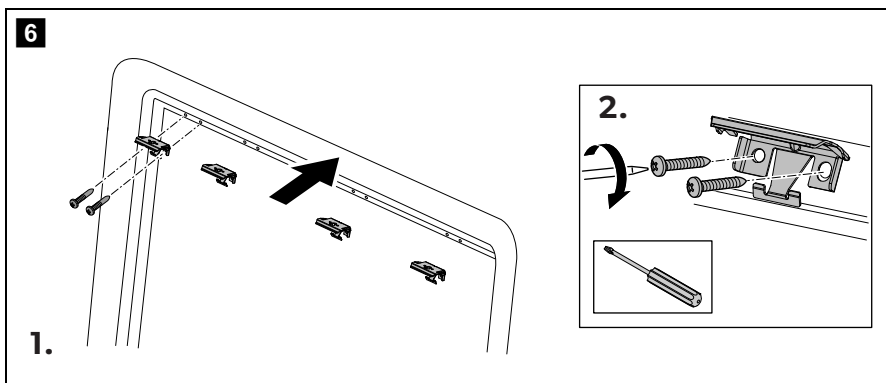
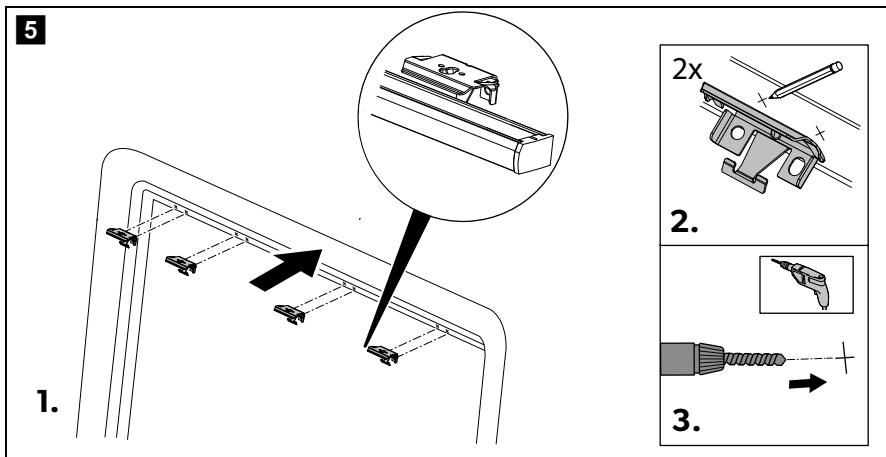
Ensure enough room behind the brackets to be able to access the release clip.

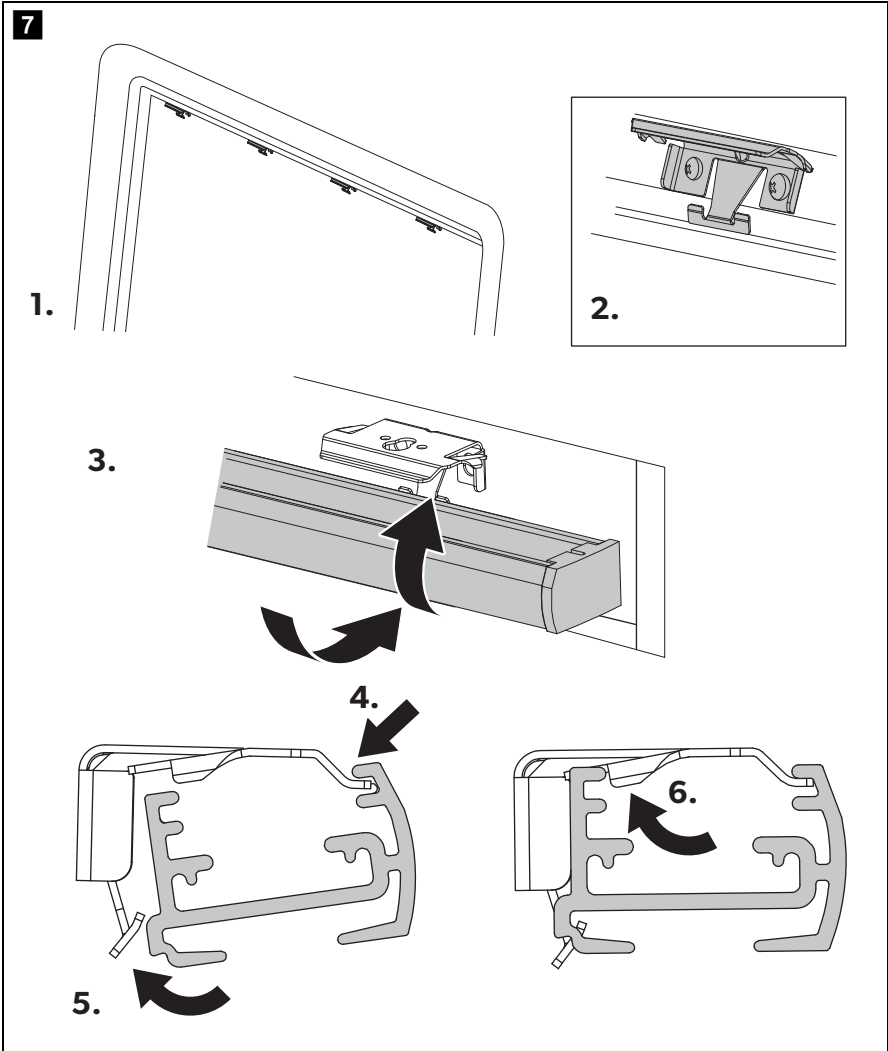
Face fixed powered head rail



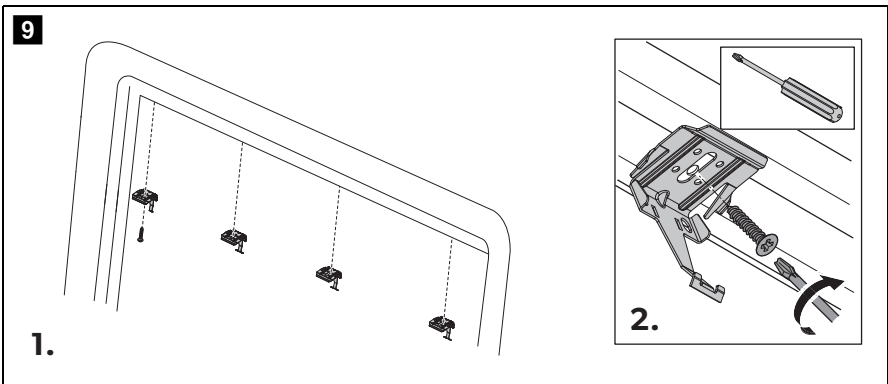
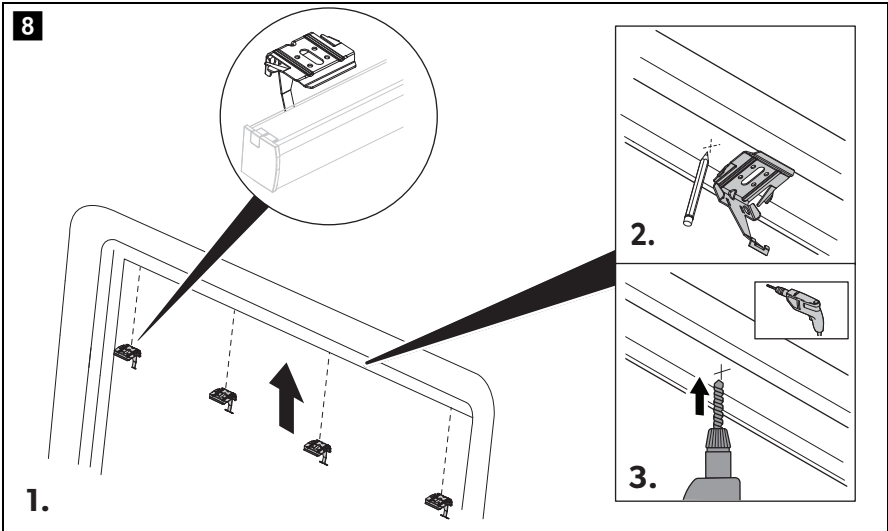


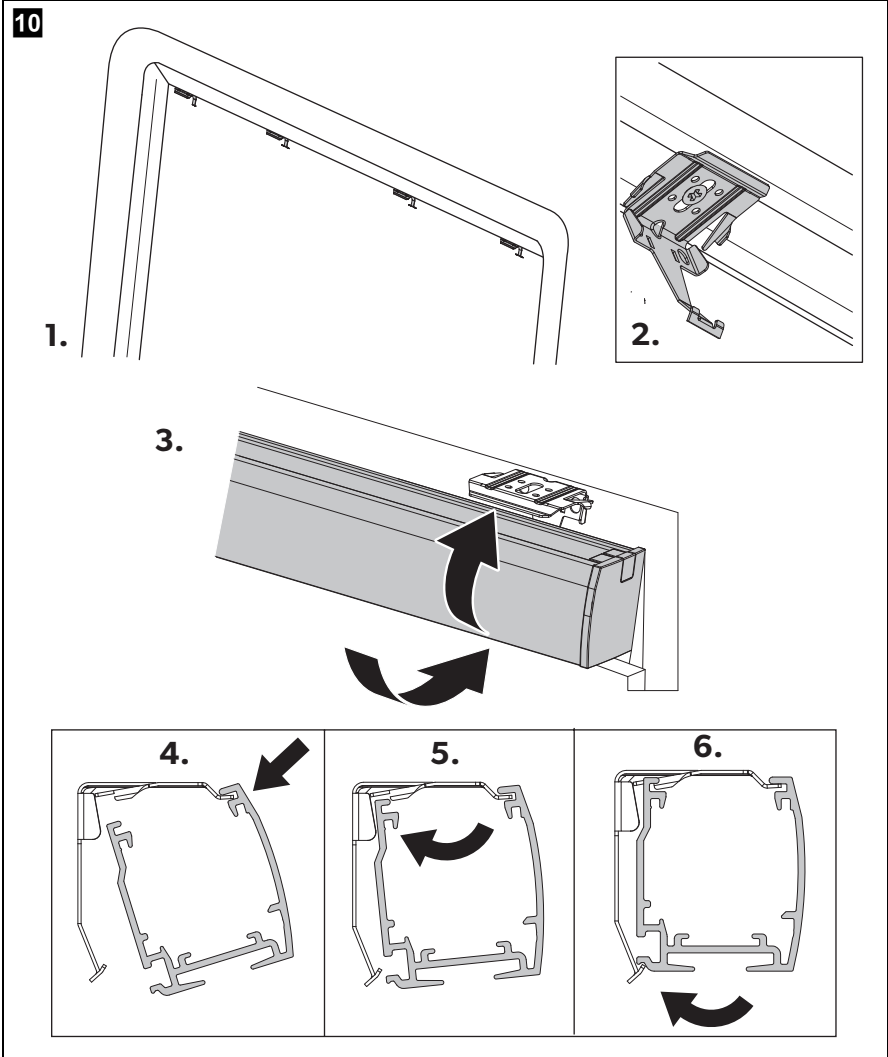
Face fixed manual head rail



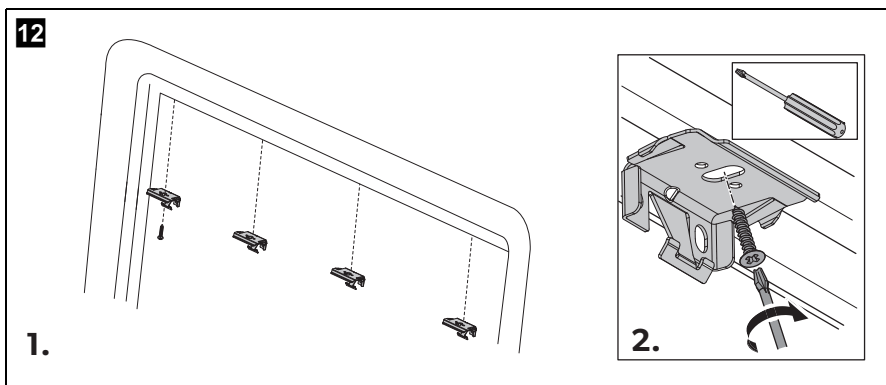
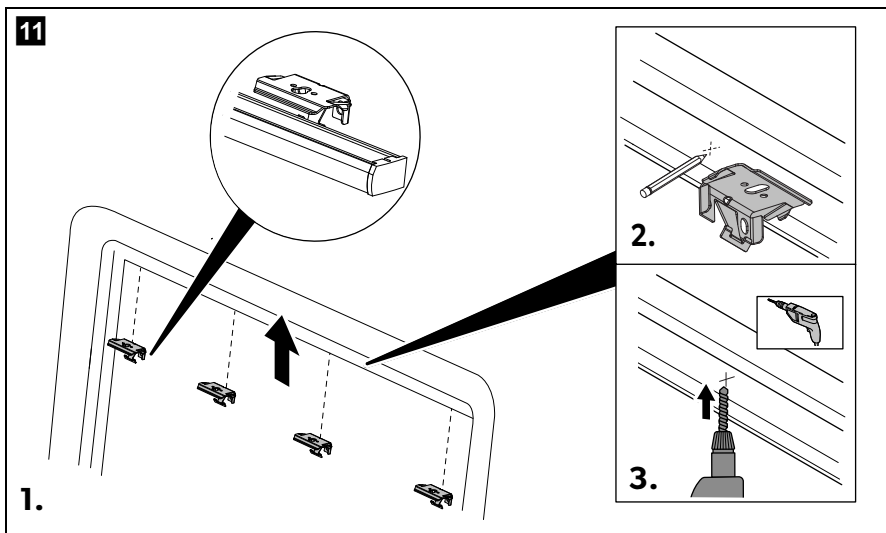


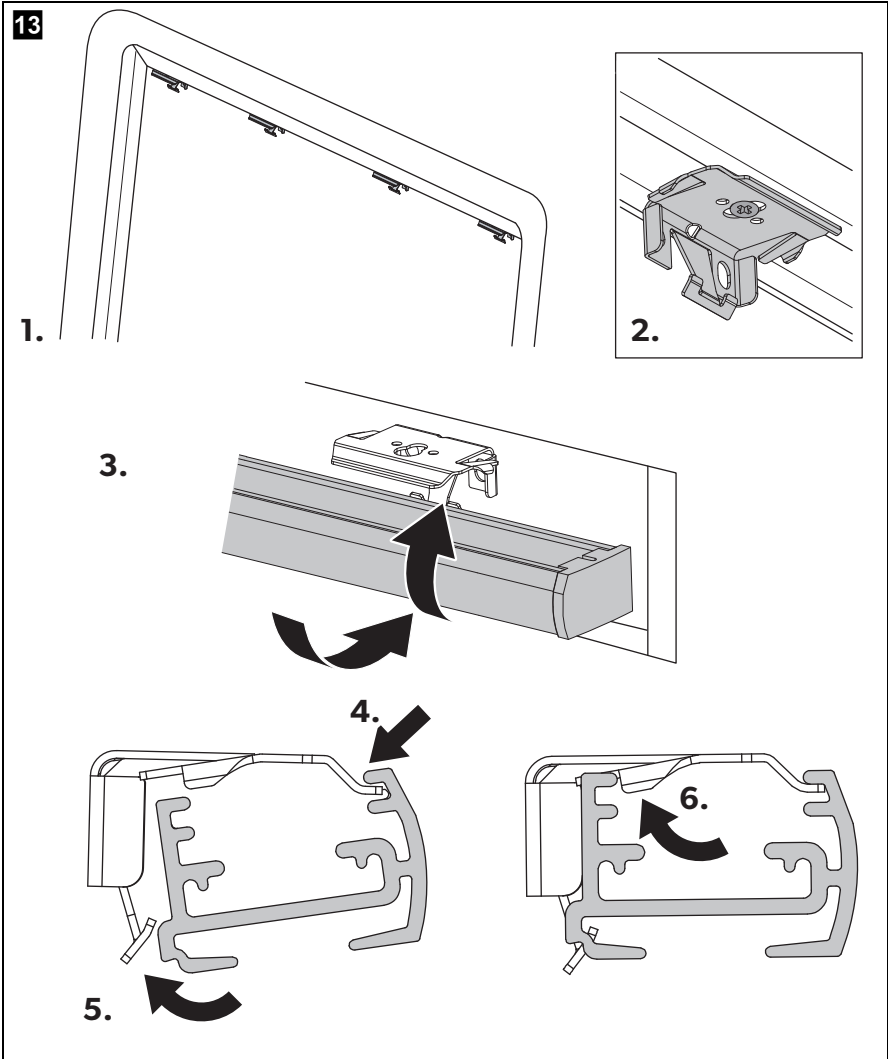
Recess fixed powered head rail





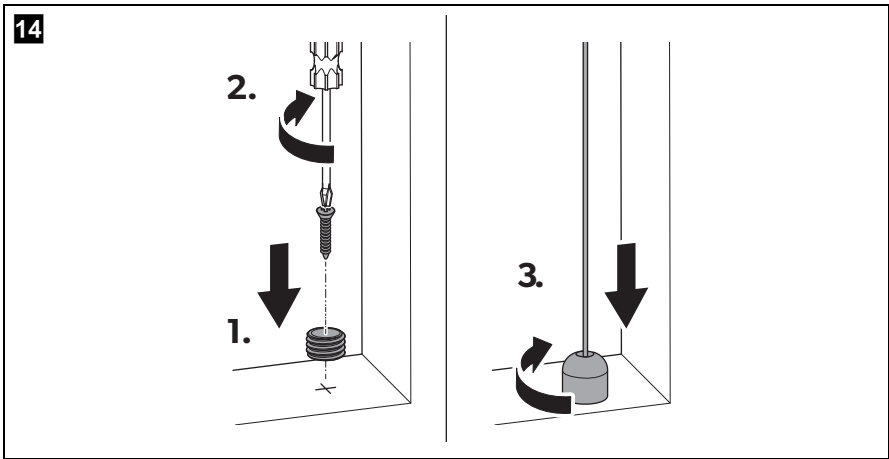
Recess fixed manual head rail



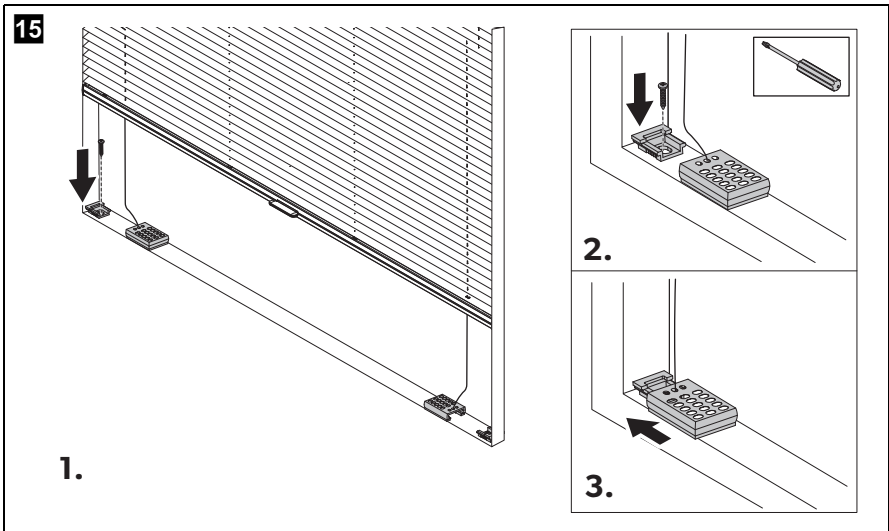


7.2 Fixing the hold downs

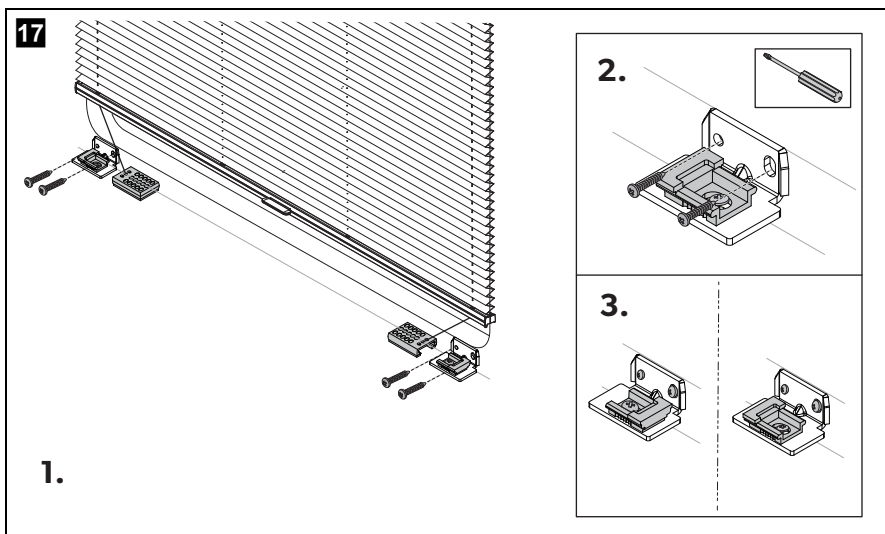
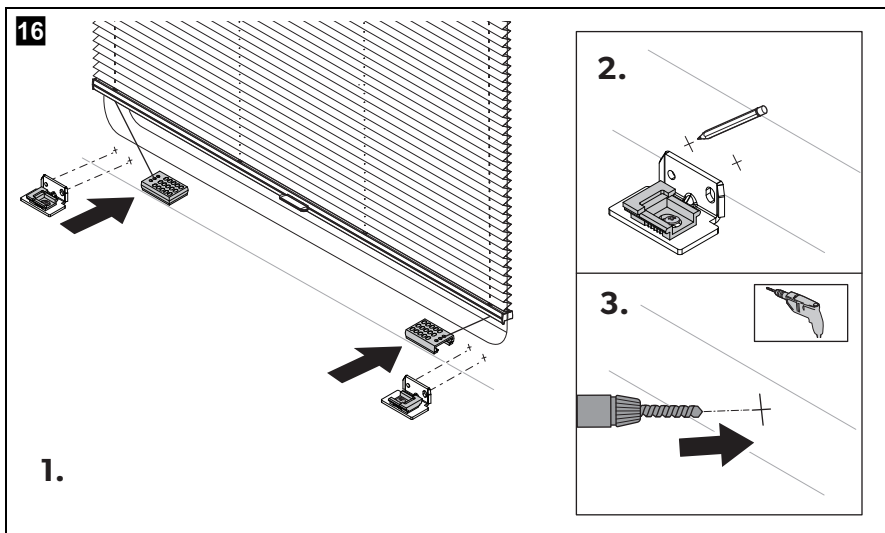
Dome hold down recess

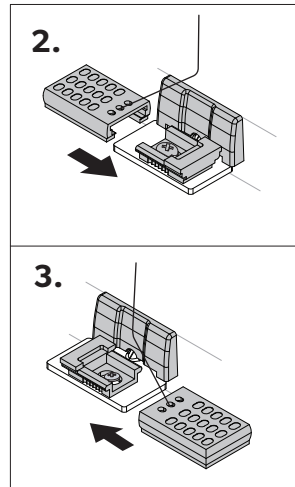
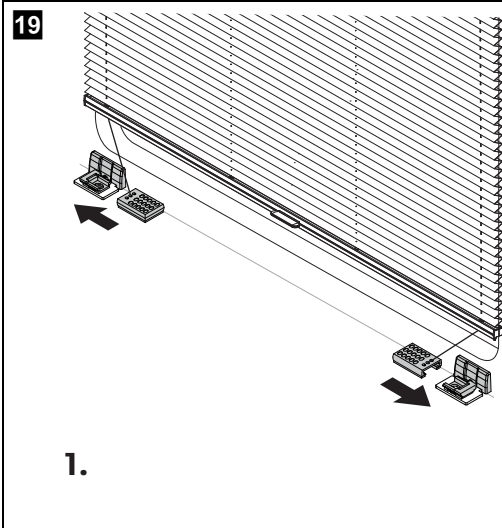
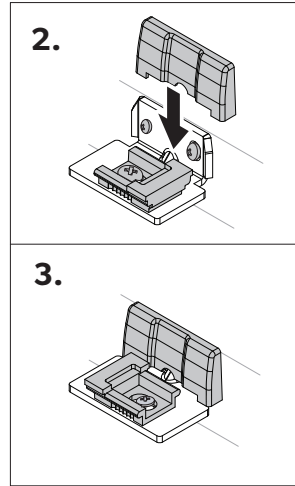
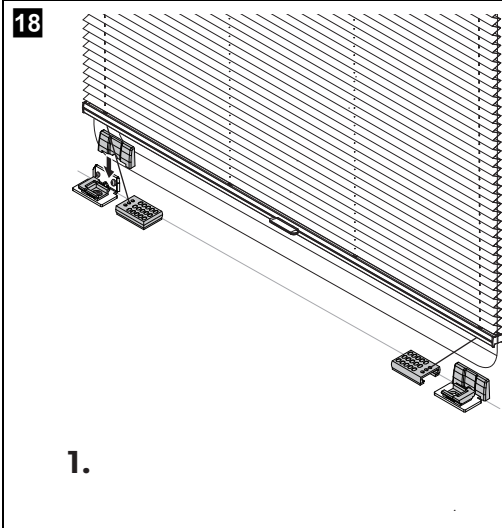


Footplate bottom fixed recess



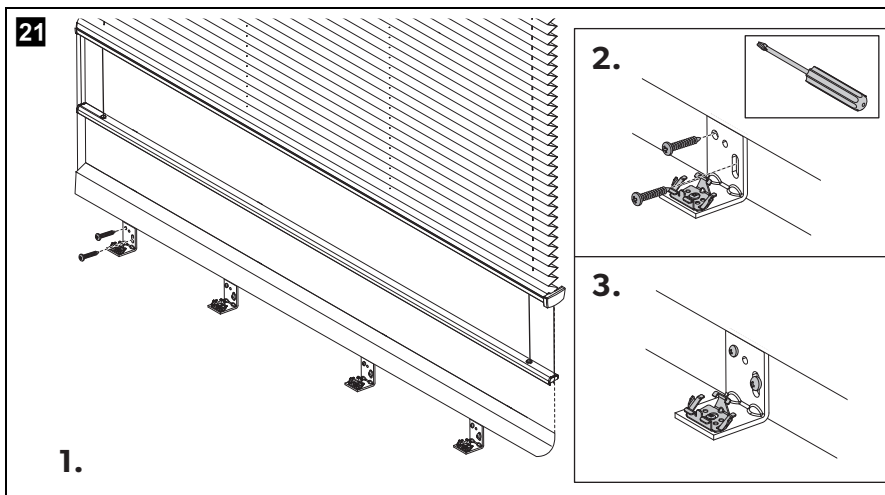
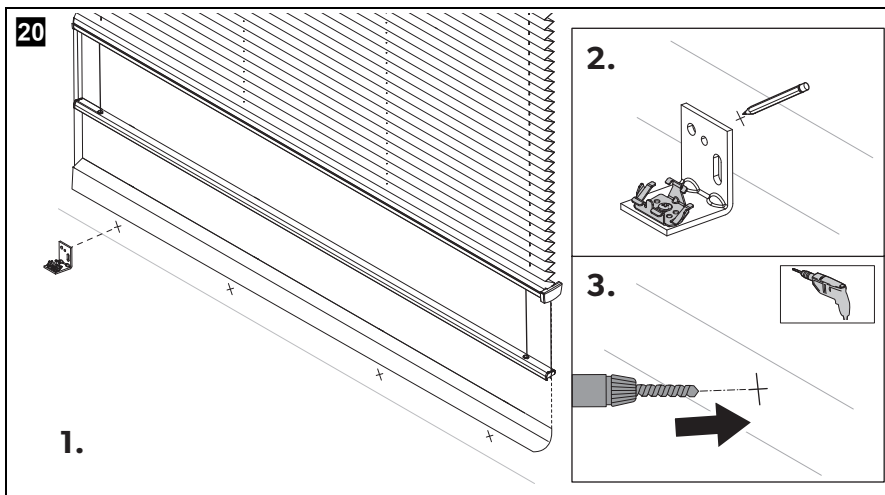
Footplate face fixed

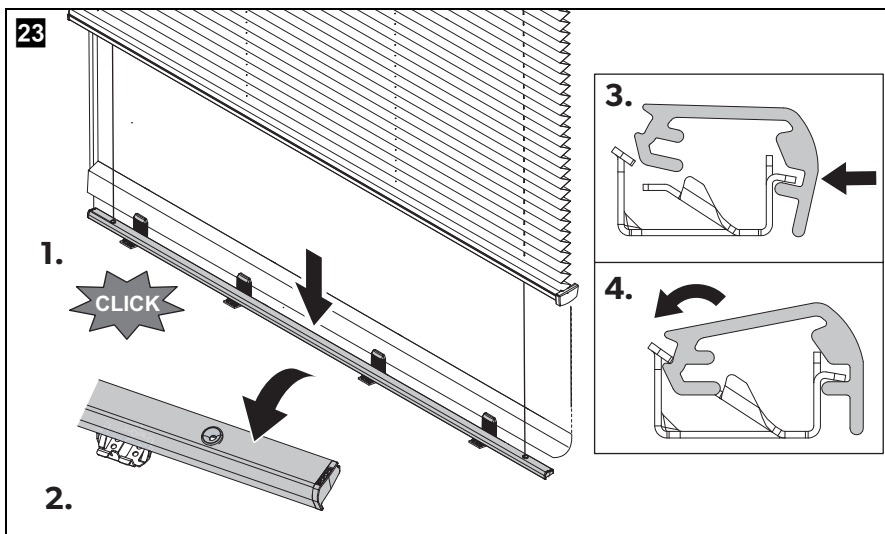
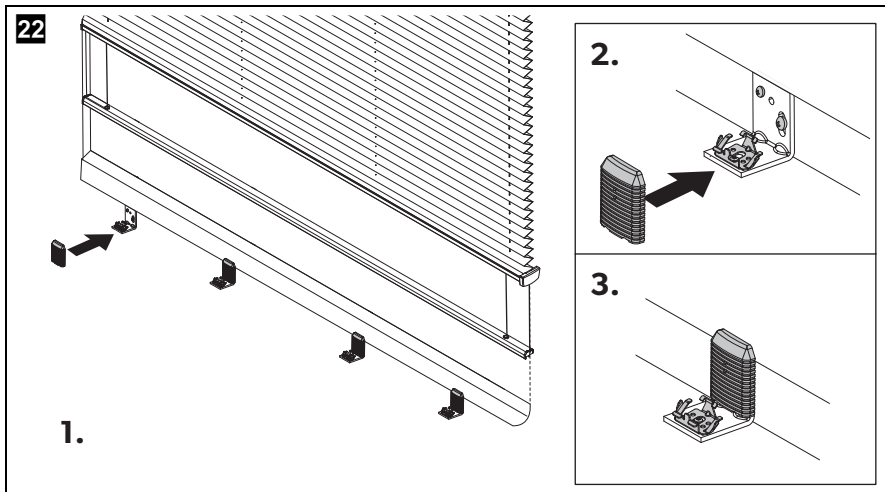




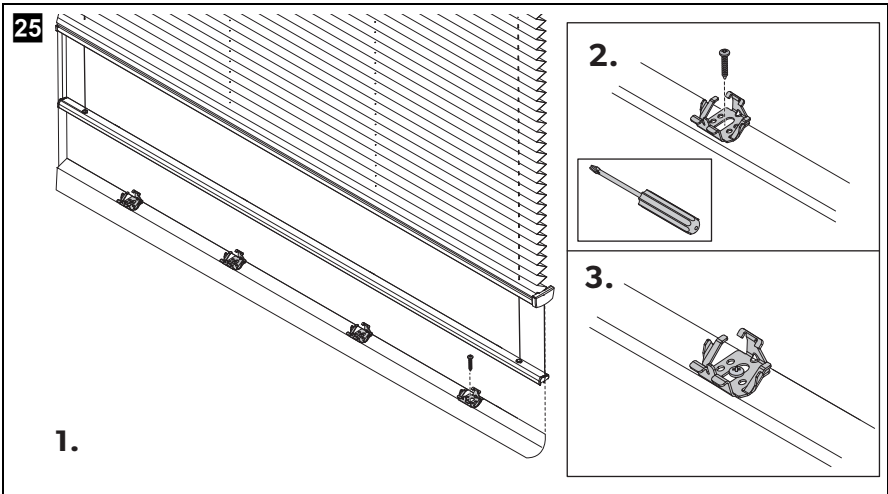
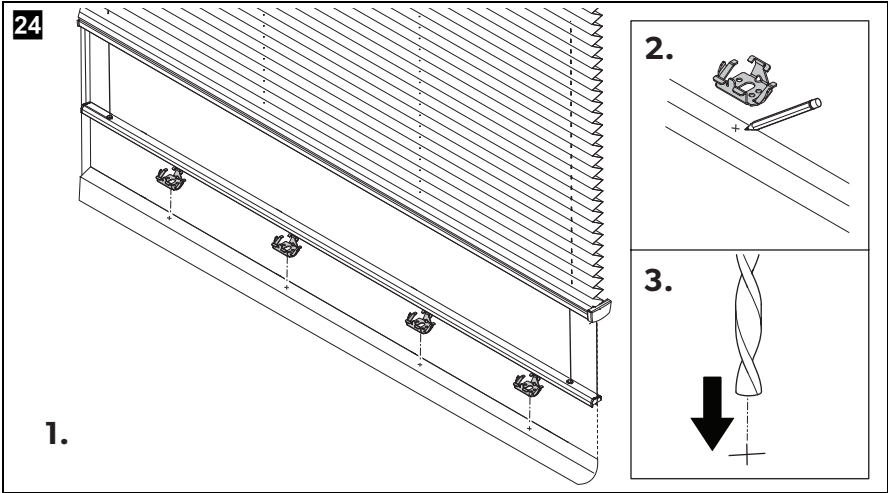
7.3 Fixing the bottom bar

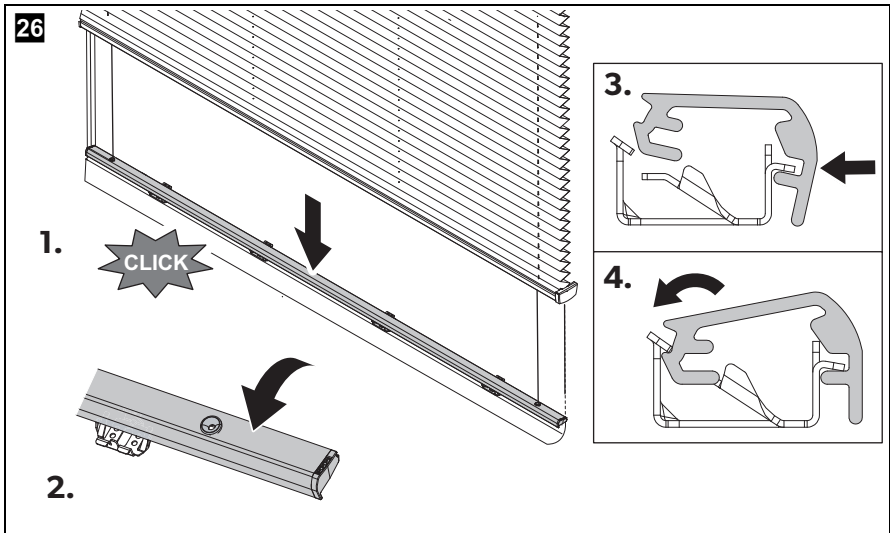
Bottom bar face fixed



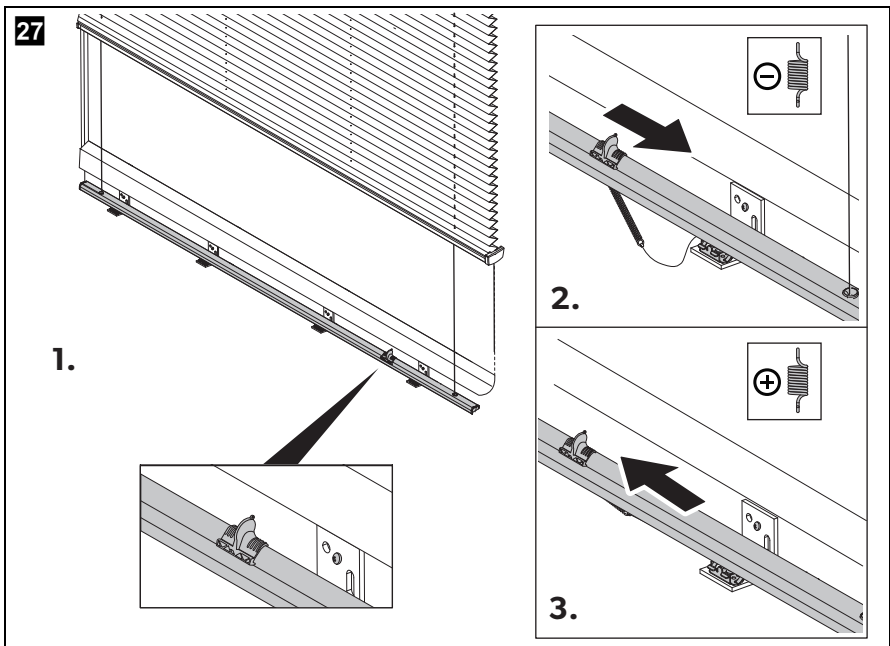


Bottom bar recess fixed





7.4 Tensioning the cords (only with optional Quick Tensioner)



7.5 Connecting the blinds (only for powered blinds)

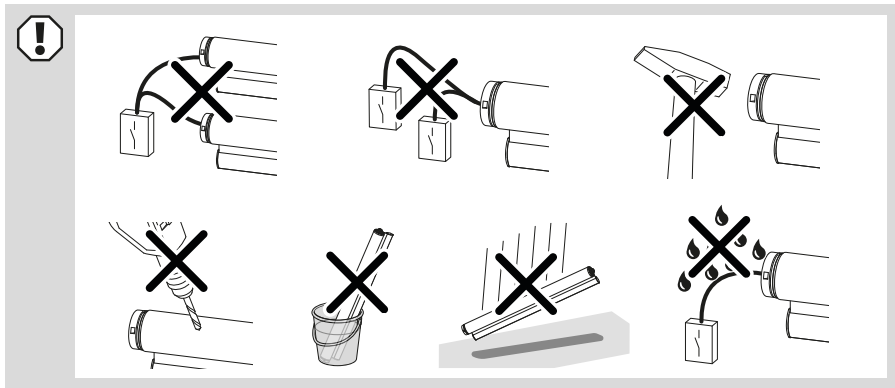


The electrical power supply must be connected by a qualified electrician who has demonstrated skill and knowledge related to the construction and operation of electrical equipment and installations, and who is familiar with the applicable regulations of the country in which the equipment is to be installed and/or used, and has received safety training to identify and avoid the hazards involved.

The powered blinds are available for a connection to a 12/24 V $\overline{=}$ power supply. The data plate on the head rail provides important information on the specifications of the motor specific to the blind.

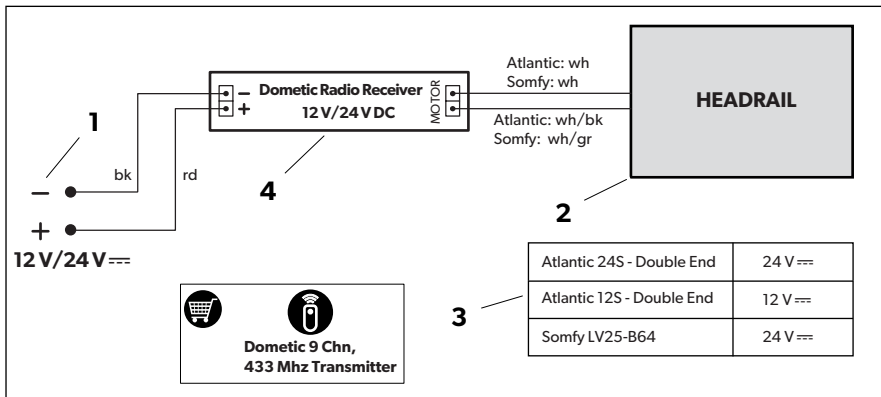
The following notes must be observed when connecting the blinds:

- Ensure cables are not damaged during installation. Routings of cables through walls or bulkheads must be protected and insulated by appropriate bushing, grommets or cable conduits.
- Ensure that a 12 V or 24 V stabilized power supply line is available for the drive at the point of installation. The power supply line is suitably arranged and protected.
- The product must be connected to the correct power supply as specified on the product label. The motor in the product is designed to cut out when a set current is exceeded but the supply should be fused to protect the wiring to the product.
- Secure all cables to prevent any contact with moving parts.
- Only use power supply units and control elements recommended by the manufacturer to prevent damage or faults during operation caused by incompatible electrical components.
- Control devices (e.g. switches) must be installed in visible locations.
- One regulated power supply of the required specification is required per motor as failure to do so may cause the motor to function improperly.
- Any adjustment of set stop positions should only be made using the method specified for the motor type to avoid damage to the motor.

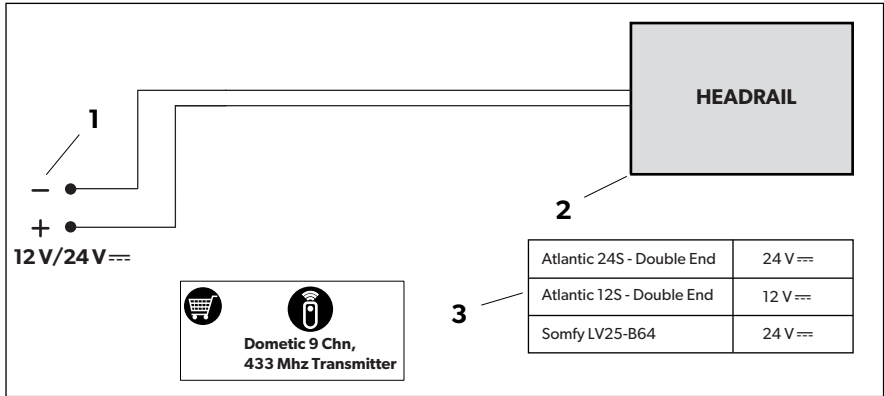


► Connect the motor as shown in the wiring diagrams.

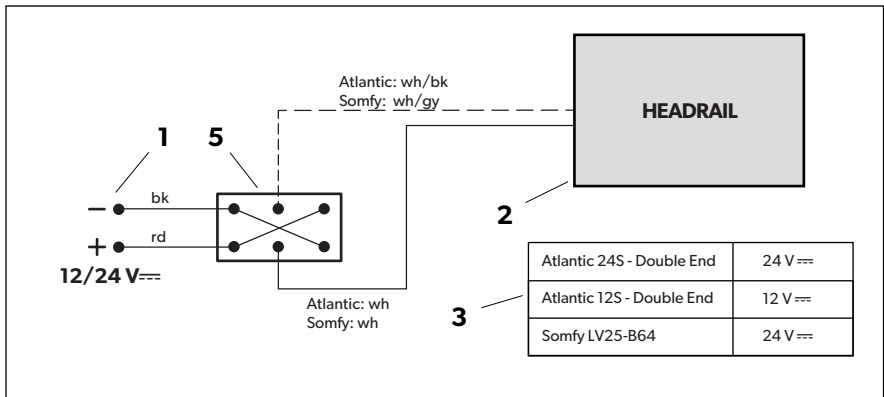
Dometic Radio Controlled Blind External Receiver



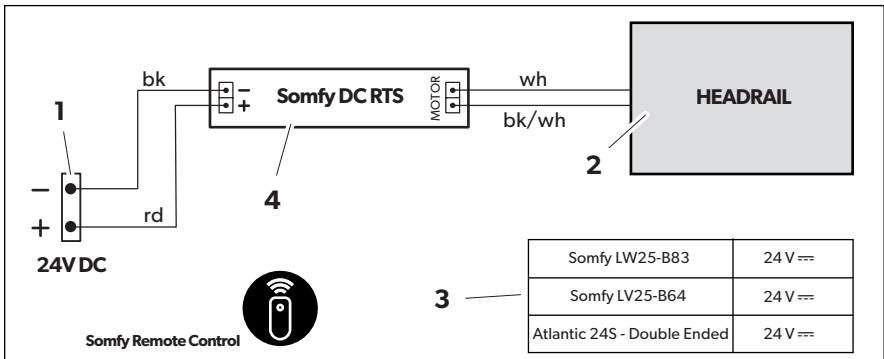
Dometic Radio Controlled Blind Internal Receiver



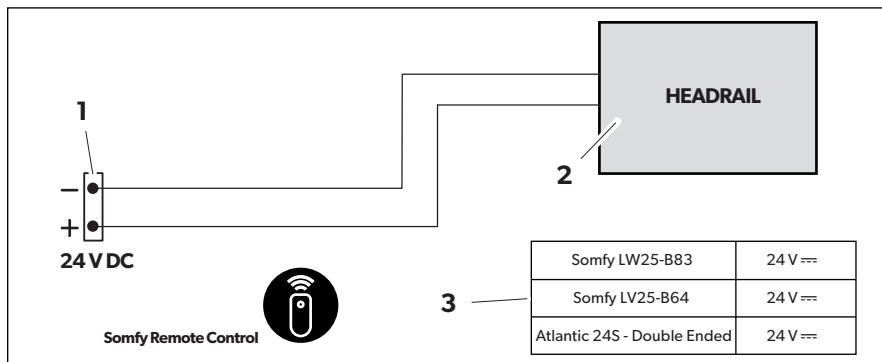
Manually Switched Blind



Somfy RTS Controlled Blind External Receiver



Somfy RTS Controlled Blind Internal Receiver



Key to wiring diagrams

Pos.	Description
1	Power supply
2	Head rail
3	Head rail motor options
4	External receiver
5	Customer supplied DPDT switch (double pole, double throw), center off, latching or momentary, 12/24 V---, 3 A
bk	black
rd	red
gy	gray
wh	white



NOTE

- Accessories are available using the separate order form.
- Observe the applicable documents for the controls and the operating elements.

8 Operation



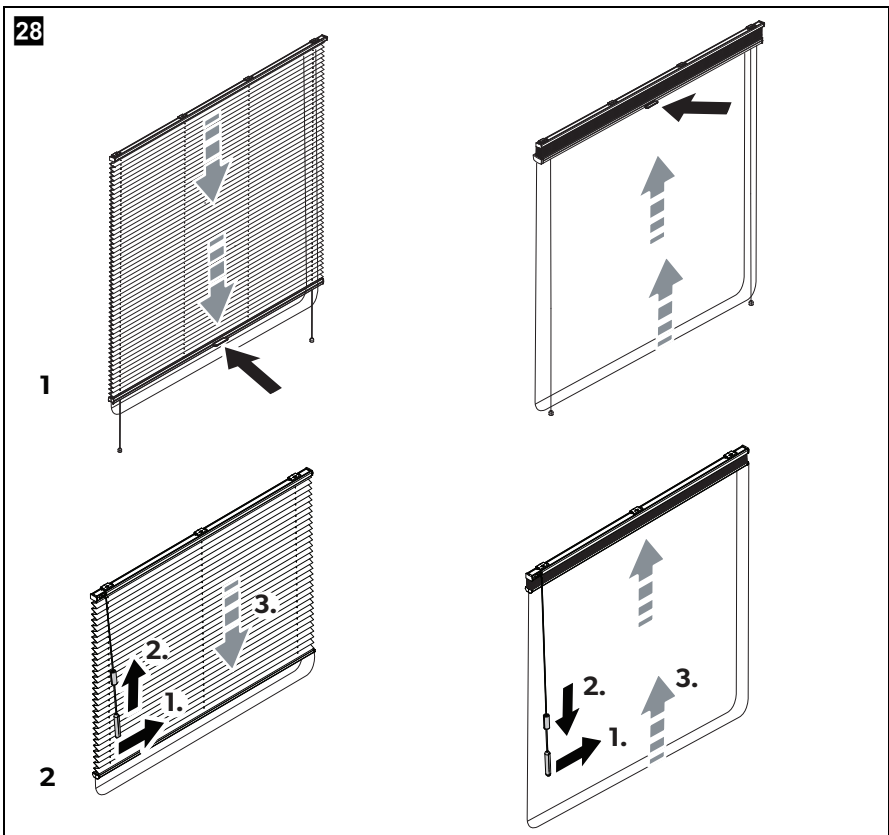
CAUTION! Risk of injury

Only for boats and yachts: If the blind is in front of an open window, then the blind should be stowed when driving at more than 10 knots or in a sea state of more than moderate, as this can cause damage to the blind. Parts that come loose may injure persons in the vicinity.

8.1 Operating manual blinds

The blind can be moved to any position by the handle.

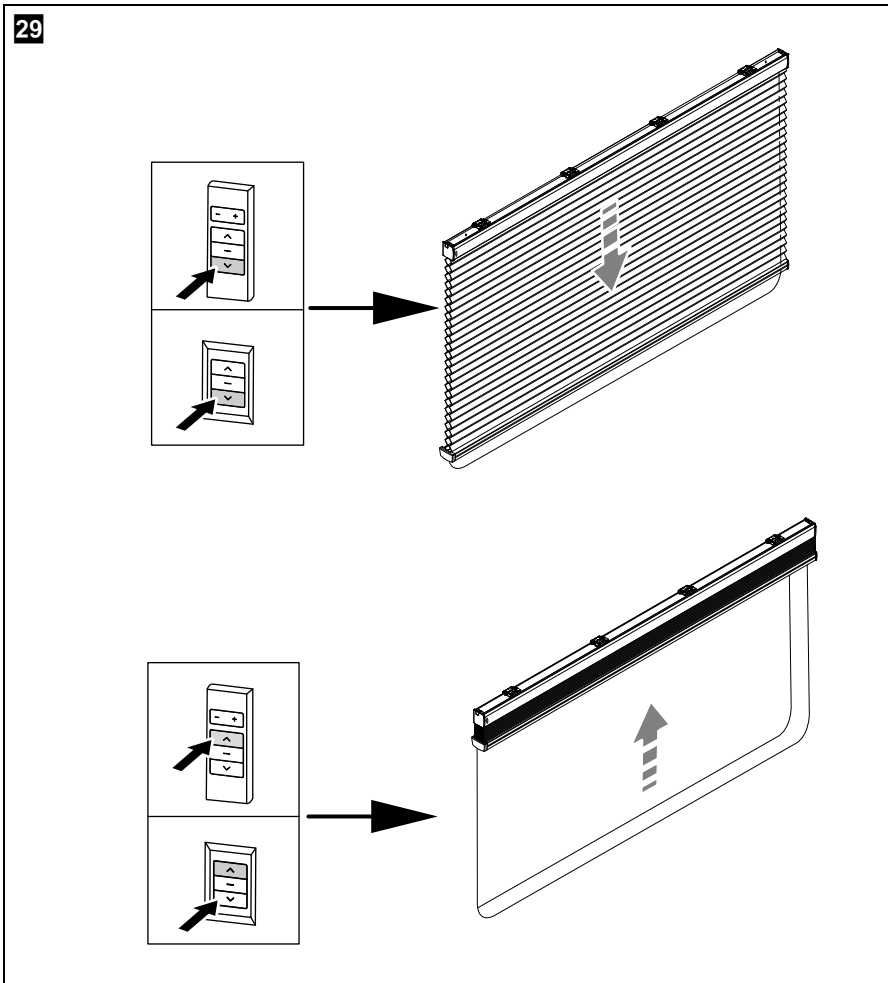
► Proceed as shown to operate the manual blind.



8.2 Operating powered blinds

Observe the following notes:

- Each blind can be stopped in any position.
 - When operating the blind with an automation system, operation depends on the programming of the controls.
 - The blind is set up in the factory to automatically stop:
 - When the blind is fully deployed
 - When the blind is fully stowed
- Proceed as shown to operate the powered blind.



**NOTE**

The motors have a built-in, self resetting thermal cut-out for safety reasons. Prolonged use or over loading the blind could trigger the cut-out. If this happens allow the motor to cool for up to half an hour.

9 Cleaning and maintenance

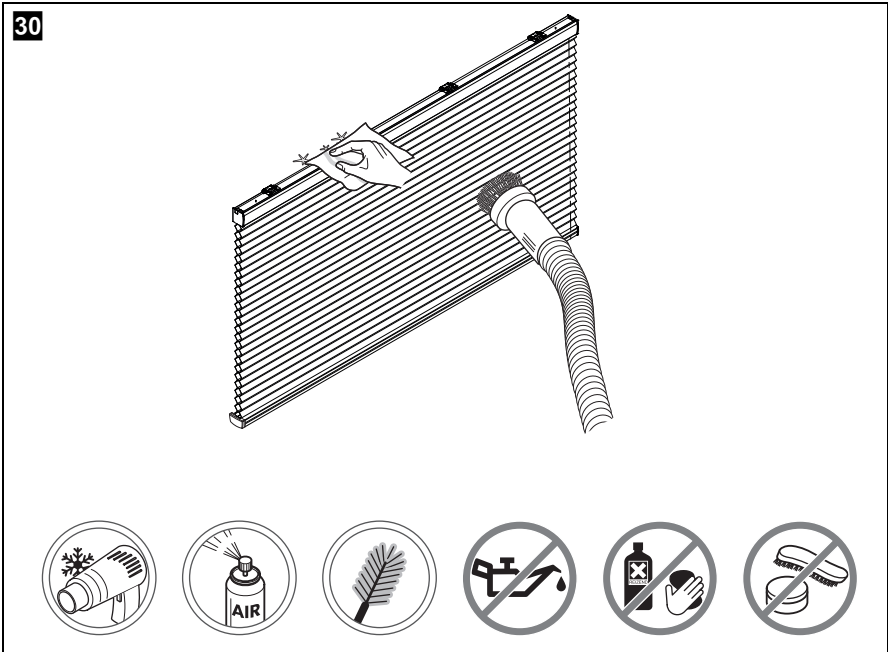
**WARNING! Risk of injury**

Powered blinds: Take appropriate organizational measures for preventing operation of the blind when maintenance, such as window or wall cleaning, is being carried out in the vicinity, for blinds, which can be operated from a position without the blind in view.

**NOTICE! Damage hazard**

- Do not grease, oil or lubricate the blind. Lubricants will damage the fabric.
- Rubbing can damage the fabrics.
- Spot-cleaning may result in cleaner areas than the surrounding.
- Do not soak the blinds.
- The manufacturer recommends testing any cleaning agents on a hidden area of the blind first.

► Proceed as shown to clean the blind.



10 Troubleshooting

Fault	Solution
Tension too low	▶ See chapter "Installation" on page 10.
Tensioned blind not running smoothly	▶ Check restraint positions and recess dimensions.
Powered blinds:	
Blind stops in wrong position	▶ Refer to manual of your control device.

Fault	Solution
Different blinds running at different speeds	▶ Refer to manual of your control device.
Powered blind does not work	▶ Prolonged or repeated use can activate the built-in thermal cut-out. Leave the motor to cool for 20 minutes and try again. ▶ Check the power supply to the blind. ▶ Check if wiring for voltage to the motor is correct. ▶ If power supply is checked and the motor is still faulty, contact Dometic.

11 Warranty

Refer to the sections below for information about warranty and warranty support.

11.1 Australia and New Zealand

If the product does not work as it should, please contact your retailer or the manufacturer's branch in your country (see dometic.com/dealer). The warranty applicable to your product is 1 year(s).

For repair and warranty processing, please include the following documents when you send in the device:

- A copy of the receipt with purchasing date
- A reason for the claim or description of the fault

Australia only

Our goods come with guarantees that cannot be excluded under the Australian Consumer Law. You are entitled to a replacement or refund for a major failure and for compensation for any other reasonably foreseeable loss or damage. You are also entitled to have the goods repaired or replaced if the goods fail to be of acceptable quality and the failure does not amount to a major failure.

New Zealand only

This warranty policy is subject to the conditions and guarantees which are mandatory as implied by the Consumer Guarantees Act 1993(NZ).

Local support

Please find local support at: dometic.com/dealer

11.2 United States and Canada

LIMITED WARRANTY AVAILABLE AT
DOMETIC.COM

IF YOU HAVE QUESTIONS, OR WANT TO OBTAIN A COPY OF THE LIMITED WARRANTY FREE OF CHARGE, CONTACT:

DOMETIC CORPORATION
CUSTOMER SUPPORT CENTER
5155 VERDANT DRIVE
ELKHART, INDIANA 46516
1-800-544-4881
customersupportcenter@dometic.com

11.3 All Other Regions

The statutory warranty period applies. If the product is defective, please contact the manufacturer's branch in your region (dometic.com/dealer) or your retailer.

For repair and warranty processing, please include the following documents when you send in the device:

- A copy of the receipt with purchasing date
- A reason for the claim or description of the fault

Note that self-repair or nonprofessional repair can have safety consequences and might void the warranty.

12 Disposal

12.1 Australia and New Zealand



- Place the packaging material in the appropriate recycling waste bins wherever possible.
- Consult a local recycling center or specialist dealer for details about how to dispose of the product in accordance with the applicable disposal regulations.

12.2 All other regions



- Place the packaging material in the appropriate recycling waste bins wherever possible.
- Consult a local recycling center or specialist dealer for details about how to dispose of the product in accordance with the applicable disposal regulations.
- The product can be disposed free of charge.

Lesen und befolgen Sie bitte alle Anweisungen, Richtlinien und Warnhinweise in diesem Produkthandbuch sorgfältig, um sicherzustellen, dass Sie das Produkt ordnungsgemäß installieren und stets ordnungsgemäß betreiben und warten. Diese Anleitung MUSS bei dem Produkt verbleiben.

Durch die Verwendung des Produktes bestätigen Sie hiermit, dass Sie alle Anweisungen, Richtlinien und Warnhinweise sorgfältig gelesen haben und dass Sie die hierin dargelegten Bestimmungen verstanden haben und ihnen zustimmen. Sie erklären sich damit einverstanden, dieses Produkt nur für den angegebenen Verwendungszweck und gemäß den Anweisungen, Richtlinien und Warnhinweisen dieses Produkthandbuchs sowie gemäß allen geltenden Gesetzen und Vorschriften zu verwenden. Eine Nichtbeachtung der hierin enthaltenen Anweisungen und Warnhinweise kann zu einer Verletzung Ihrer selbst und anderer Personen, zu Schäden an Ihrem Produkt oder zu Schäden an anderem Eigentum in der Umgebung führen. Dieses Produkthandbuch, einschließlich der Anweisungen, Richtlinien und Warnhinweise, sowie die zugehörige Dokumentation können Änderungen und Aktualisierungen unterliegen. Aktuelle Produktinformationen finden Sie unter documents.dometic.com.

Inhaltsverzeichnis

1	Erläuterung der Symbole	37
2	Sicherheitshinweise	38
3	Lieferumfang	41
4	Zubehör	42
5	Bestimmungsgemäßer Gebrauch	43
6	Technische Beschreibung	43
7	Montage	44
8	Betrieb	64
9	Reinigung und Pflege	67
10	Fehlersuche und Fehlerbehebung	68
11	Gewährleistung	68
12	Entsorgung	70

1 Erläuterung der Symbole



WARNING!

Sicherheitshinweis: Kennzeichnet eine Gefahrensituation, die zum Tod oder schwerer Verletzung führen könnte, wenn die jeweiligen Anweisungen nicht befolgt werden.

**VORSICHT!**

Sicherheitshinweis: Kennzeichnet eine Gefahrensituation, die zu geringer oder mittelschwerer Verletzung führen könnte, wenn die jeweiligen Anweisungen nicht befolgt werden.

**ACHTUNG!**

Kennzeichnet eine Situation, die zu Sachschäden führen kann, wenn die jeweiligen Anweisungen nicht befolgt werden.

**HINWEIS**

Ergänzende Informationen zur Bedienung des Produktes.

2 Sicherheitshinweise



WARNUNG! Nichtbeachtung dieser Warnungen kann zum Tod oder schwerer Verletzung führen.

Stromschlaggefahr (nur bei elektrischen Rollos)

- Wenn das Gerät sichtbare Beschädigungen aufweist, dürfen Sie es nicht in Betrieb nehmen.
- Wenn das Anschlusskabel dieses Geräts beschädigt ist, muss es durch den Hersteller, seinen Kundendienst oder ähnlich qualifiziertes Fachpersonal ersetzt werden, um Gefährdungen zu vermeiden.
- Durch unsachgemäße Reparaturen können erhebliche Gefahren entstehen.
- Trennen Sie das Rollo von der Stromversorgung, bevor Sie mit der Durchführung von Wartungsarbeiten beginnen.

Gesundheitsgefahr

- Wichtige Sicherheitshinweise. Diese Hinweise müssen zur Sicherheit von Personen eingehalten werden. Bewahren Sie diese Hinweise auf.
- Dieses Gerät kann von Kindern ab 8 Jahren und von Personen mit verringerten physischen, sensorischen oder mentalen Fähigkeiten oder Mangel an Erfahrung und/oder Wissen verwendet werden, wenn diese Personen beaufsichtigt werden oder im sicheren Gebrauch des Geräts unterwiesen wurden und die daraus resultierenden Gefahren verstanden haben.
- Kinder dürfen nicht mit dem Gerät spielen.
- Reinigung und Benutzerwartung dürfen nicht durch unbeaufsichtigte Kinder durchgeführt werden.

- Fahren Sie das Rollo vor der Fahrt ein, um sicherzustellen, dass die Sicht des Fahrers nicht beeinträchtigt ist.
- **Nur bei elektrischen Rollos:**
 - Elektrische Rollos dürfen nicht an Notluken angebracht werden.
 - Eine Änderung des Designs oder der Auslegung der Vorrichtung ohne ausdrückliche Genehmigung des Herstellers kann zu Gefahrensituationen führen.
 - Lassen Sie Kinder nicht mit dem Steuergerät des internen Rollos spielen. Halten Sie die Fernbedienungen von Kindern fern.
 - Überprüfen Sie die Vorrichtung regelmäßig auf Anzeichen von Verschleiß oder Schäden an den Kabeln. Nicht verwenden, wenn eine Reparatur erforderlich ist.
 - Betreiben Sie das Rollo nicht, wenn Wartungsarbeiten, wie beispielsweise eine Fensterreinigung, in der Nähe ausgeführt werden.

Strangulationsgefahr



- Kleine Kinder können sich mit Schlaufen in Zugschnüren, Ketten, Bändern und Innenzügen, durch die das Produkt bedient wird, strangulieren.
- Um Strangulieren und Verheddern zu vermeiden, halten Sie die Schnüre außerhalb der Reichweite von Kleinkindern. Schnüre können sich um den Hals eines Kindes wickeln.
- Stellen Sie Betten, Tragen und Möbel entfernt von den Schnüren der Fensterabdeckung auf.
- Binden Sie die Schnüre nicht zusammen. Achten Sie darauf, dass sich die Schnüre nicht verdrehen und eine Schlaufe bilden.

Erstickungsgefahr

- Das Gerät enthält Kleinteile. Von Kindern unter 3 Jahren fernhalten.
- Die Verpackung enthält Kunststofftüten. Von Kindern unter 3 Jahren fernhalten.



VORSICHT! Nichtbeachtung dieser Hinweise kann zu leichten bis mittelschweren Verletzungen führen.

Verletzungsgefahr

- Der Ein- und Ausbau oder eine Reparatur darf nur durch eine qualifizierte Person bzw. Fachpersonal mit geeignetem Befestigungsmaterial vorgenommen werden.
- Die Montage des Rollos ist mit gebührender Sorgfalt und mit geeigneter Schutzausrüstung durchzuführen.

- **Nur bei Booten und Yachten:** Wenn sich das Rollo vor einem geöffneten Fenster befindet, sollte es bei Fahrgeschwindigkeiten von über 10 Knoten oder bei mehr als moderatem Seegang eingezogen werden, da das Rollo ansonsten Schaden nehmen kann. Sich lösende Teile können Personen in der Umgebung verletzen.





ACHTUNG!

Beschädigungsgefahr

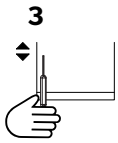
- Bei fahrenden Booten und Fahrzeugen sollten Rollos stets vollständig eingezogen sein.
- Verwenden Sie zur Befestigung des Rollos ausschließlich Schrauben und Dübel, die für die Wandkonstruktion geeignet sind.
- Achten Sie darauf, nicht die Wand zu durchbohren.
- Reinigen Sie vor den Arbeiten die Hände oder tragen Sie geeignete Handschuhe, um Flecken auf dem Tuch zu vermeiden.
- **Nur bei elektrischen Rollos:**
 - Prüfen Sie, ob die Spannungsangabe auf dem Typenschild mit der vorhandenen Energieversorgung übereinstimmt.
 - Verwenden Sie nur Kabel mit passendem Leitungsquerschnitt.

3 Lieferumfang

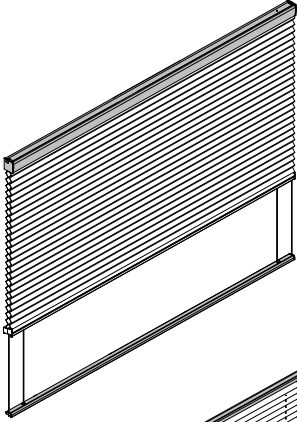
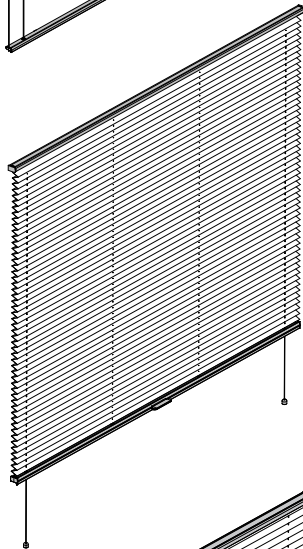
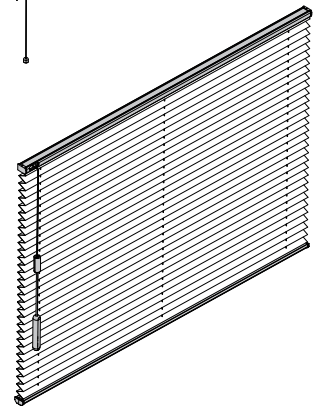
1


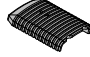






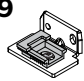
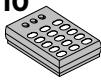
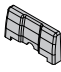
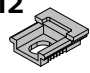

2

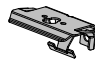




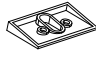

3

4 	5 
6 	7 

8 	9 
10 	11 
12 	13 2x 

14 	15 
16 	

17 	18 
--	--

Pos. in Abb. 1	Anzahl	Beschreibung
1 – 3	1	Rolloeinheit Bauform modellabhängig, z. B. elektrisch oder manuell, freihängend oder gespannt, Ausführung mit 2 Stangen oder mit 3 Stangen
4	je nach Rollogröße	Kopfschienenhalterung für elektrisches Rollo
5	je nach Rollogröße	Abdeckung für L-Halterung (optional für Wandmontage)
6	je nach Rollogröße	Halterungssatz für Ausführung mit 3 Stangen (optional für Wandmontage)
7	je nach Rollogröße	Halterungssatz für Ausführung mit 3 Stangen (optional für Nischenmontage)
8, 14	je nach Rollogröße	Kopfschienenhalterung für manuelle Rollos
9	je nach Rollogröße	Fußplattenbasis
10	2	Fußplatte (optional für Wandmontage oder Nischenmontage, nur für Ausführung mit 2 Stangen)
11	je nach Rollogröße	Abdeckung für L-Halterung
12	je nach Rollogröße und Winkel	Fußplattenbasis (optional für Nischenmontage, nur für Ausführung mit 2 Stangen)
13	1	kuppelförmiger Niederhaltesatz (optional für Ausführung mit 2 Stangen, am gelieferten Rollo befestigt)
15	1	Stab/Walzenkapsel
16	1	Halter für Entriegelungsgriff
17 – 18	optional	Distanzstücke zum Nivellieren des Rollos (optional)

4 Zubehör

Zubehör ist über das separate Bestellformular erhältlich. Ein autorisiertes Kundendienstzentrum finden Sie unter dometic.com.

5 Bestimmungsgemäßer Gebrauch

Das Rollo ist geeignet für:

- Einbau in Yachten und Boote
- Einbau in Wohnwagen und Wohnmobile

Die Bauform und die Größe der Rollos sind kundenspezifisch angepasst. Das Material der Rollos wird entsprechend den Kundenvorgaben zugeschnitten.

Die Rollos sind ausschließlich für den Gebrauch in Innenräumen vorgesehen und dürfen nicht in Bädern, Nassräumen oder sonstigen Räumen mit hoher Luftfeuchte installiert werden.

Dieses Produkt ist nur für den angegebenen Verwendungszweck und die Anwendung gemäß dieser Anleitung geeignet.

Dieses Handbuch enthält Informationen, die für die ordnungsgemäße Installation und/oder den ordnungsgemäßen Betrieb des Produkts erforderlich sind. Installationsfehler und/oder ein nicht ordnungsgemäßer Betrieb oder eine nicht ordnungsgemäße Wartung haben eine unzureichende Leistung und u. U. einen Ausfall des Geräts zur Folge.

Der Hersteller übernimmt keine Haftung für Verletzungen oder Schäden am Produkt, die durch Folgendes entstehen:

- Unsachgemäße Montage oder falscher Anschluss, einschließlich Überspannung
- Unsachgemäße Wartung oder Verwendung von anderen als den vom Hersteller gelieferten Original-Ersatzteilen
- Veränderungen am Produkt ohne ausdrückliche Genehmigung des Herstellers
- Verwendung für andere als die in der Anleitung beschriebenen Zwecke

Dometic behält sich das Recht vor, das Erscheinungsbild des Produkts und dessen technische Daten zu ändern.

6 Technische Beschreibung

Das Rollo ist in verschiedenen Bedienungsausführungen erhältlich:

- manuell, gespannt
- manuell, freihängend
- elektrisch, gespannt
- elektrisch, freihängend

Gespannte Modelle erfordern eine Fixierung der Schnüre an der der Kopfschiene gegenüberliegenden Seite:

- Halterungen zur Befestigung der Ausführung mit 3 Stangen
- Niederhalteoptionen zur Befestigung der Ausführung mit 2 Stangen



HINWEIS

Prüfen Sie nach der Lieferung den Rollotyp und den Lieferumfang gemäß der Auftragsbestätigung. Die Nummer auf dem Typenschild, die den Rollotyp angibt, befindet sich auf der Rückseite der Kopfschiene. Links- oder rechtshändig geformte Paare können ähnlich aussehen.

7 Montage



VORSICHT! Verletzungsgefahr

Wichtige Sicherheitshinweise. Befolgen Sie sämtliche Hinweise, da eine unsachgemäße Installation zu schweren Verletzungen führen kann.

7.1 Kopfschiene montieren



WARNUNG!

Elektrische Rollos: Trennen Sie vor Beginn der Arbeiten die Stromversorgung und stellen Sie sicher, dass sie bis Abschluss der Montage nicht wieder angeschlossen werden kann.

Das Rollo kann vorn an der Stirnfläche einer Wand oder zurückgesetzt in einer Wandnische oder an der Decke angebracht werden. Die Kopfschiene kann oben oder unten am Fenster angebracht werden. Die Kopfschienen für elektrische Rollos und manuelle Rollos sind unterschiedlich.

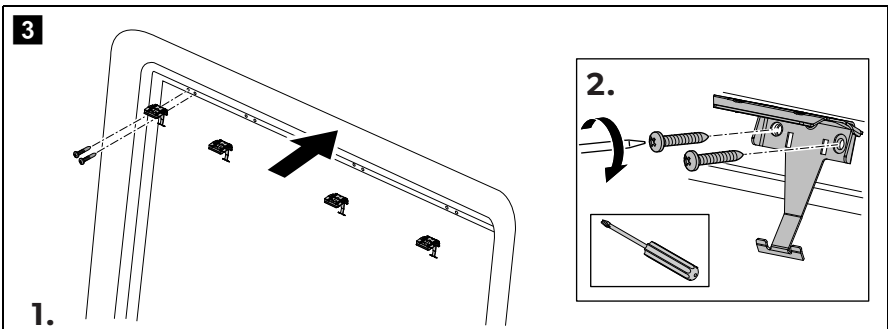
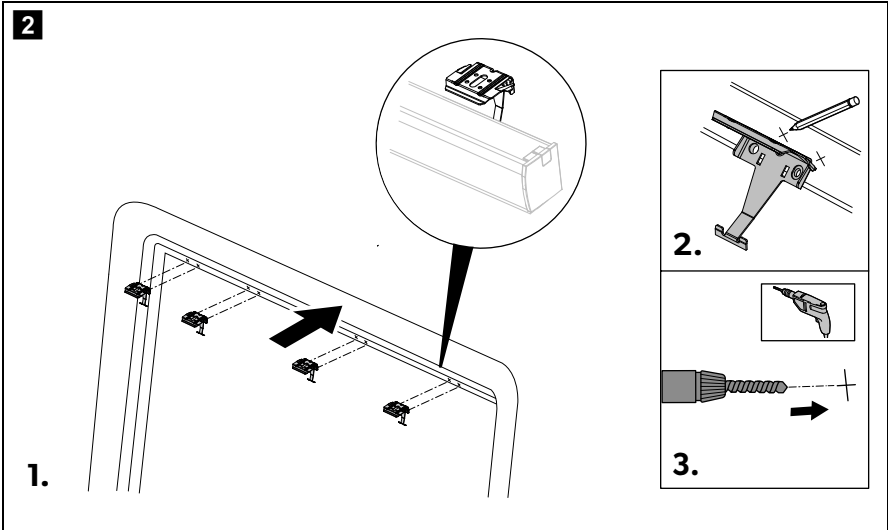
Je nach verfügbarem Platz am Einbauort kann die Reihenfolge für den Einbau der Rollobauteile variieren (z. B. um die untere Stange zuerst zu montieren).

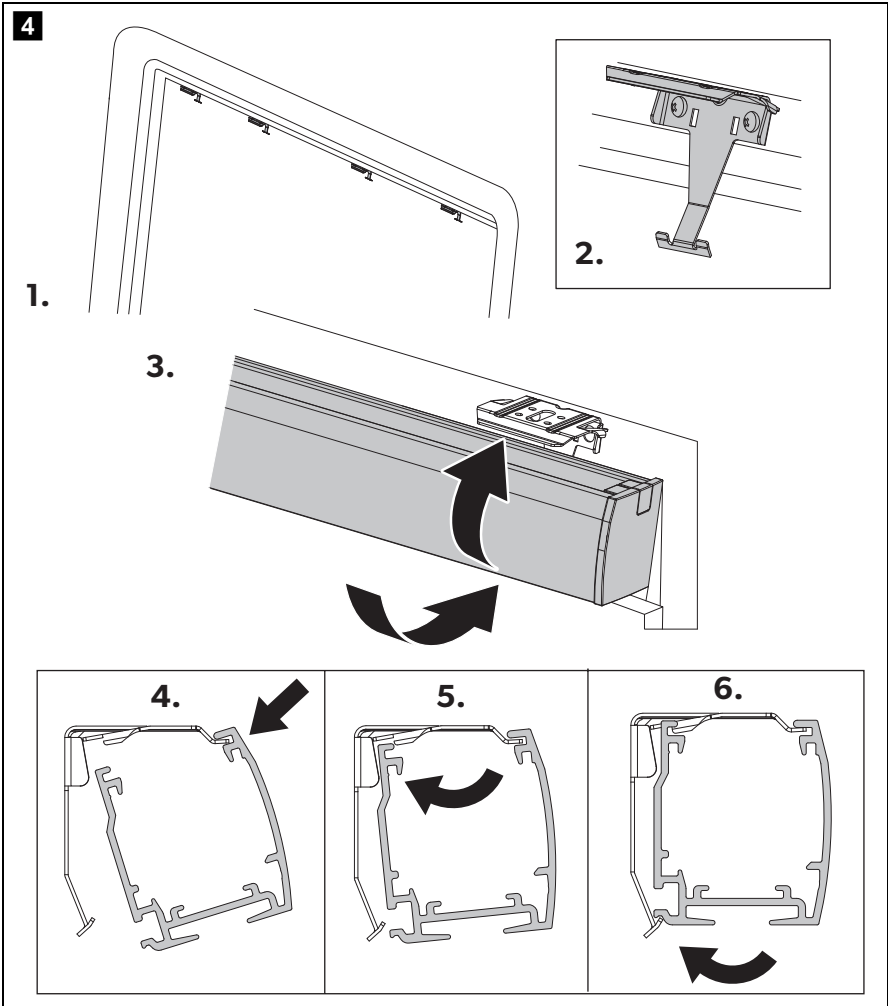


HINWEIS

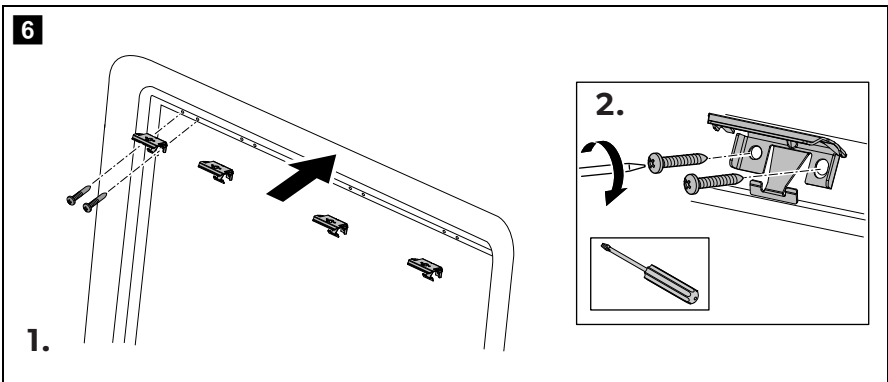
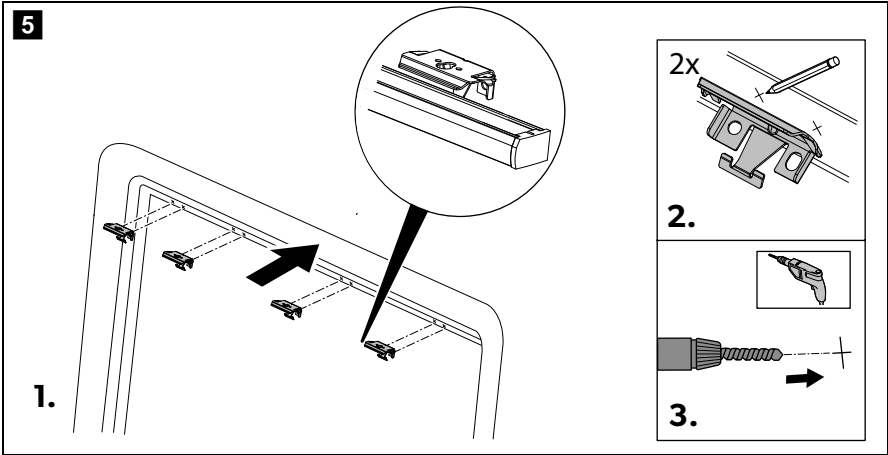
Stellen Sie sicher, dass hinter den Halterungen genügend Platz für den Zugang zur Entriegelungsklammer ist.

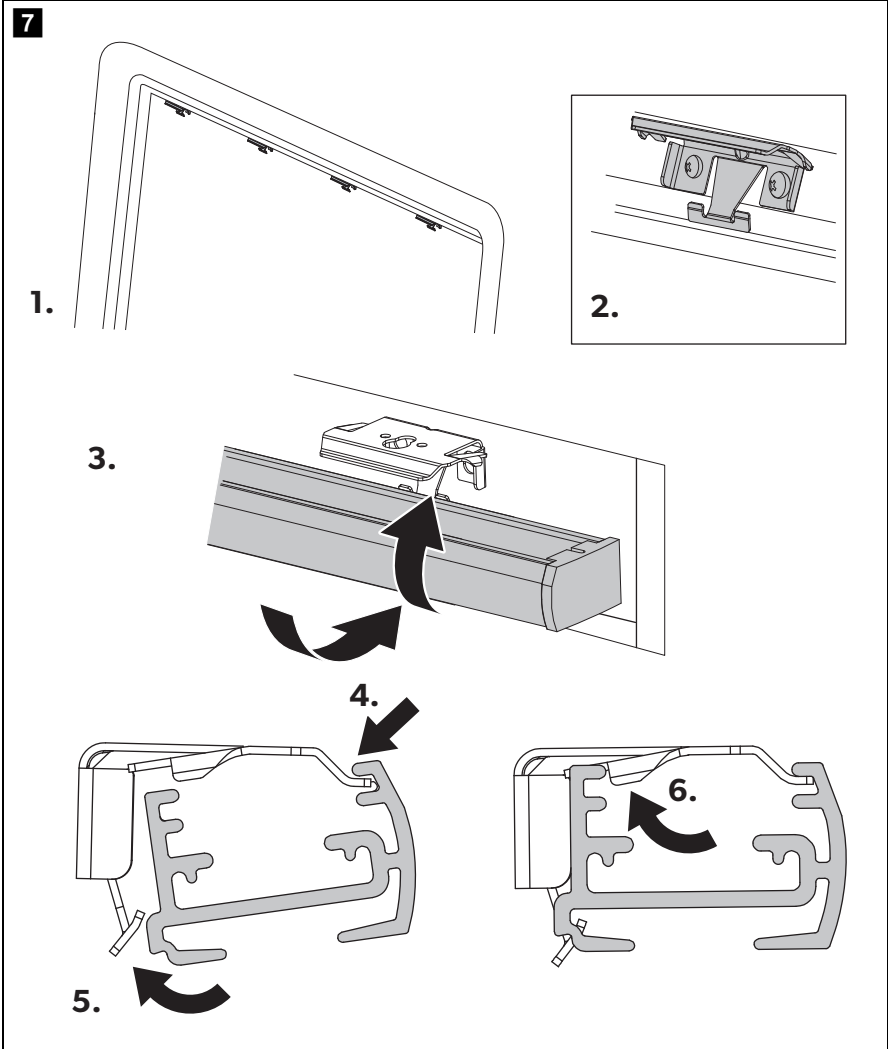
Kopfschiene elektrisches Rollo Wandmontage



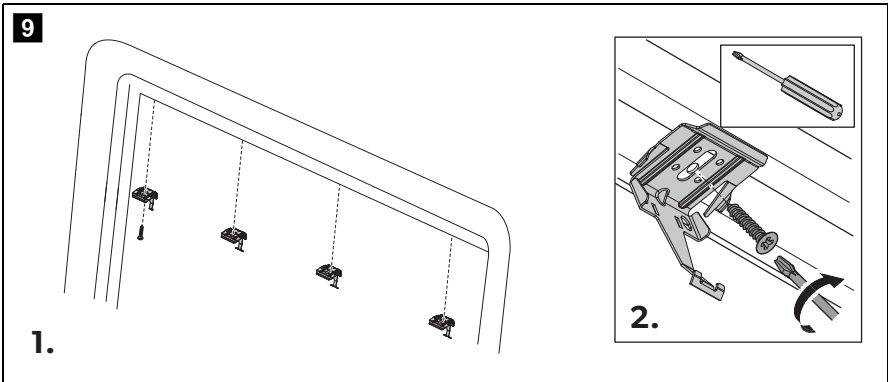
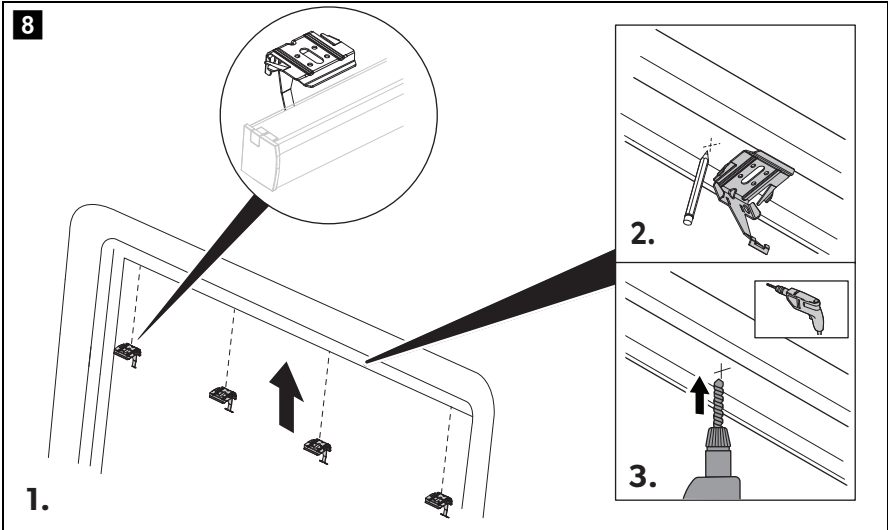


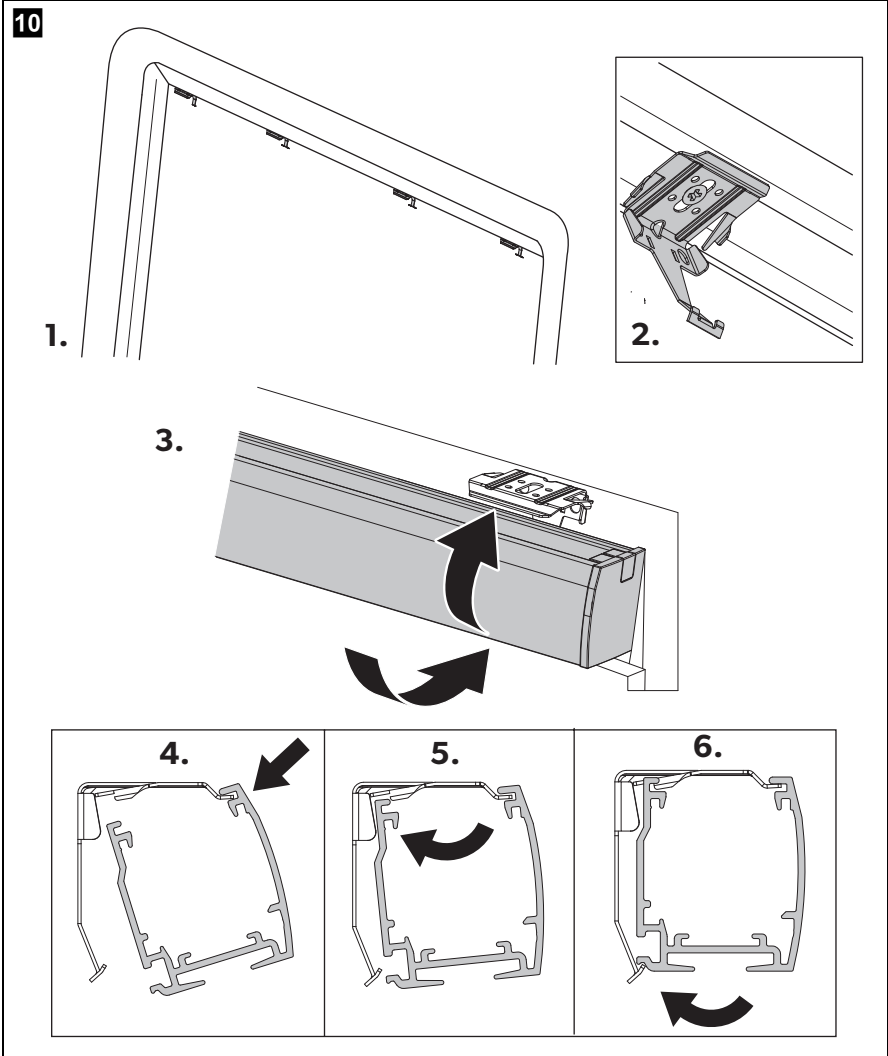
Kopfschiene manuelles Rollo Wandmontage



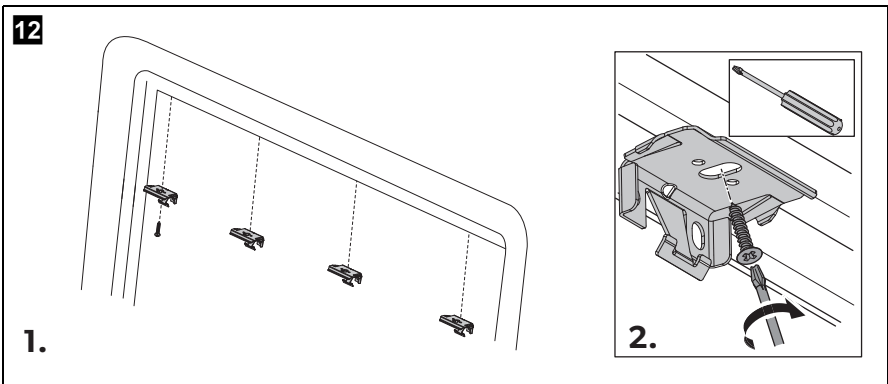
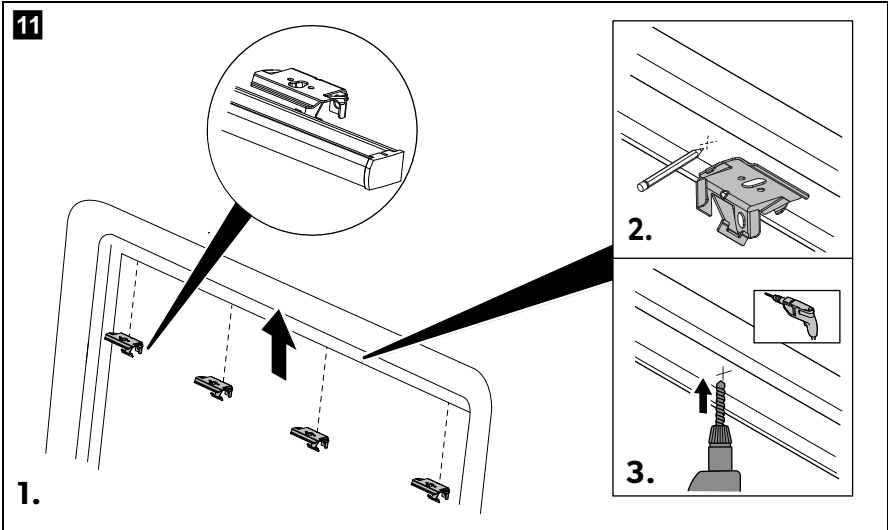


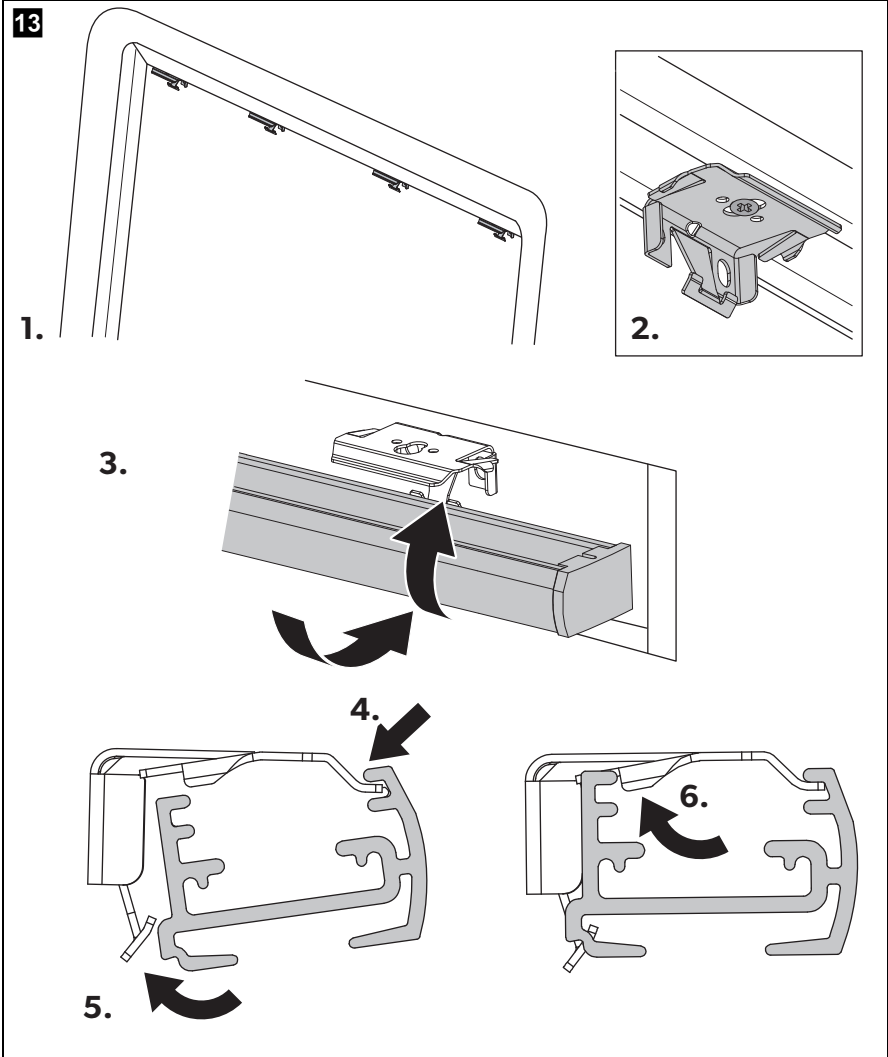
Kopfschiene elektrisches Rollo Nischenmontage





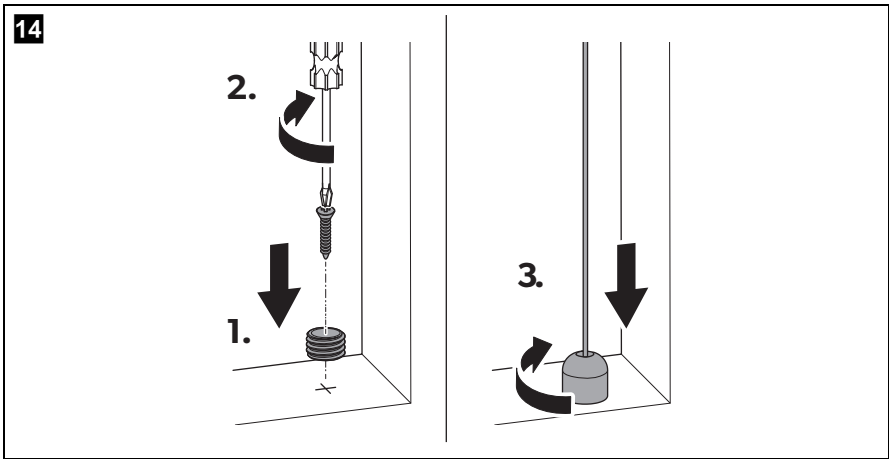
Kopfschiene manuelles Rollo Nischenmontage



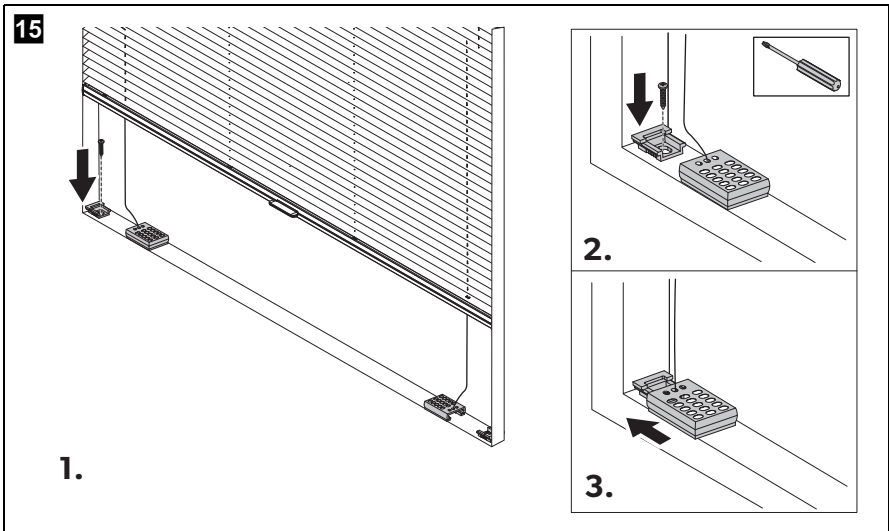


7.2 Niederhalter befestigen

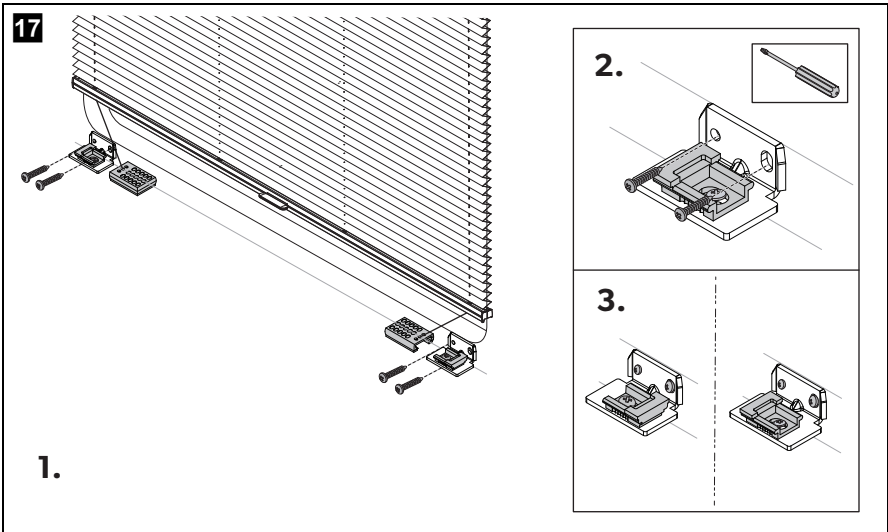
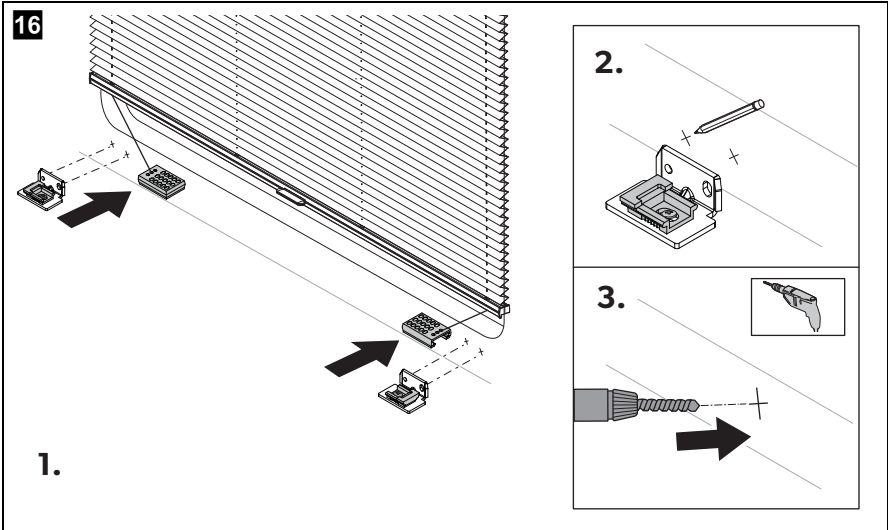
Kuppelförmiger Niederhalter Nischenmontage

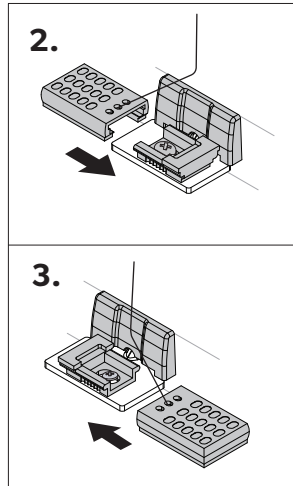
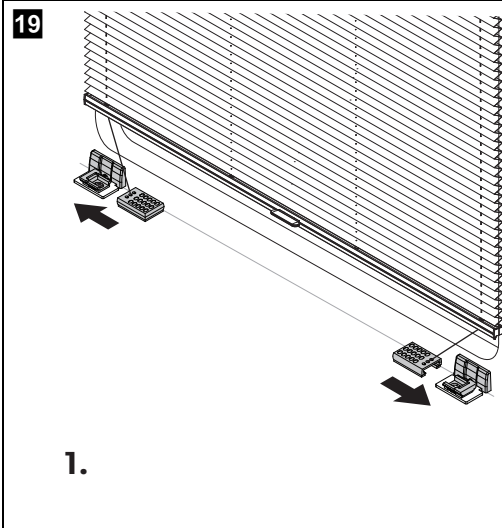
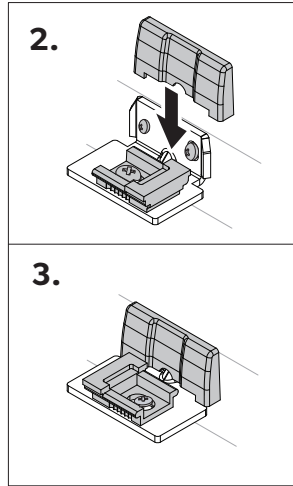
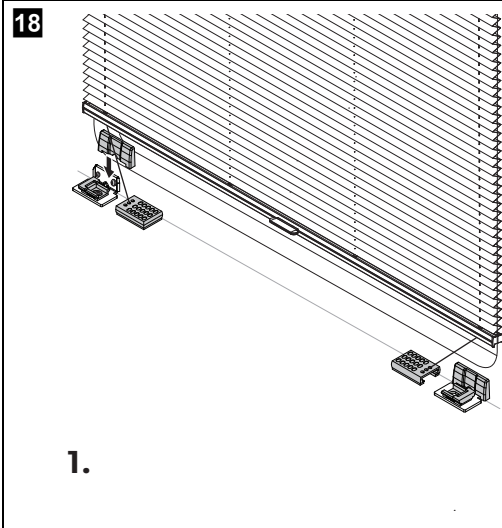


Fußplatte unten Nischenmontage



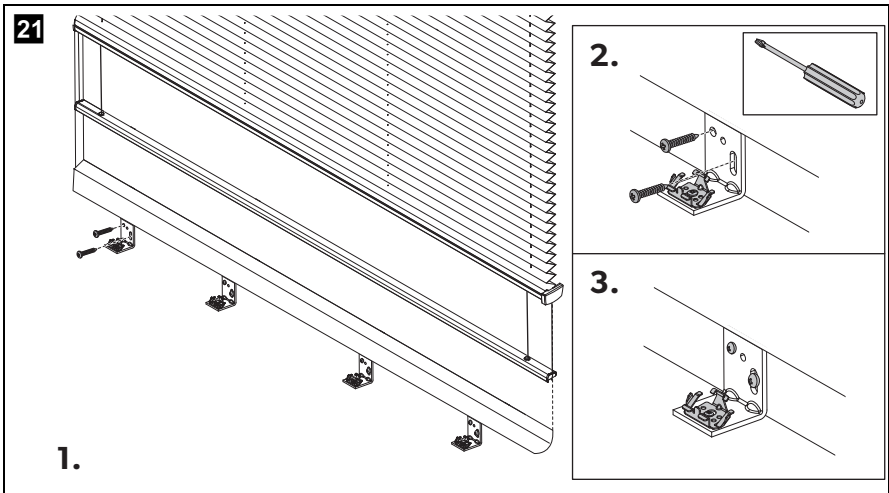
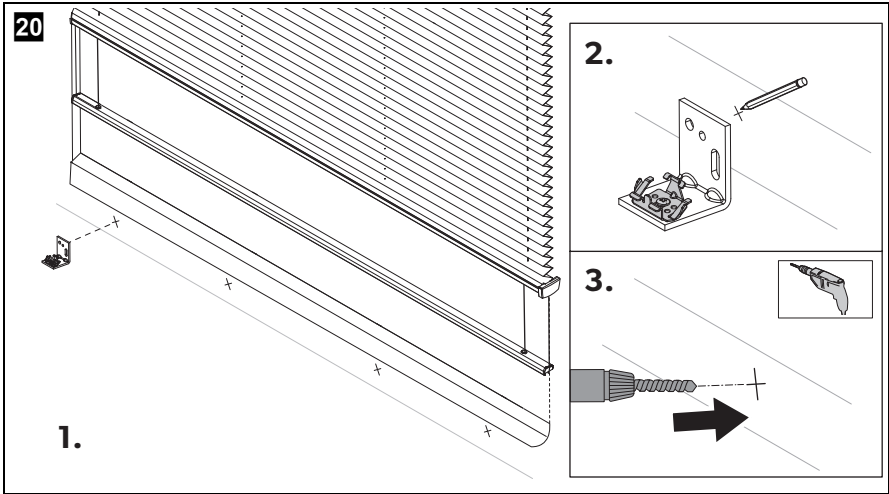
Fußplatte Wandmontage

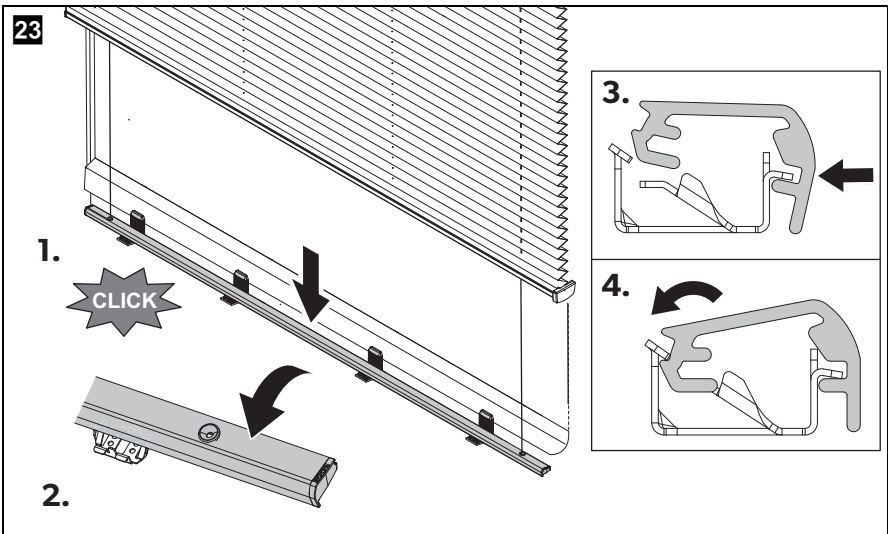
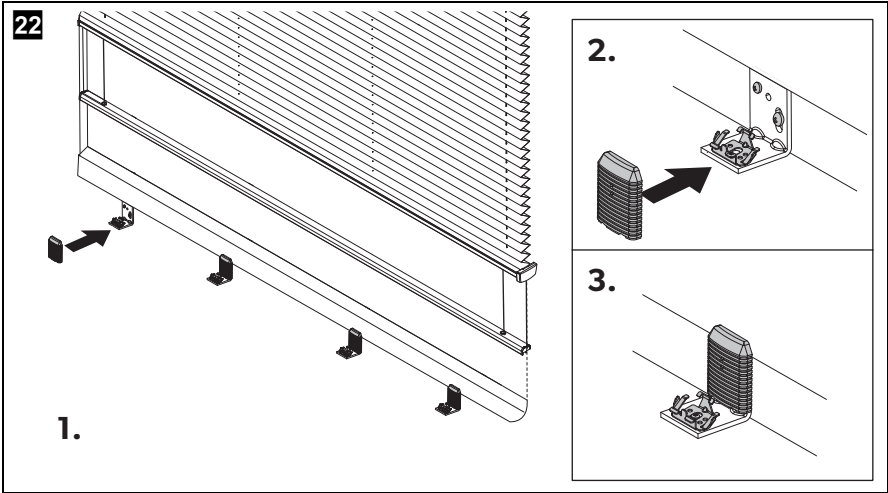




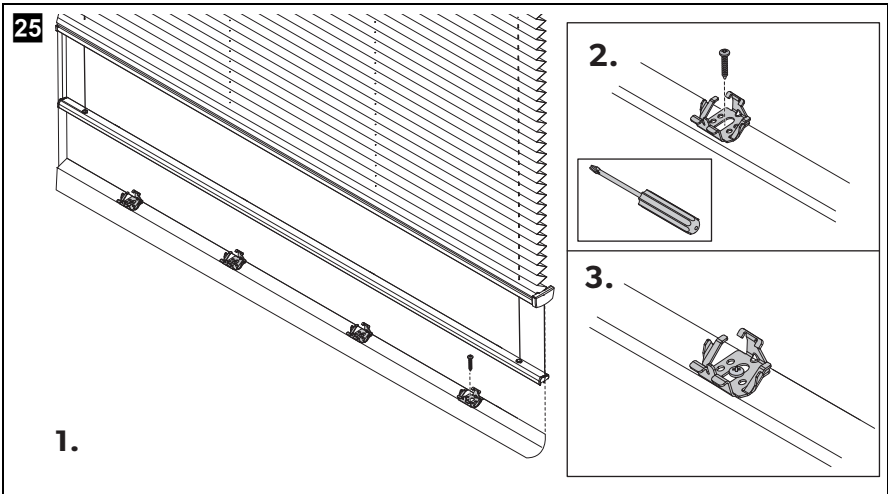
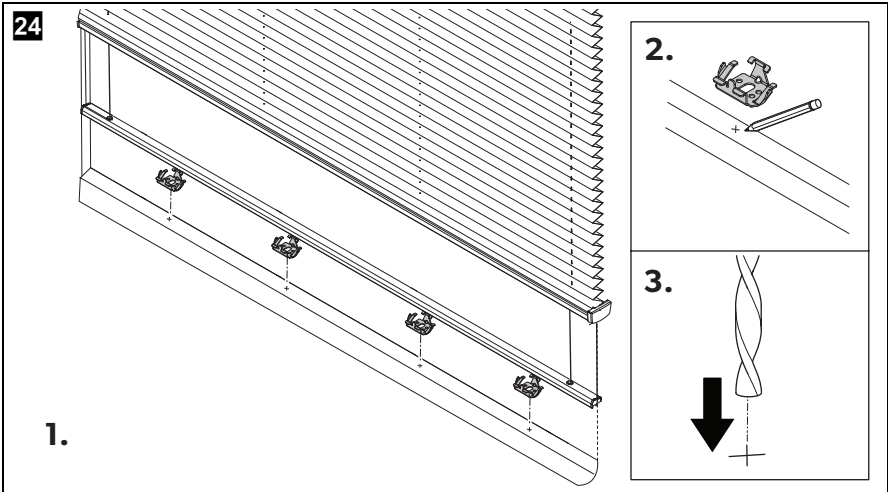
7.3 Untere Stange befestigen

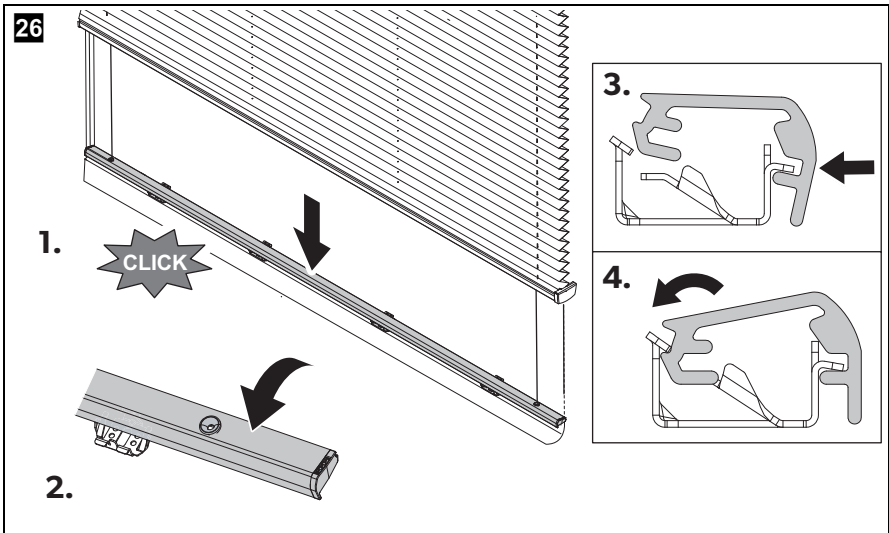
Untere Stange Wandmontage



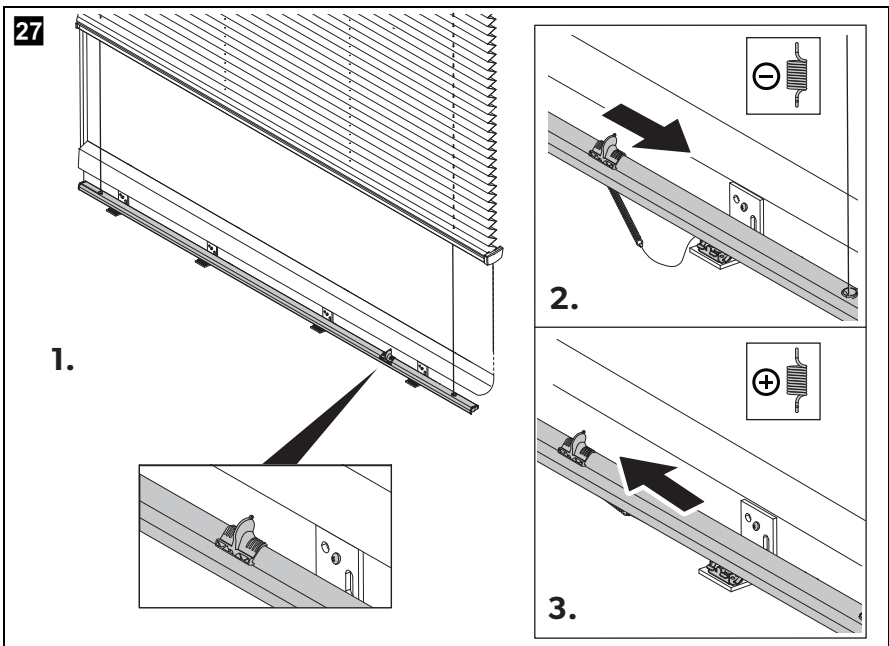


Untere Stange Nischenmontage





7.4 Schnüre spannen (nur mit optionalem Schnellspanner)



7.5 Rollos anschließen (nur bei elektrischen Rollos)

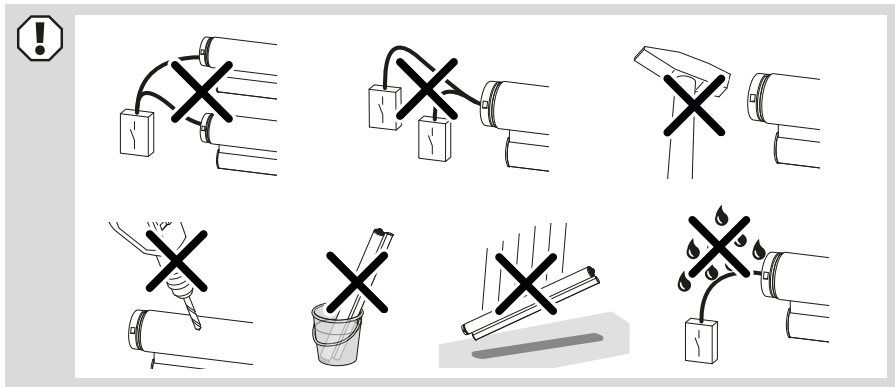


Der Anschluss an die Stromversorgung muss von einer Fachkraft ausgeführt werden, die nachweislich über Fähigkeiten und Kenntnisse in Bezug auf den Aufbau und den Betrieb von Elektrogeräten und -anlagen verfügt und ein Sicherheitstraining zum Erkennen und Vermeiden der diesbezüglichen Gefahren absolviert hat.

Die elektrischen Rollos sind für den Anschluss an eine 12/24 V $\overline{\text{=}}$ -Stromversorgung erhältlich. Das Typenschild an der Kopfschiene enthält wichtige Informationen zu den technischen Daten des spezifischen Motors des Rollos.

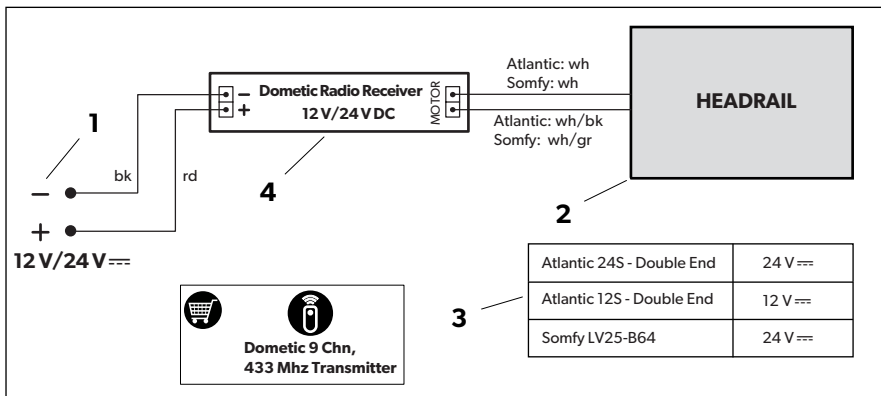
Beim Anschluss der Rollos sind folgende Hinweise zu beachten:

- Achten Sie bei der Montage darauf, keine Kabel zu beschädigen. Die Kabelführung durch Wände oder Trennwände muss durch geeignete Kabeldurchführungen, Kabeltüllen oder Kabelkanäle geschützt und isoliert werden.
- Stellen Sie sicher, dass am Montageort eine stabile Stromversorgung mit 12 V oder 24 V für den Antrieb vorhanden ist. Die Zuleitung ist entsprechend angeordnet und abgesichert.
- Das Produkt muss an die richtige Stromversorgung angeschlossen werden, die auf dem Typenschild angegeben ist. Der Motor im Produkt ist so ausgelegt, dass er bei Überschreiten eines Sollstroms abschaltet, die Stromversorgung sollte jedoch abgesichert werden, um die Verkabelung zum Produkt zu schützen.
- Befestigen Sie alle Kabel, um jedweden Kontakt mit beweglichen Teilen zu vermeiden.
- Verwenden Sie nur vom Hersteller empfohlene Netzteile und Bedienelemente, um Schäden oder Fehler während des Betriebs durch nicht kompatible elektrische Komponenten zu vermeiden.
- Steuerungseinrichtungen (z. B. Schalter) müssen an gut sichtbaren Stellen montiert werden.
- Eine geregelte Stromversorgung gemäß den technischen Daten ist pro Motor erforderlich, da ansonsten der Motor möglicherweise nicht richtig funktioniert.
- Die eingestellten Anschlagpositionen dürfen nur gemäß dem für den Motortyp vorgegebenen Verfahren verändert werden, um eine Beschädigung des Motors zu vermeiden.

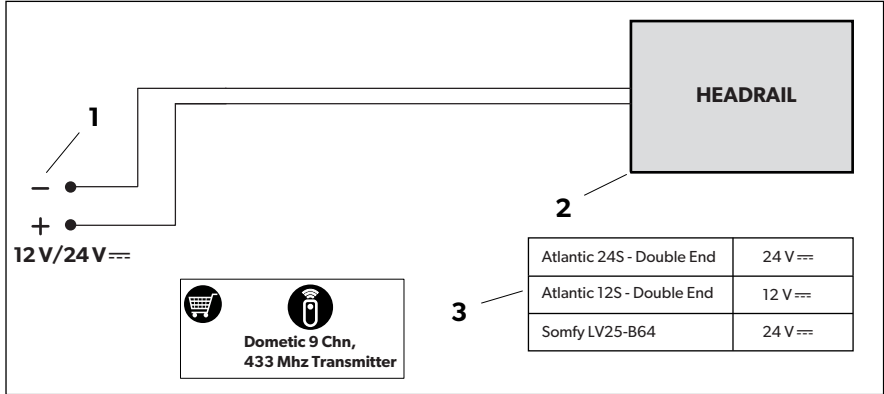


► Schließen Sie den Motor wie in den Schaltplänen gezeigt an.

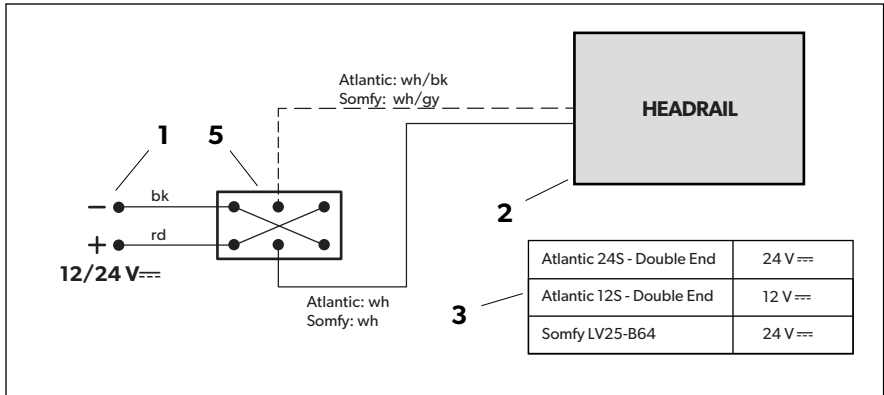
Funkgesteuertes Dometic Rollo mit externem Empfänger



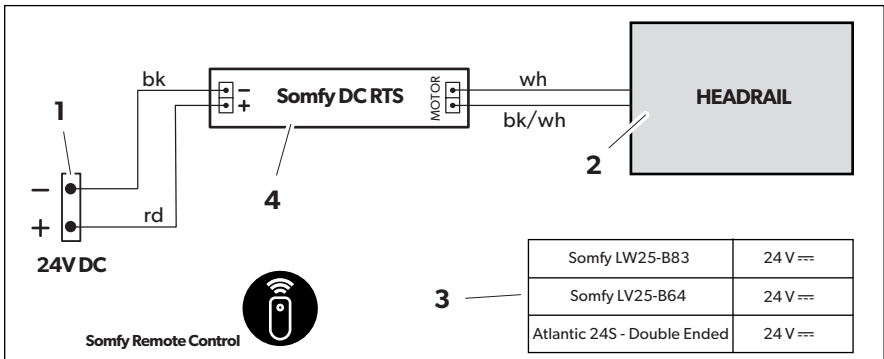
Funkgesteuertes Dometic Rollo mit internem Empfänger



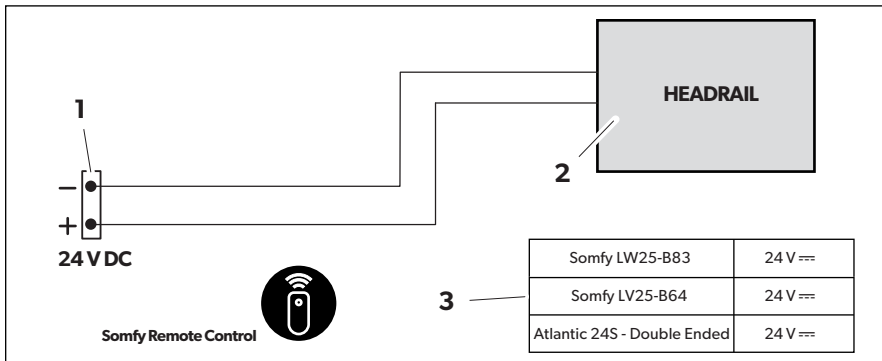
Rollo mit manuellen Schaltern



Somfy-RTS-gesteuertes Rollo mit externem Empfänger



Somfy-RTS-gesteuertes Rollo mit internem Empfänger



Legende zu Schaltplänen

Pos.	Beschreibung
1	Stromversorgung
2	Kopfschiene
3	Motoroptionen für Kopfschiene
4	Externer Empfänger
5	Vom Kunden bereitgestellter DPDT-Schalter (zweipoliger Wechselschalter), AUS-Stellung in der Mitte, Sperr- oder Tastschalter, 12/24 V---, 3 A
bk	Schwarz
rd	Rot
gy	Grau
wh	Weiß



HINWEIS

- Zubehör ist über das separate Bestellformular erhältlich.
- Beachten Sie die relevanten Dokumente für die Steuerung und die Bedienelemente.

8 Betrieb



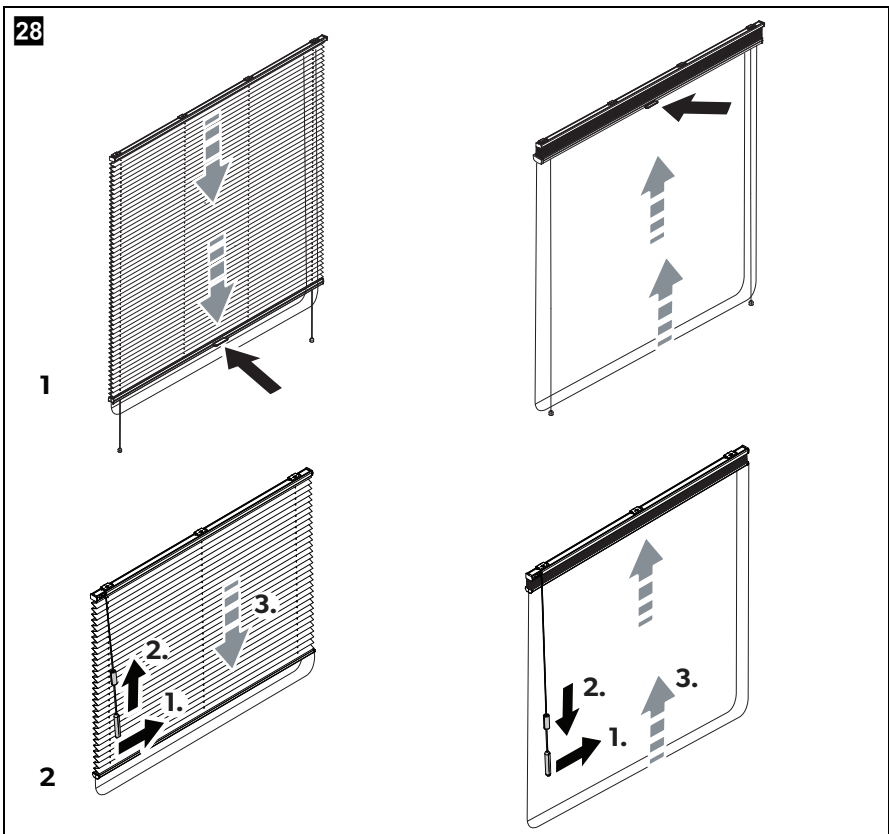
VORSICHT! Verletzungsgefahr

Nur bei Booten und Yachten: Wenn sich das Rollo vor einem geöffneten Fenster befindet, sollte es bei Fahrgeschwindigkeiten von über 10 Knoten oder bei mehr als moderatem Seegang eingezogen werden, da das Rollo ansonsten Schaden nehmen kann. Sich lösende Teile können Personen in der Umgebung verletzen.

8.1 Manuelle Rollos bedienen

Das Rollo kann mit dem Griff in jede beliebige Position bewegt werden.

➤ Gehen Sie wie gezeigt vor, um das manuelle Rollo zu bedienen.

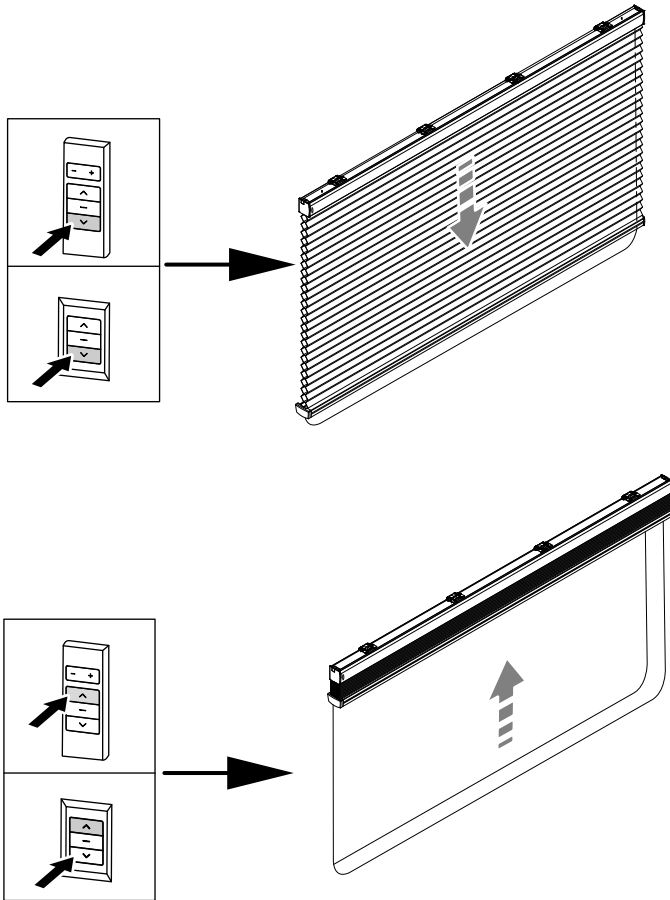


8.2 Elektrische Rollos bedienen

Beachten Sie die folgenden Hinweise:

- Jedes Rollo kann an einer beliebigen Position angehalten werden.
 - Die Betätigung des Rollos mit einem Automatiksystems erfolgt entsprechend der Programmierung der Steuerungen.
 - Werkseitig ist ein automatisches Anhalten des Rollos in folgenden Fällen eingestellt:
 - Wenn das Rollo vollständig ausgefahren ist
 - Wenn das Rollo vollständig eingefahren ist
- Gehen Sie wie gezeigt vor, um das elektrische Rollo zu bedienen.

29

**HINWEIS**

Die Motoren verfügen aus Sicherheitsgründen über eine integrierte selbstrückstellende thermische Sicherung. Bei längerer Ansteuerung oder Überlastung des Rollos kann die Sicherung auslösen. Lassen Sie den Motor in diesem Fall bis zu einer halben Stunde abkühlen.

9 Reinigung und Pflege



WARNUNG! Verletzungsgefahr

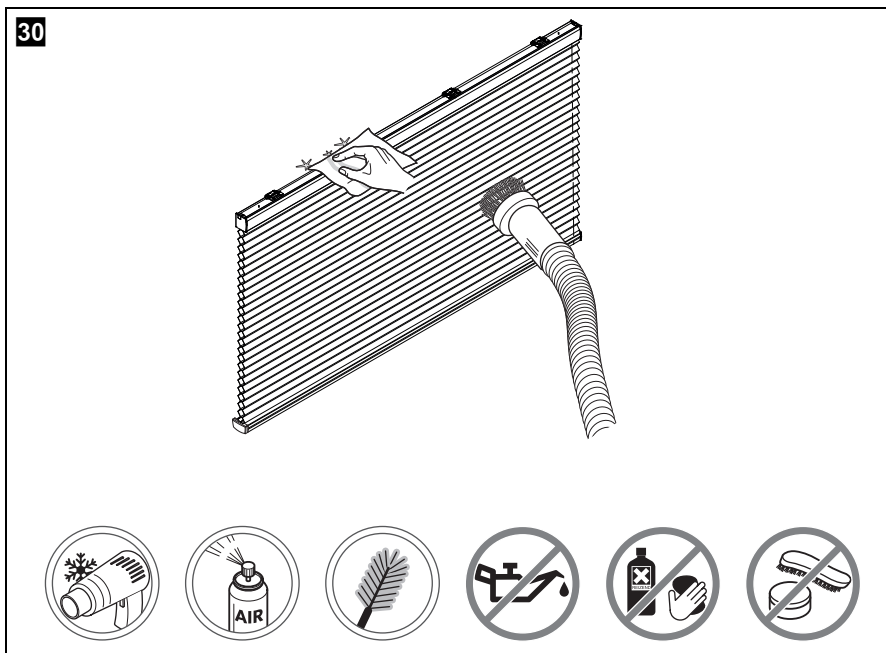
Elektrische Rollos: Treffen Sie geeignete organisatorische Maßnahmen, um den Betrieb des Rollos bei in der Nähe des Rollos stattfindenden Wartungsarbeiten, wie z. B. Fenster- oder Wandreinigung, zu verhindern, wenn das Rollo ohne Sichtkontakt zum Rollo bedient werden kann.



ACHTUNG! Beschädigungsgefahr

- Bringen Sie kein Schmierfett, Öl oder Schmiermittel an dem Rollo an. Durch Schmiermittel entstehen Schäden am Material des Rollos.
- Durch Reiben können Schäden am Material des Rollos entstehen.
- Durch eine Fleckenentfernung können Bereiche entstehen, die sauberer als das umgebende Material sind.
- Weichen Sie das Rollo nicht ein.
- Der Hersteller empfiehlt, Reinigungsmittel zuerst an einer verdeckten Stelle des Rollos zu testen.

► Gehen Sie wie gezeigt vor, um das Rollo zu reinigen.



10 Fehlersuche und Fehlerbehebung

Störung	Lösung
Spannung zu gering	▶ Siehe Kapitel „Montage“ auf Seite 44.
Vorgespanntes Rollo läuft nicht gleichmäßig	▶ Prüfen Sie die Arretierungspositionen und die Abmessungen der Vertiefungen.
Elektrische Rollos:	
Das Rollo hält in der falschen Position an	▶ Weitere Informationen finden Sie in der Bedienungsanleitung des Steuergerätes.
Jeder Rollo typ wird mit einer anderen Geschwindigkeit angetrieben	▶ Weitere Informationen finden Sie in der Bedienungsanleitung des Steuergerätes.
Elektrisches Rollo funktioniert nicht	<p>▶ Bei längerer oder wiederholter Verwendung kann die integrierte thermische Sicherung auslösen. Lassen Sie den Motor 20 Minuten abkühlen und versuchen Sie es dann erneut.</p> <p>▶ Prüfen Sie die Stromversorgung zum Rollo.</p> <p>▶ Prüfen Sie, ob der Motor richtig an die Spannungsversorgung angeschlossen ist.</p> <p>▶ Wenn die Stromversorgung richtig angeschlossen ist und der Motor trotzdem nicht funktioniert, wenden Sie sich an Dometic.</p>

11 Gewährleistung

Informationen zur Gewährleistung und zur Abwicklung von Gewährleistungsfällen finden Sie in den folgenden Abschnitten.

11.1 Australien und Neuseeland

Sollte das Produkt nicht ordnungsgemäß funktionieren, wenden Sie sich bitte an Ihren Fachhändler oder die Niederlassung des Herstellers in Ihrem Land (siehe dometic.com/dealer). Die für Ihr Produkt geltende Gewährleistungsfrist beträgt 1 Jahr(e).

Bitte senden Sie bei einem Reparatur- bzw. Gewährleistungsantrag folgende Unterlagen mit dem Produkt ein:

- eine Kopie der Rechnung mit Kaufdatum
- einen Reklamationsgrund oder eine Fehlerbeschreibung

Nur Australien

Unsere Waren unterliegen Gewährleistungsansprüchen, die nach dem australischen Verbraucherschutzgesetz („Australian Consumer Law“) nicht ausgeschlossen werden können. Sie haben Anspruch auf Ersatz oder Rückerstattung bei einem schwerwiegenden Defekt und auf Entschädigung für alle anderen vernünftigerweise vorhersehbaren Verluste oder Schäden. Sie haben außerdem Anspruch auf Reparatur oder Ersatz der Waren, wenn die Waren nicht von akzeptabler Qualität sind und der Defekt keinen schwerwiegenden Defekt darstellt.

Nur Neuseeland

Diese Garantierichtlinie unterliegt den Bedingungen und Garantien, die gemäß dem Consumer Guarantees Act 1993(NZ) zwingend vorgeschrieben sind.

Kundendienst in Ihrer Nähe

Einen Kundendienst in Ihrer Nähe finden Sie unter: dometic.com/dealer

11.2 USA und Kanada

EINGESCHRÄNKTE GEWÄHRLEISTUNG VERFÜGBAR UNTER:
DOMETIC.COM/WARRANTY.

WENN SIE FRAGEN HABEN ODER EINE KOSTENLOSE KOPIE DER EINGESCHRÄNKTEN GEWÄHRLEISTUNG ERHALTEN MÖCHTEN, WENDEN SIE SICH BITTE AN:

DOMETIC CORPORATION
CUSTOMER SUPPORT CENTER
2320 INDUSTRIAL PARKWAY
ELKHART, INDIANA 46516
1-800-544-4881
customersupportcenter@dometic.com

11.3 Alle anderen Regionen

Es gilt die gesetzliche Gewährleistungsfrist. Sollte das Produkt defekt sein, wenden Sie sich bitte an die Niederlassung des Herstellers in Ihrer Region (dometic.com/dealer) oder an Ihren Fachhändler.

Bitte senden Sie bei einem Reparatur- bzw. Gewährleistungsantrag folgende Unterlagen mit dem Produkt ein:

- eine Kopie der Rechnung mit Kaufdatum

- einen Reklamationsgrund oder eine Fehlerbeschreibung

Bitte beachten Sie, dass eigenständig oder nicht fachgerecht durchgeführte Reparaturen die Sicherheit gefährden und zum Erlöschen der Garantie führen können.

12 Entsorgung

12.1 Australien und Neuseeland



- Geben Sie das Verpackungsmaterial möglichst in den entsprechenden Recycling-Müll.
- Wenden Sie sich an ein örtliches Recyclingzentrum oder einen Fachhändler, um zu erfahren, wie Sie das Produkt gemäß den geltenden Entsorgungsvorschriften entsorgen können.

12.2 Alle anderen Regionen



- Geben Sie das Verpackungsmaterial möglichst in den entsprechenden Recycling-Müll.
- Wenden Sie sich an ein örtliches Recyclingzentrum oder einen Fachhändler, um zu erfahren, wie Sie das Produkt gemäß den geltenden Entsorgungsvorschriften entsorgen können.
- Das Produkt kann kostenlos entsorgt werden.

Veillez lire et suivre attentivement l'ensemble des instructions, directives et avertissements figurant dans ce manuel afin d'installer, d'utiliser et d'entretenir le produit correctement à tout moment. Ces instructions DOIVENT rester avec le produit.

En utilisant ce produit, vous confirmez expressément avoir lu attentivement l'ensemble des instructions, directives et avertissements et que vous comprenez et acceptez de respecter les modalités et conditions énoncées dans le présent document. Vous acceptez d'utiliser ce produit uniquement pour l'usage et l'application prévus et conformément aux instructions, directives et avertissements figurant dans le présent manuel, ainsi qu'à toutes les lois et réglementations applicables. En cas de non-respect des instructions et avertissements figurant dans ce manuel, vous risquez de vous blesser ou de blesser d'autres personnes, d'endommager votre produit ou d'endommager d'autres biens à proximité. Le présent manuel produit, y compris les instructions, directives et avertissements, ainsi que la documentation associée peuvent faire l'objet de modifications et de mises à jour. Pour obtenir des informations actualisées sur le produit, veuillez consulter le site documents.dometic.com.

Sommaire

1	Signification des symboles	71
2	Consignes de sécurité	72
3	Contenu de la livraison	75
4	Accessoires	77
5	Usage conforme	77
6	Description technique	77
7	Installation	78
8	Utilisation	98
9	Nettoyage et entretien	100
10	Dépannage	101
11	Garantie	102
12	Mise au rebut	104

1 Signification des symboles



AVERTISSEMENT !

Consignes de sécurité : indiquent une situation dangereuse qui, si elle n'est pas évitée, est susceptible d'entraîner des blessures graves, voire mortelles.



ATTENTION !

Consignes de sécurité : indiquent une situation dangereuse qui, si elle n'est pas évitée, est susceptible d'entraîner des blessures légères ou de gravité modérée.

**AVIS !**

Indiquent une situation dangereuse qui, si elle n'est pas évitée, peut entraîner des dommages matériels.

**REMARQUE**

Informations complémentaires sur l'utilisation de ce produit.

2 Consignes de sécurité



AVERTISSEMENT ! Le non-respect de ces mises en garde peut entraîner des blessures graves, voire mortelles.

Risque d'électrocution (uniquement pour les stores électriques)

- Si l'appareil présente des dégâts visibles, ne le mettez pas en service.
- Si le câble de raccordement de l'appareil est endommagé, il doit être remplacé par le fabricant, son service après-vente ou une personne de qualification similaire ou compétente, afin d'éviter tout danger.
- Une réparation incorrecte peut entraîner de graves dangers.
- Déconnecter le store de l'alimentation électrique avant de commencer toute intervention de maintenance.

Risque pour la santé

- Consignes de sécurité importantes. Ces consignes doivent impérativement être suivies pour garantir la sécurité des personnes. Conservez ces consignes.
- Cet appareil peut être utilisé par des enfants âgés de 8 ans et plus et des personnes ayant des capacités physiques, sensorielles ou mentales réduites ou un manque d'expérience et de connaissances, s'ils sont sous surveillance ou ont reçu des instructions sur l'utilisation de l'appareil en toute sécurité et comprennent les risques impliqués.
- Les enfants ne doivent pas jouer avec cet appareil.
- Le nettoyage et l'entretien ne doivent pas être effectués par des enfants sans surveillance.
- Les stores doivent être rangés avant les manœuvres afin de ne pas gêner la vision du conducteur.

- **Uniquement pour les stores électriques :**

- N'installez pas de stores électriques sur les trappes d'évacuation.
- Toute modification de la conception ou de la configuration de l'équipement sans l'autorisation expresse du fabricant peut entraîner une situation dangereuse.
- Ne laissez pas les enfants jouer avec le dispositif de commande du store interne. Tenez les télécommandes hors de portée des enfants.
- Examinez fréquemment l'installation pour détecter tout signe d'usure ou de détérioration des câbles. N'utilisez pas le produit si une réparation est nécessaire.
- N'utilisez pas le produit lorsque des opérations d'entretien, telles que le nettoyage des vitres, sont réalisées à proximité.

Risque d'étranglement



- Les boucles des cordons de traction, les chaînes, les rubans et les cordons intérieurs nécessaires au fonctionnement du produit présentent un risque d'étranglement pour les jeunes enfants.
- Pour éviter tout risque d'étranglement ou d'enchevêtrement, conservez les cordons hors de portée des jeunes enfants. Les cordons peuvent s'enrouler autour du cou d'un enfant.
- Éloignez les lits, les berceaux et les meubles des fenêtres présentant des cordons.
- N'attachez pas les cordons ensemble. Assurez-vous que les cordons ne s'enchevêtrent pas pour former une boucle.

Risque de suffocation

- Cet appareil contient de petites pièces. Conservez-les hors de portée des enfants de moins de 3 ans.
- L'emballage comprend des sacs en plastique. Conservez-les hors de portée des enfants de moins de 3 ans.



ATTENTION ! Le non-respect de ces mises en garde peut entraîner des blessures légères ou de gravité modérée.

Risque de blessure

- L'appareil ne doit être installé, retiré ou réparé que par une personne qualifiée ou compétente à l'aide de matériel de fixation approprié.
- Prenez des précautions raisonnables lors de l'installation du store et portez un équipement de protection individuelle approprié.

- **Uniquement pour les bateaux et yachts :** Si le store est placé devant une vitre ouverte, il doit être replié lors de déplacements à plus de 10 nœuds ou lorsque l'état de la mer est plus que modéré car cela risque de l'endommager. Le détachement de pièces peut blesser des personnes se tenant dans les environs.




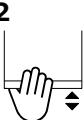
AVIS !

Risque d'endommagement

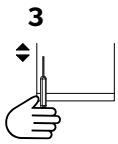
- Les stores doivent être complètement repliés lorsque le bateau ou le véhicule est en déplacement.
- Utilisez des vis et des chevilles adaptées à la construction murale pour fixer le store.
- Veillez à ne pas perforer le mur.
- Assurez-vous que vos mains sont propres ou portez des gants appropriés pour éviter de marquer le tissu.
- **Uniquement pour les stores électriques :**
 - Vérifiez que la tension indiquée sur l'étiquette du câble correspond à l'alimentation électrique dont vous disposez.
 - Utilisez uniquement des câbles de la section appropriée.

3 Contenu de la livraison

1

2



3

4	5
6	7

8	9
10	11
12	13 2x

14	15
16	

17	18
-----------	-----------

Élément dans fig. 1	Quantité	Description
1 – 3	1	Store Conception en fonction du modèle : par exemple, électrique ou manuel, suspension libre ou tendu, version avec 2 ou 3 barres
4	en fonction de la taille du store	Support de rail supérieur pour store électrique
5	en fonction de la taille du store	Couvercle de support en L (en option pour fixation frontale)
6	en fonction de la taille du store	Kit de supports pour version à 3 barres (en option pour fixation frontale)
7	en fonction de la taille du store	Kit de supports pour version à 3 barres (en option pour fixation encastrée)
8, 14	en fonction de la taille du store	Support de rail supérieur pour stores manuels
9	en fonction de la taille du store	Support d'embase
10	2	Embase (en option pour fixation frontale et encastrée, uniquement pour la version à 2 barres)
11	en fonction de la taille du store	Couvercle de support en L
12	en fonction de la taille et de l'angle du store	Support d'embase (en option pour la fixation encastrée, uniquement pour la version à 2 barres)
13	1	Dôme de retenue (en option pour la version à 2 barres, fixé au store fourni)
15	1	Baguette
16	1	Support pour poignée de déblocage
17 – 18	en option	Entretoises pour mettre le store à niveau (en option)

4 Accessoires

Les accessoires peuvent être obtenus en remplissant le formulaire de commande séparé. Vous retrouverez votre service client agréé sur dometic.com.

5 Usage conforme

Le store est adapté à ce qui suit :

- Installation dans les yachts et les bateaux
- Le montage dans des caravanes ou camping-cars

La conception et la taille des stores sont personnalisées. Le matériau des stores est découpé conformément aux spécifications du client.

Les stores sont conçus exclusivement pour un usage en intérieur et ne doivent pas être installés dans les salles de bains, salles d'eau ou autres endroits avec un taux d'humidité élevé.

Ce produit convient uniquement à l'usage et à l'application prévus, conformément au présent manuel d'instructions.

Ce manuel fournit les informations nécessaires à l'installation et/ou à l'utilisation correcte du produit. Une installation, une utilisation ou un entretien inappropriés entraînera des performances insatisfaisantes et une éventuelle défaillance.

Le fabricant décline toute responsabilité en cas de blessure ou de dommage résultant :

- d'un montage ou d'un raccordement incorrect, y compris d'une surtension
- d'un entretien inadapté ou de l'utilisation de pièces de rechange autres que les pièces de rechange d'origine fournies par le fabricant
- de modifications apportées au produit sans autorisation explicite du fabricant
- d'usages différents de ceux décrits dans ce manuel.

Dometic se réserve le droit de modifier l'apparence et les spécifications produit.

6 Description technique

Différents types de fonctionnement sont disponibles pour le store :

- Manuel, tendu
- Manuel, suspension libre
- Électrique, tendu

- Électrique, suspension libre

Les modèles tendus nécessitent une fixation des cordons du côté opposé au rail supérieur :

- Supports de fixation pour la version à 3 barres
- Options de retenue pour la version à 2 barres



REMARQUE

Après la livraison, vérifiez que le type de store et le contenu de la livraison sont conformes à la confirmation de commande. Le numéro indiquant le type de store se trouve sur l'étiquette du produit, à l'arrière du rail supérieur. Les paires de pièces fournies peuvent se ressembler.

7 Installation



ATTENTION ! Risque de blessure

Consignes de sécurité importantes. Suivez l'ensemble des consignes, car une installation incorrecte peut entraîner des blessures graves.

7.1 Installation du rail supérieur



AVERTISSEMENT !

Stores électriques : Débranchez l'alimentation électrique avant de commencer et assurez-vous qu'elle ne peut pas être rebranchée tant que l'installation n'est pas terminée.

Le store peut être fixé sur la surface d'un mur, dans un renforcement mural ou au plafond. Le rail supérieur peut être monté en haut ou en bas de la fenêtre. Il existe différents rails supérieurs pour les stores électriques et les stores manuels.

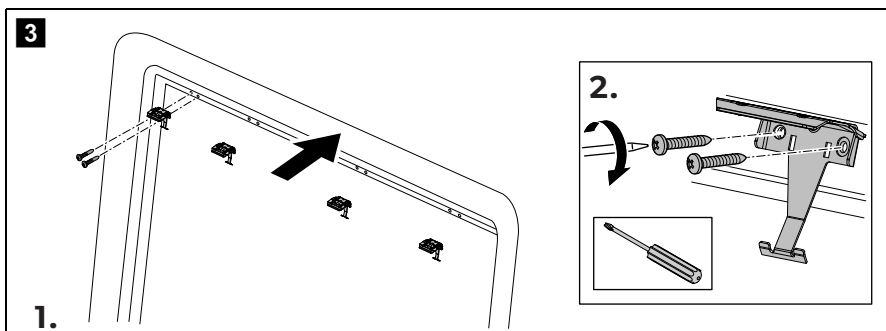
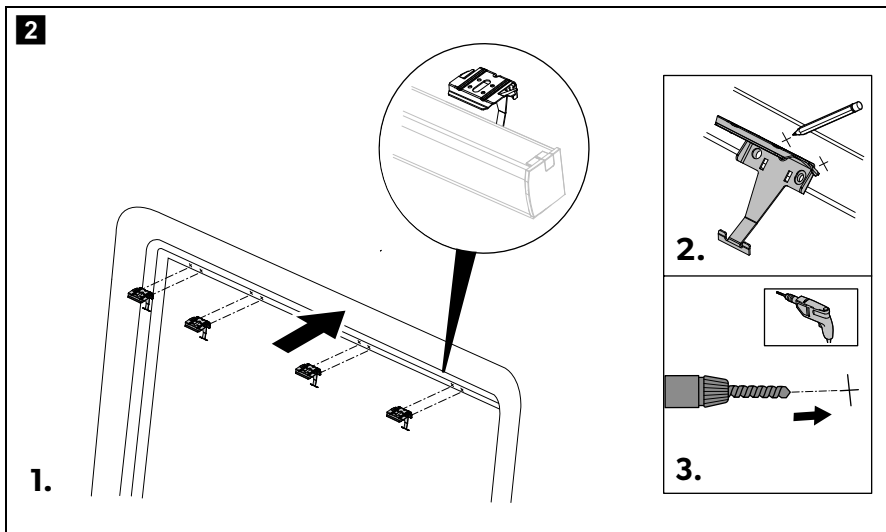
En fonction de l'espace disponible à l'emplacement d'installation, l'ordre de montage des composants du store peut varier (par exemple, monter la barre inférieure en premier).

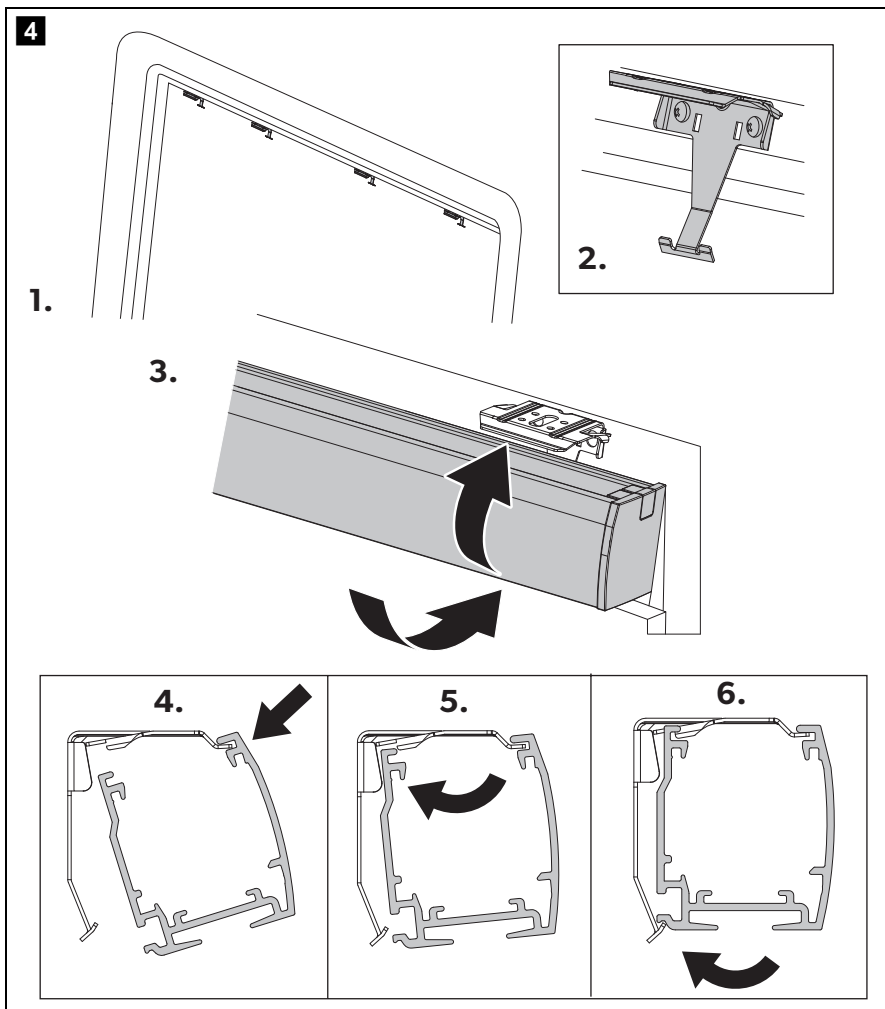


REMARQUE

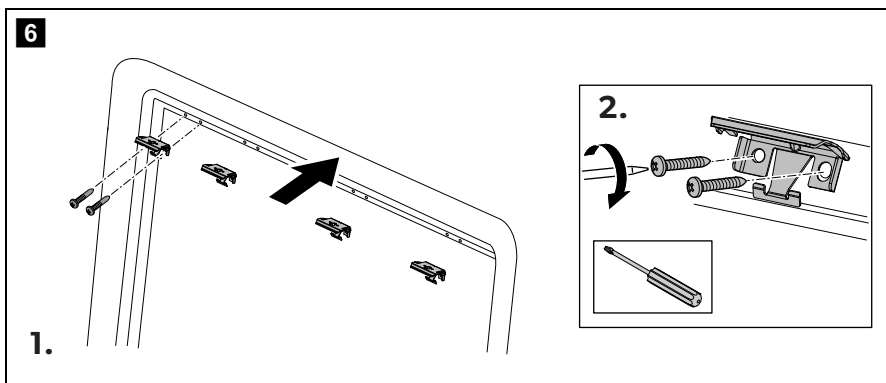
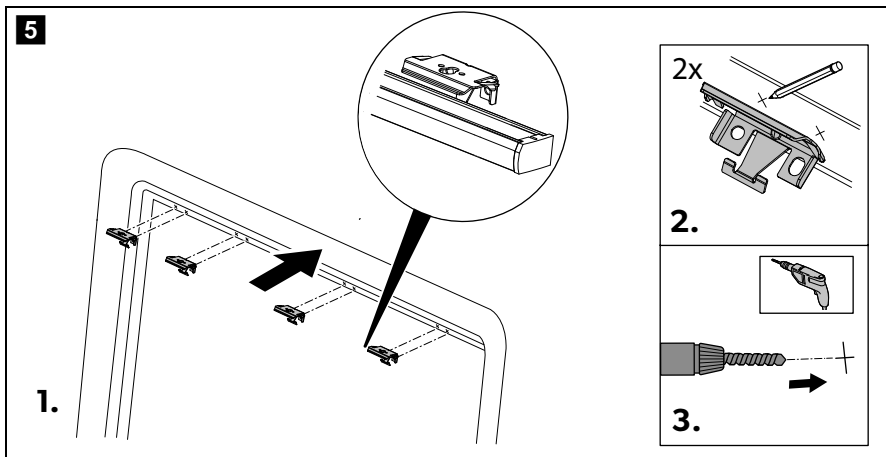
Assurez-vous qu'il y a suffisamment d'espace derrière les supports pour pouvoir accéder au clip de déverrouillage.

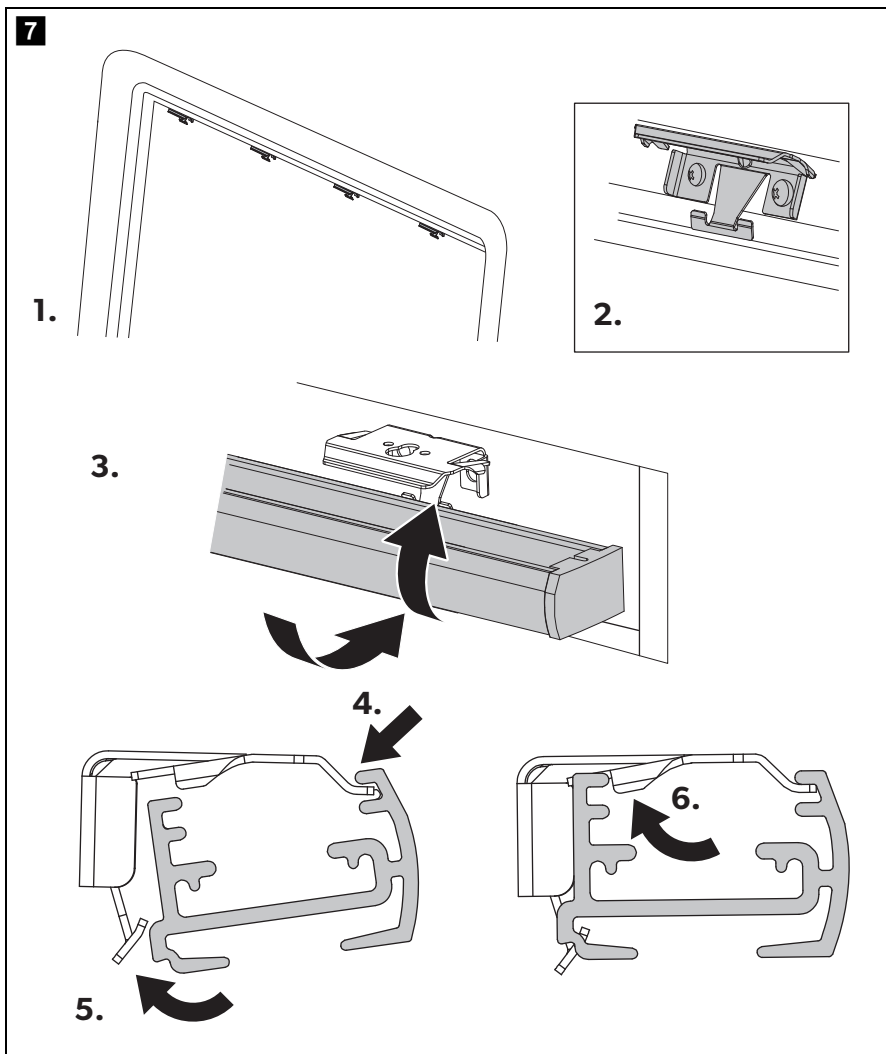
Rail supérieur électrique - fixation en surface



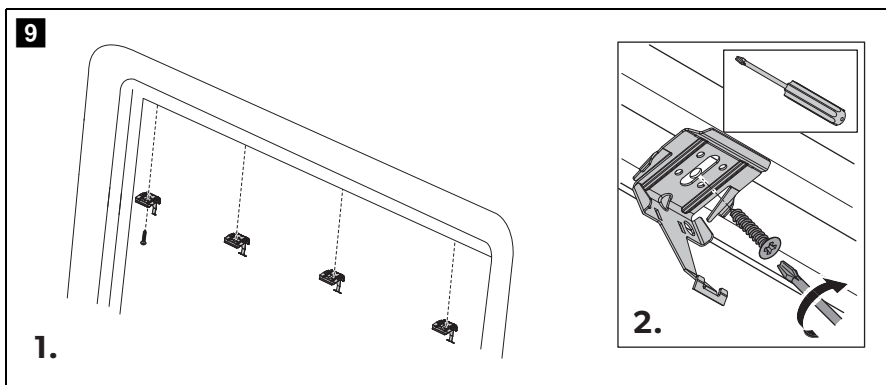
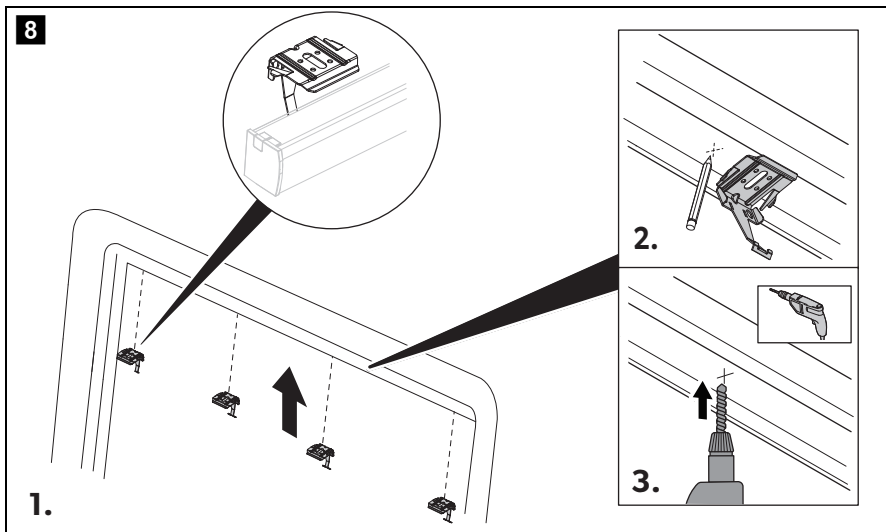


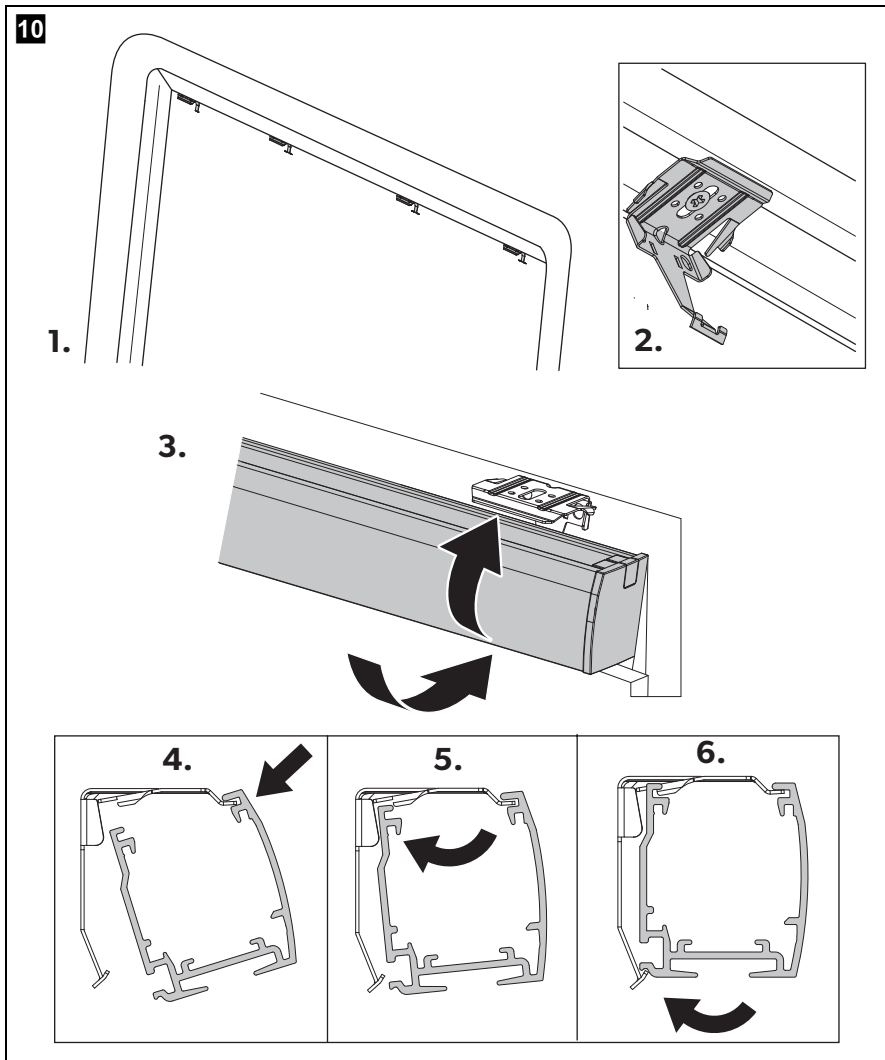
Rail supérieur manuel - fixation en surface



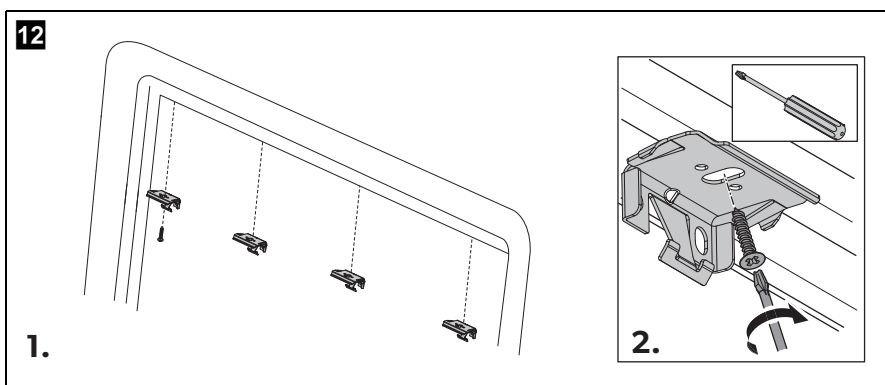
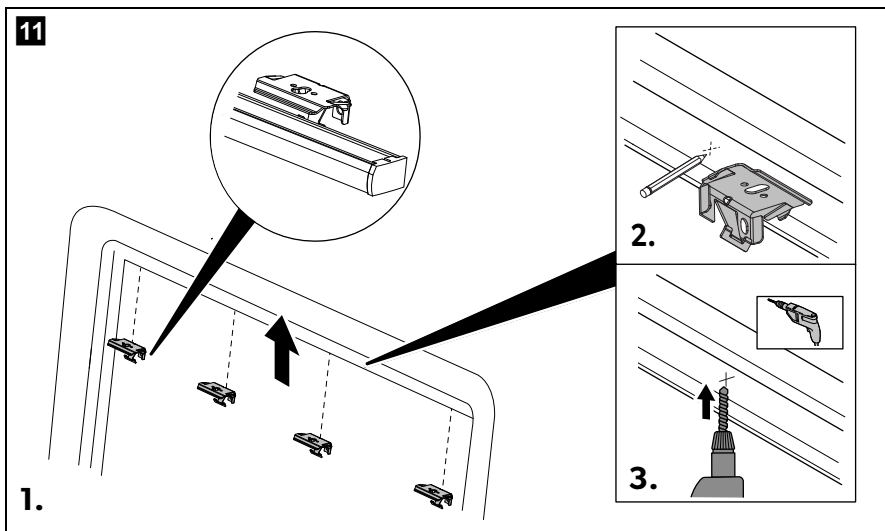


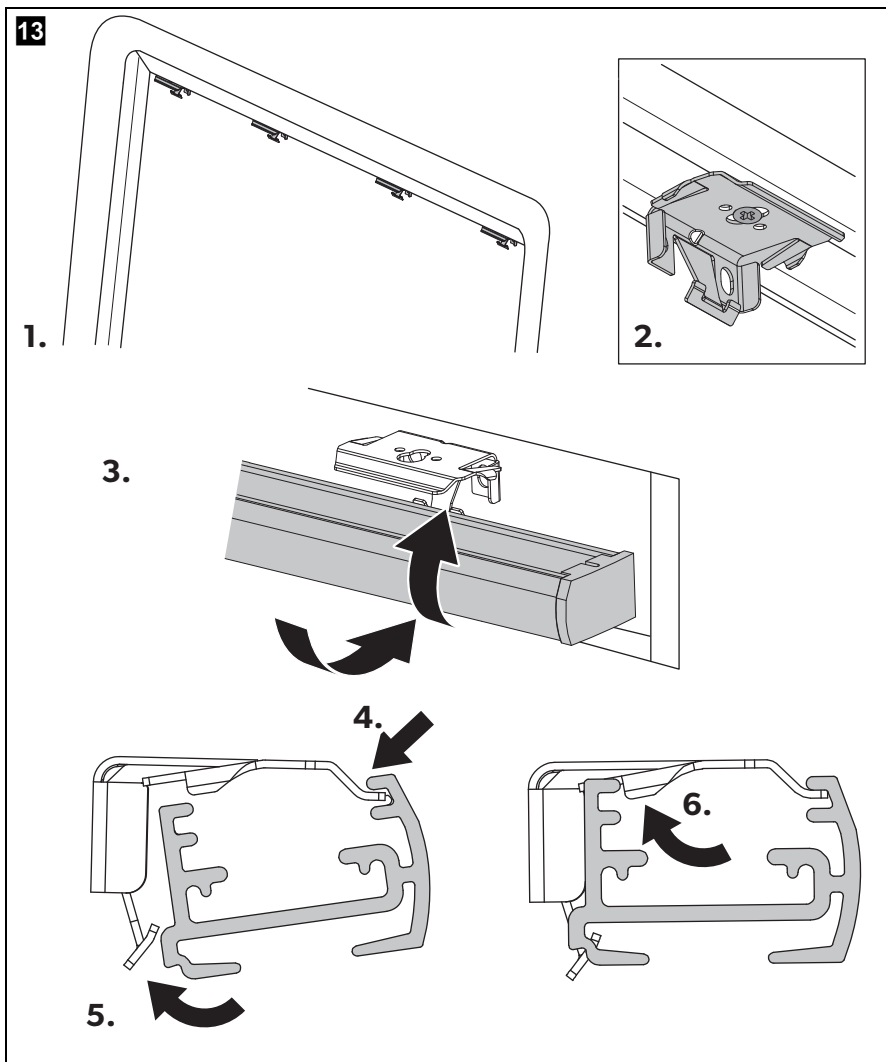
Rail supérieur électrique - fixation encastrée





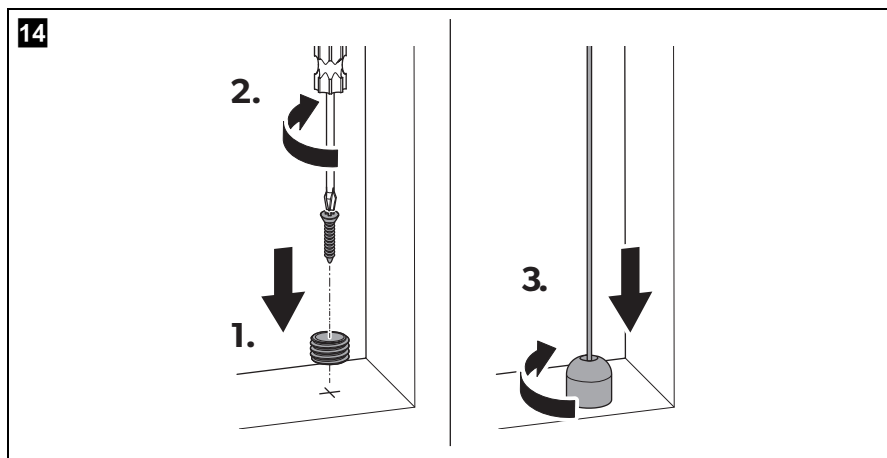
Rail supérieur manuel - fixation encastrée



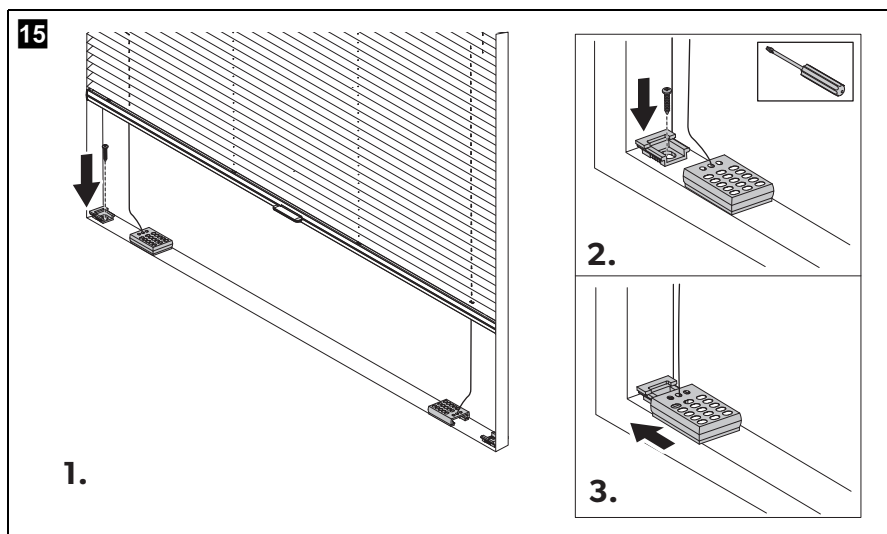


7.2 Fixation des retenues

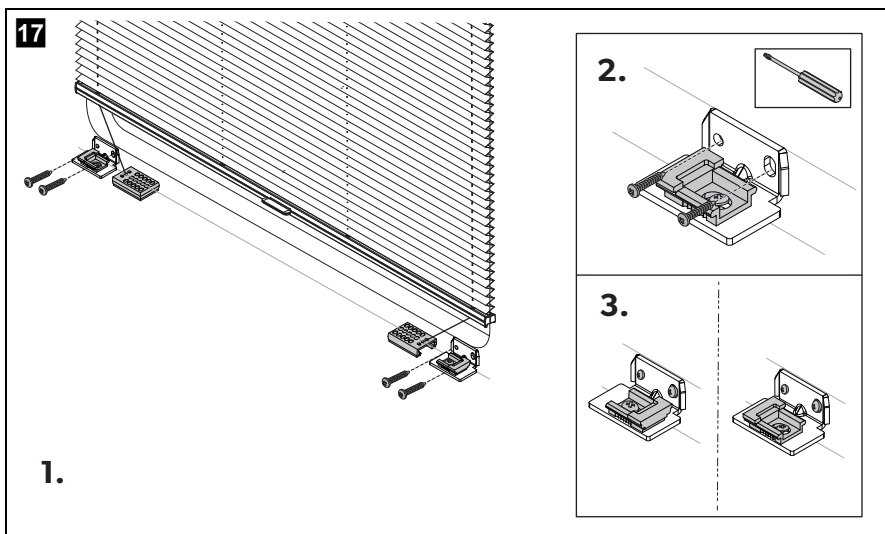
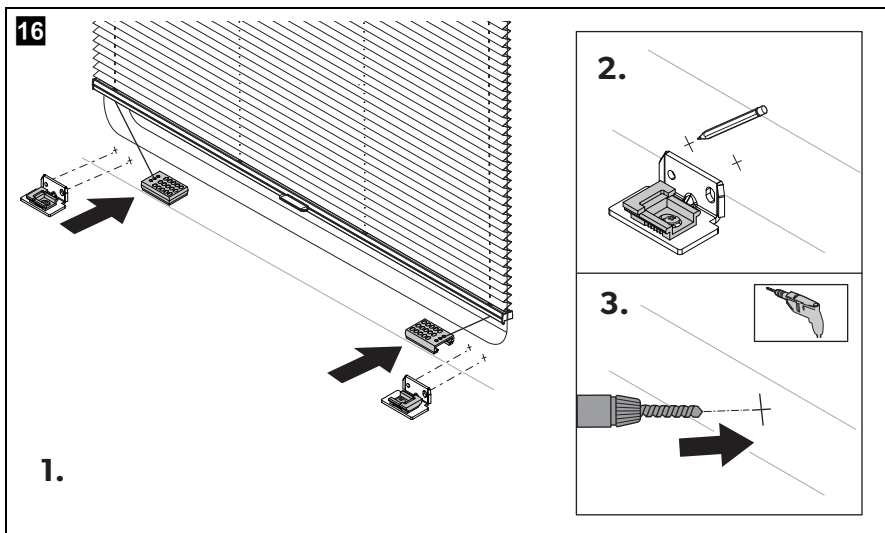
Dômes de retenue - fixation encastrée

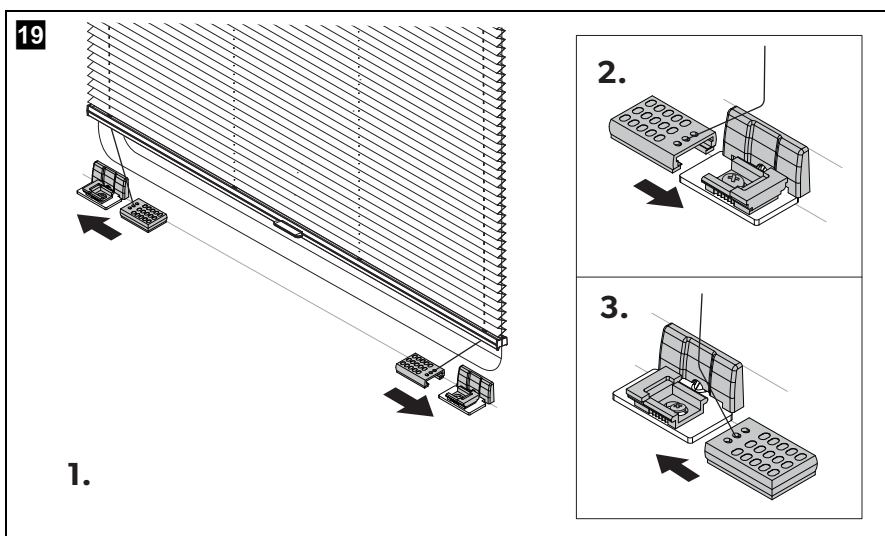
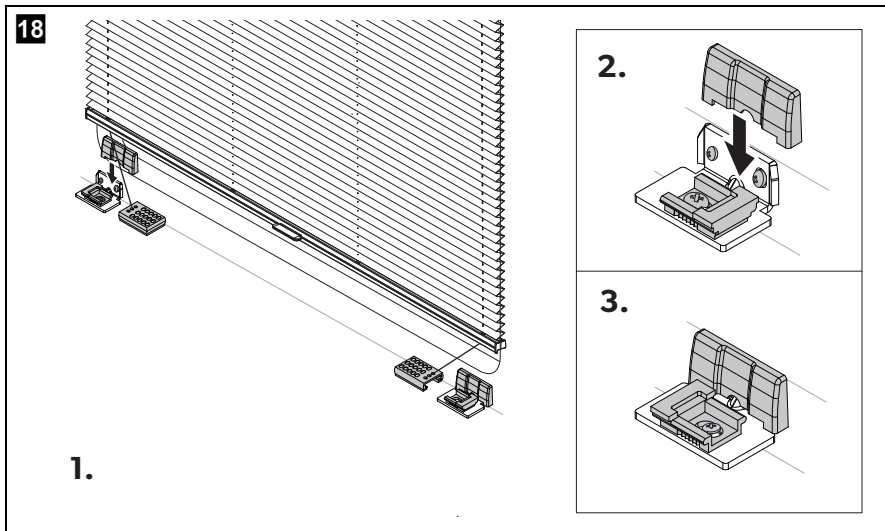


Embase - fixation inférieure encastrée



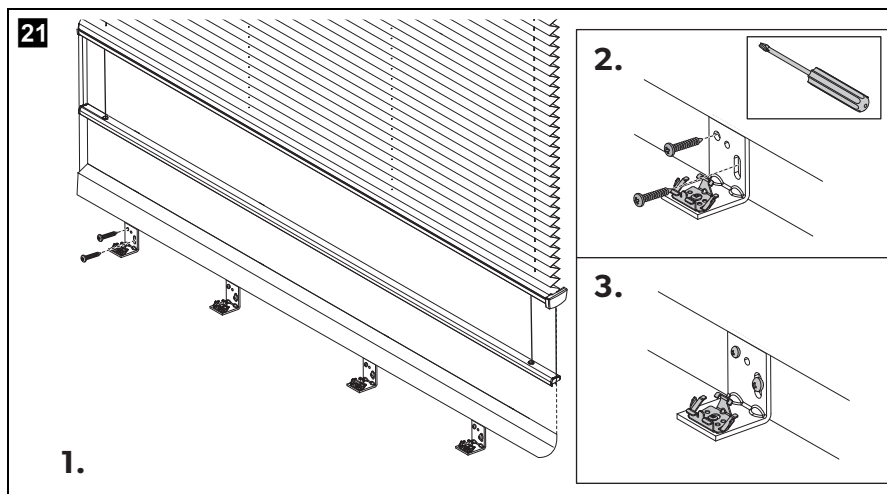
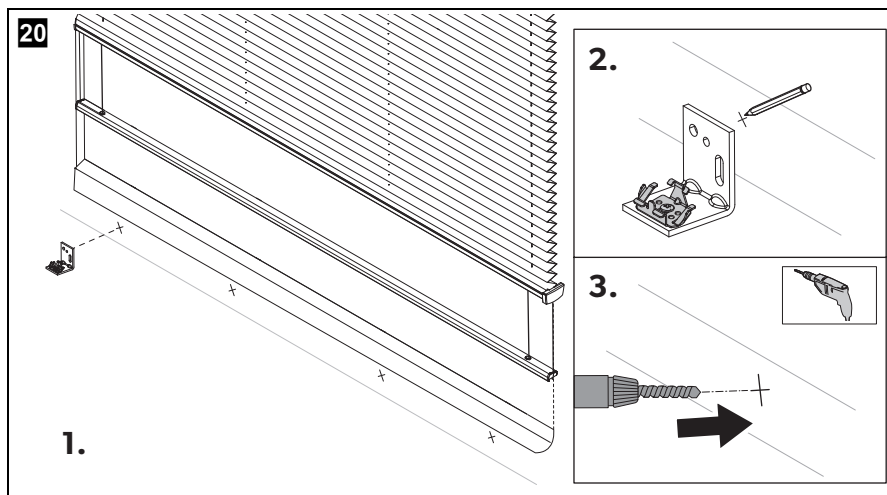
Embase - fixation en surface

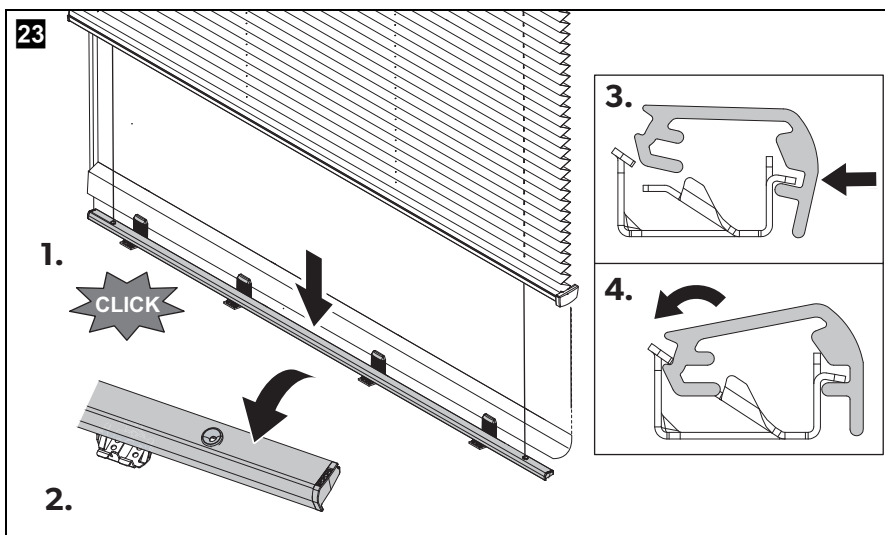
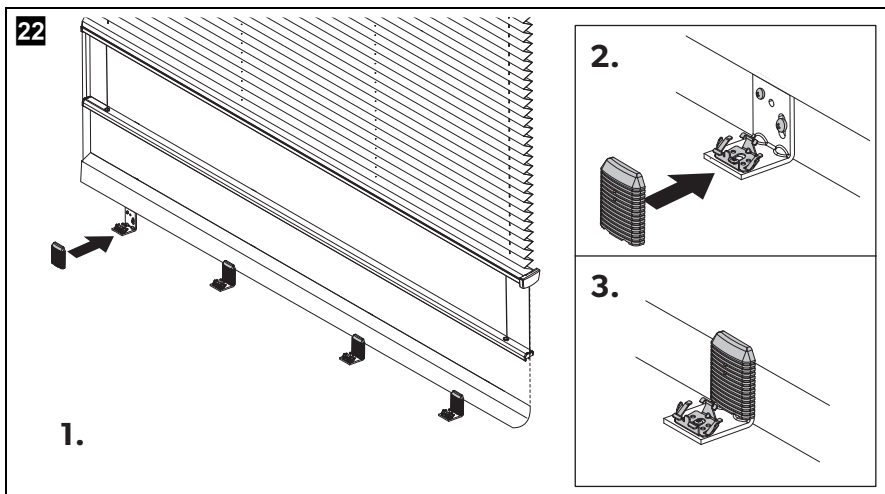




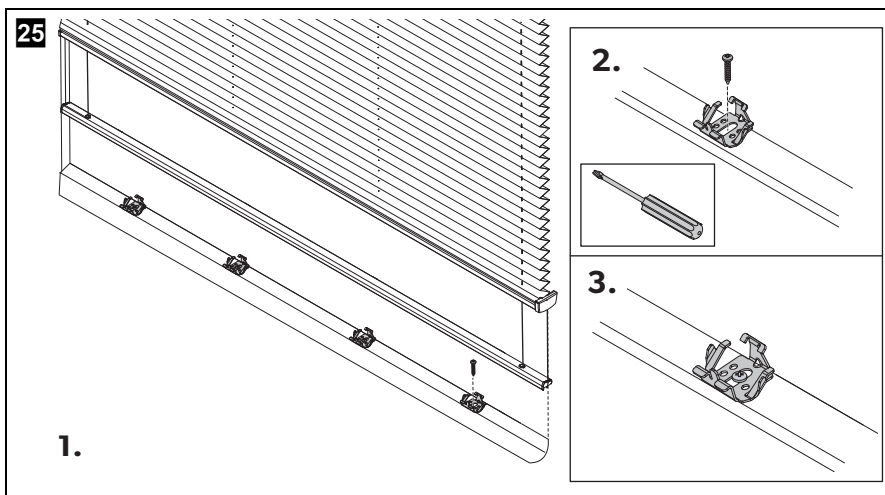
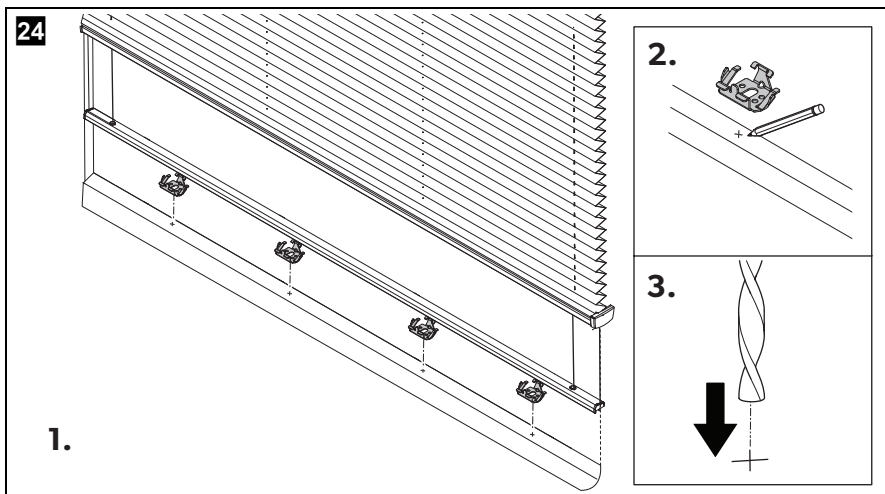
7.3 Fixation de la barre inférieure

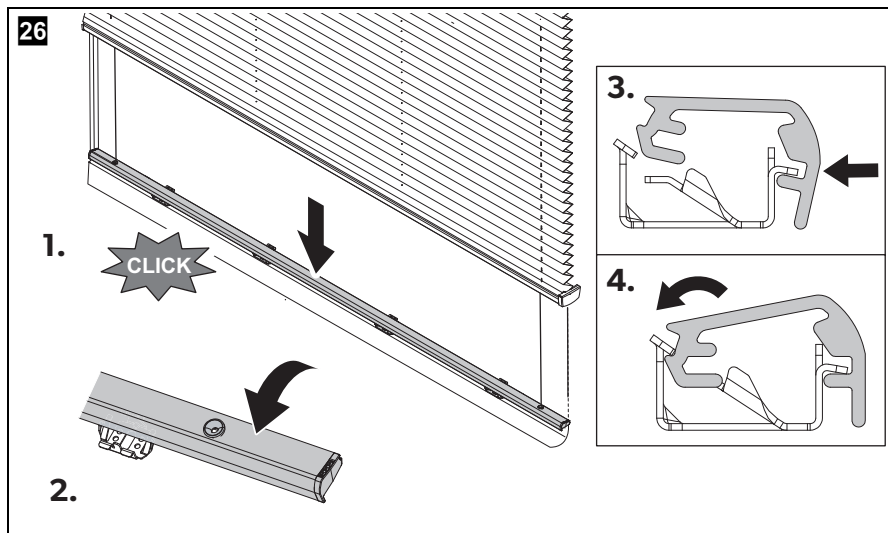
Barre inférieure - fixation en surface



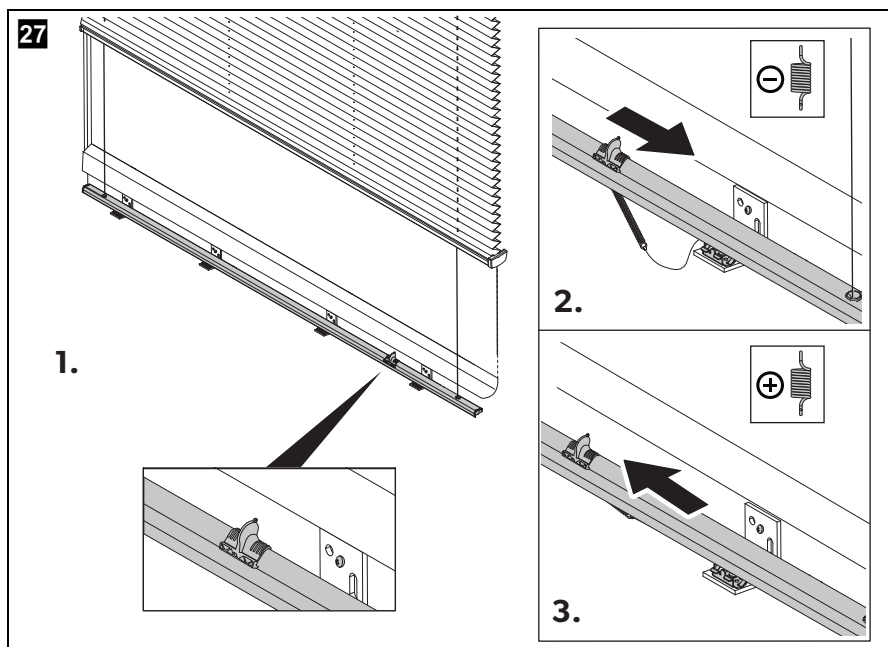


Barre inférieure - fixation encastrée





7.4 Tension des cordons (uniquement avec le tendeur rapide en option)



7.5 Raccordement des stores (uniquement pour les stores électriques)

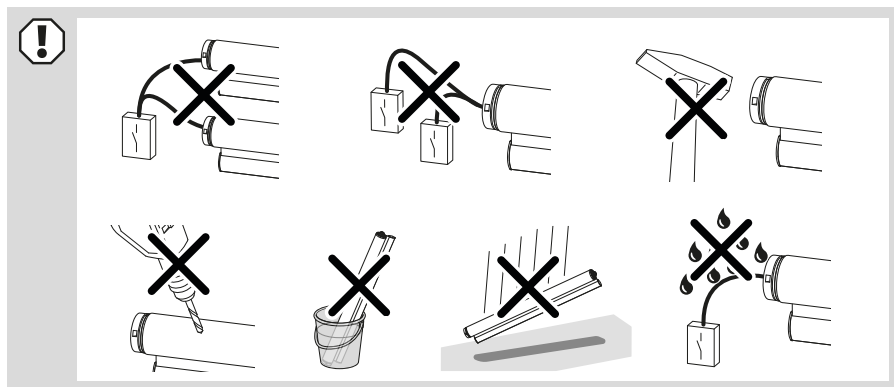


L'alimentation électrique doit être raccordée par un électricien qualifié disposant des compétences et des connaissances requises en matière de structure et de fonctionnement d'équipements et d'installations électriques et ayant suivi une formation de sécurité afin d'identifier et d'éviter les risques associés.

Les stores électriques doivent être raccordés à une alimentation 12/24 V $\overline{=}$. La plaque signalétique située sur le rail supérieur fournit des informations importantes sur les spécifications du moteur du store.

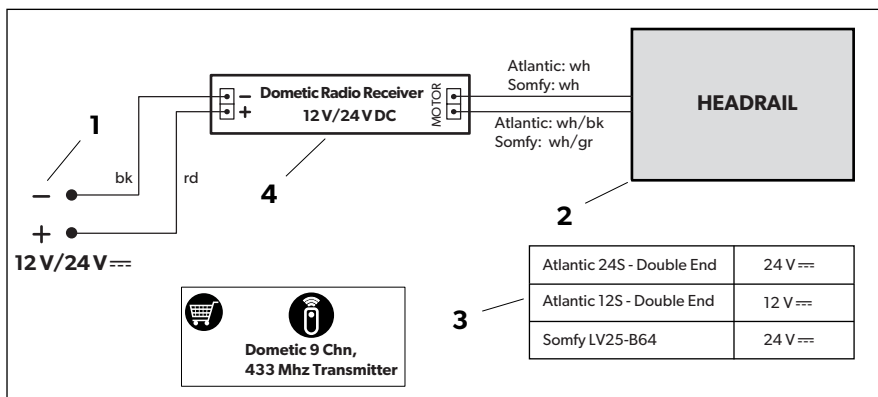
Les consignes suivantes doivent être respectées lors du raccordement des stores :

- Veillez à ce que les câbles ne soient pas endommagés pendant l'installation. Le passage des câbles à travers les murs ou les cloisons doit être protégé et isolé à l'aide de gaines, passe-câbles ou conduites appropriés.
- Assurez-vous de disposer d'une ligne d'alimentation stabilisée 12 V ou 24 V pour l'entraînement sur le lieu d'installation. La ligne est conçue et protégée en conséquence.
- Le produit doit être connecté à une alimentation électrique adaptée, comme indiqué sur l'étiquette apposée sur celui-ci. Le moteur du produit est conçu pour se couper si le courant défini est dépassé, mais l'alimentation doit être équipée d'un fusible pour protéger le câblage vers le produit.
- Sécurisez tous les câbles de manière à éviter tout contact avec des pièces mobiles.
- Utilisez uniquement des unités d'alimentation et des éléments de commande recommandés par le fabricant pour éviter tout dommage ou défaut pendant le fonctionnement causé par des composants électriques incompatibles.
- Les dispositifs de commande (p. ex. commutateurs) doivent être installés dans des endroits bien visibles.
- Une alimentation électrique régulée conforme aux spécifications requises est nécessaire pour chaque moteur. Dans le cas contraire, il se peut que le moteur ne fonctionne pas correctement.
- Tout ajustement des positions de butée définies doit uniquement être effectué en suivant la méthode spécifiée pour le type de moteur, afin d'éviter de l'endommager.

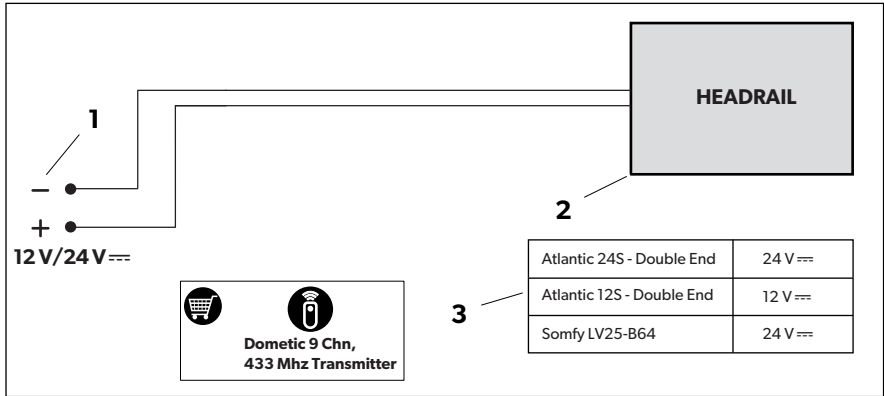


► Branchez le moteur comme indiqué dans les schémas de câblage.

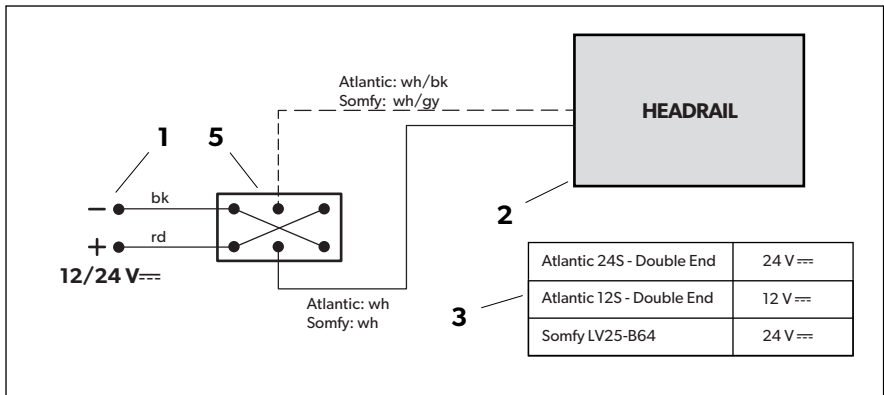
Récepteur externe des stores radiocommandés Dometic



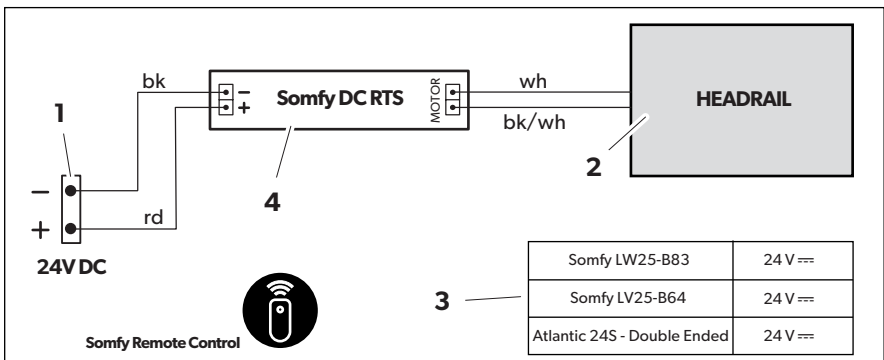
Récepteur interne des stores radiocommandés Dometic



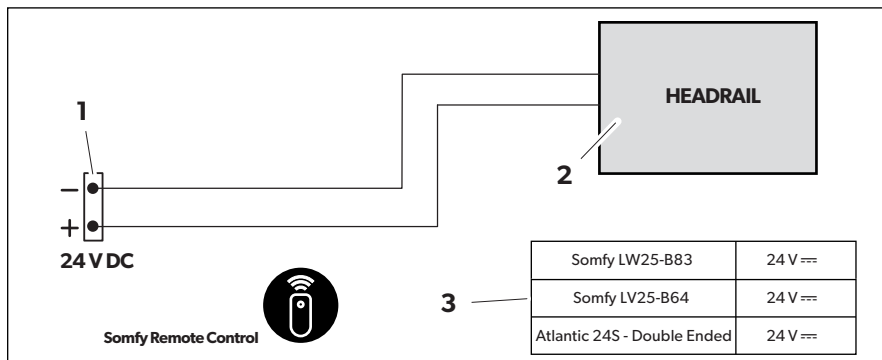
Stores à commande manuelle



Récepteur externe des stores RTS Somfy



Récepteur interne des stores RTS Somfy



Légende des schémas de câblage

Pos.	Description
1	Alimentation
2	Rail supérieur
3	Options de moteur pour le rail supérieur
4	Récepteur externe
5	Commutateur DPDT fourni par le client (bipolaire, deux directions), arrêt central, à verrouillage ou instantané, 12/24 V ~, 3 A
bk	noir
rd	rouge
gy	gris
wh	blanc



REMARQUE

- Les accessoires peuvent être obtenus en remplissant le formulaire de commande séparé.
- Respectez les consignes applicables aux commandes et les éléments de commande fournies.

8 Utilisation



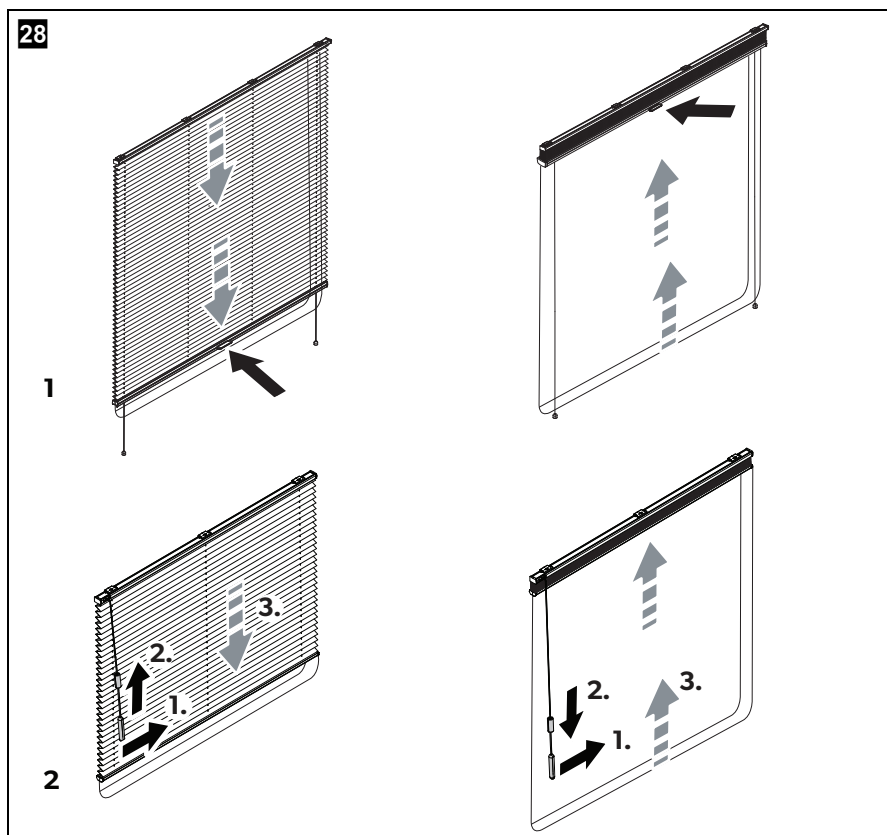
ATTENTION ! Risque de blessure

Uniquement pour les bateaux et yachts : Si le store est placé devant une vitre ouverte, il doit être replié lors de déplacements à plus de 10 nœuds ou lorsque l'état de la mer est plus que modéré car cela risque de l'endommager. Le détachement de pièces peut blesser des personnes se tenant dans les environs.

8.1 Utilisation des stores manuels

Le store peut être déplacé dans n'importe quelle position à l'aide de la poignée.

► Procédez comme indiqué pour actionner le store manuel.

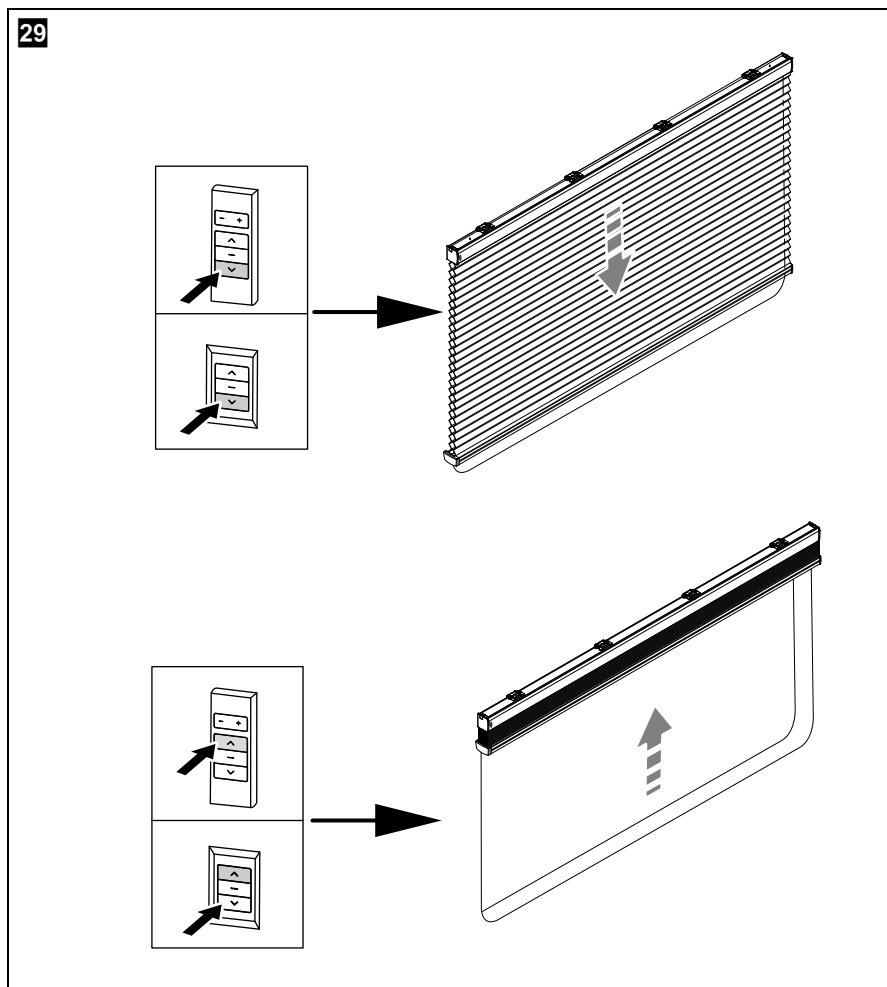


8.2 Utilisation des stores électriques

Tenez compte des consignes suivantes :

- Les stores peuvent tous être arrêtés dans n'importe quelle position.
- En cas d'utilisation du store avec un système d'automatisation, le fonctionnement dépend de la programmation des commandes.
- Le store est réglé en usine pour s'arrêter automatiquement :
 - Lorsque le store est entièrement déployé
 - Lorsque le store est entièrement replié

► Procédez comme indiqué pour actionner le store électrique.



**REMARQUE**

Pour des raisons de sécurité, les moteurs sont équipés d'un disjoncteur thermique à réarmement automatique intégré. Une utilisation prolongée ou une surcharge du store pourrait déclencher la coupure. Si cela se produit, laissez le moteur refroidir pendant une demi-heure.

9 Nettoyage et entretien

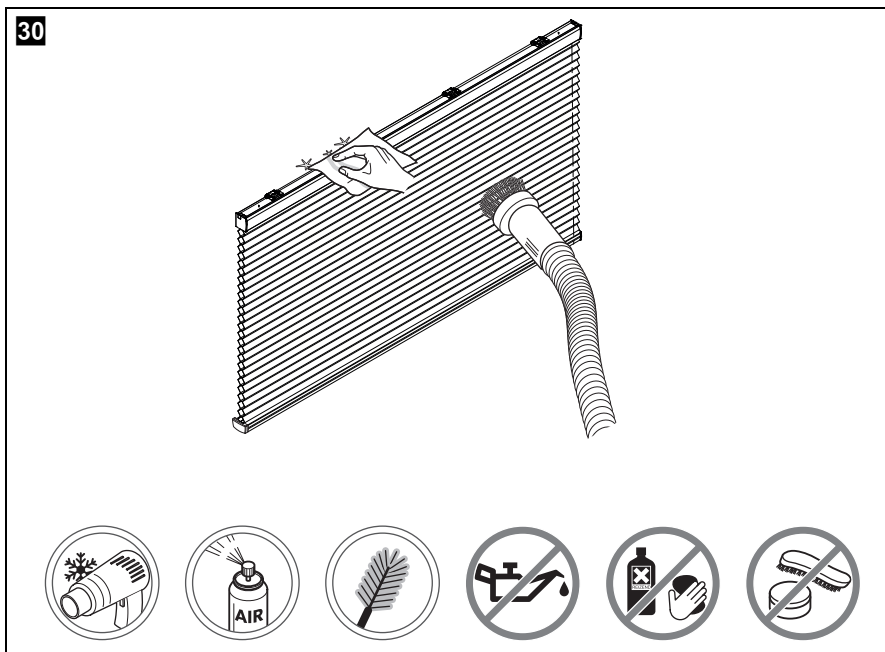
**AVERTISSEMENT ! Risque de blessure**

Stores électriques : Prenez les mesures organisationnelles appropriées pour empêcher le fonctionnement du store lors de l'entretien ; par exemple lors du nettoyage des fenêtres ou des murs à proximité des stores qui peuvent être actionnés depuis une position où le store n'est pas visible.

**AVIS ! Risque d'endommagement**

- Le store ne doit être ni graissé, ni huilé, ni lubrifié. L'utilisation de lubrifiants endommagerait le tissu.
- Le frottement peut endommager les tissus.
- Le nettoyage de taches peut entraîner l'apparition de zones plus propres que les zones environnantes.
- Ne faites pas tremper les stores.
- Le fabricant recommande de tester d'abord les produits de nettoyage sur une zone cachée du store.

► Procédez comme indiqué pour nettoyer le stores.



10 Dépannage

Panne	Solution
Tension trop faible	► Voir chapitre « Installation », page 78.
Le store tendu ne se déploie pas correctement	► Vérifiez les positions de blocage et les dimensions de l'évidement.
Stores électriques :	
Le store s'arrête dans une mauvaise position	► Reportez-vous au manuel de votre dispositif de commande.

Panne	Solution
Les différents stores fonctionnent à des vitesses différentes	➤ Reportez-vous au manuel de votre dispositif de commande.
Le store électrique ne fonctionne pas	➤ Une utilisation répétée ou prolongée peut entraîner l'activation de la coupure thermique intégrée. Laissez le moteur refroidir pendant 20 minutes, puis réessayez. ➤ Vérifiez l'alimentation en tension du store. ➤ Vérifiez si le câblage de l'alimentation en tension du moteur est correct. ➤ Si le moteur ne fonctionne toujours pas après avoir vérifié l'alimentation en tension, contactez Dometic.

11 Garantie

Reportez-vous aux sections ci-dessous pour plus d'informations sur la garantie et le support de garantie.

11.1 Australie et Nouvelle-Zélande

Si le produit est défectueux, contactez votre revendeur ou la filiale locale du fabricant (voir dometic.com/dealer). La garantie applicable à votre produit est de 1 an(s).

Pour toutes réparations ou autres prestations de garantie, veuillez joindre à l'appareil les documents suivants :

- une copie de la facture avec la date d'achat
- un motif de réclamation ou une description du dysfonctionnement

Australie uniquement

La garantie de nos produits ne peut faire l'objet d'une exclusion, conformément à l'Australian Consumer Law (loi sur la protection des consommateurs en Australie). Vous êtes éligible à un remboursement intégral en cas de panne majeure et à un dédommagement pour toute autre perte ou dommage prévisible. Vous êtes également éligible à la réparation ou au remplacement des produits s'ils n'offrent pas un niveau de qualité acceptable, mais ne présentent pas de panne majeure.

Nouvelle-Zélande uniquement

Cette politique de garantie est soumise aux conditions et garanties obligatoires, conformément aux directives du Consumer Guarantees Act 1993(NZ).

Service d'assistance local

Pour obtenir une assistance locale, rendez-vous sur : dometic.com/dealer

11.2 États-Unis et Canada

GARANTIE LIMITÉE DISPONIBLE SUR
DOMETIC.COM/WARRANTY.

POUR TOUTE QUESTION OU POUR OBTENIR UNE COPIE GRATUITE DE LA GARANTIE LIMITÉE, CONTACTEZ :

DOMETIC CORPORATION
CUSTOMER SUPPORT CENTER
2320 INDUSTRIAL PARKWAY
ELKHART, INDIANA, 46516
1-800-544-4881
customersupportcenter@dometic.com

11.3 Toutes les autres régions

La période de garantie légale s'applique. Si le produit s'avérait défectueux, veuillez vous adresser à la succursale du fabricant située dans votre région (dometic.com/dealer) ou à votre revendeur.

Pour toutes réparations ou autres prestations de garantie, veuillez joindre à l'appareil les documents suivants :

- une copie de la facture avec la date d'achat
- un motif de réclamation ou une description du dysfonctionnement

Notez que toute réparation effectuée par une personne non agréée peut présenter un risque de sécurité et annuler la garantie.

12 Mise au rebut

12.1 Australie et Nouvelle-Zélande



- Le cas échéant, jetez les emballages recyclables dans les conteneurs de déchets prévus à cet effet.
- Pour éliminer définitivement le produit, contactez le centre de recyclage le plus proche ou votre revendeur spécialisé afin de vous informer sur les dispositions relatives au retraitement des déchets.

12.2 Tous les autres pays



- Le cas échéant, jetez les emballages recyclables dans les conteneurs de déchets prévus à cet effet.
- Pour éliminer définitivement le produit, contactez le centre de recyclage le plus proche ou votre revendeur spécialisé afin de vous informer sur les dispositions relatives au retraitement des déchets.
- Le produit peut être mis au rebut gratuitement.

Lea atentamente estas instrucciones y siga las indicaciones, directrices y advertencias incluidas en este manual para asegurarse de que instala, usa y mantiene correctamente el producto en todo momento. Estas instrucciones DEBEN permanecer con este producto.

Al usar el producto, usted confirma que ha leído cuidadosamente todas las instrucciones, directrices y advertencias, y que entiende y acepta cumplir los términos y condiciones aquí establecidos. Usted se compromete a usar este producto solo para el propósito y la aplicación previstos y de acuerdo con las instrucciones, directrices y advertencias establecidas en este manual del producto, así como de acuerdo con todas las leyes y reglamentos aplicables. La no lectura e incumplimiento de las instrucciones y advertencias aquí expuestas puede causarle lesiones a usted o a terceros, daños en el producto o daños en otras propiedades cercanas. Este manual del producto, incluyendo las instrucciones, directrices y advertencias, y la documentación relacionada, pueden estar sujetos a cambios y actualizaciones. Para obtener información actualizada sobre el producto, visite la página documents.dometic.com.

Índice

1	Explicación de los símbolos	105
2	Indicaciones de seguridad	106
3	Volumen de entrega	109
4	Accesorios.	111
5	Uso previsto	111
6	Descripción técnica	112
7	Instalación	112
8	Funcionamiento	132
9	Limpieza y mantenimiento	134
10	Solución de problemas.	135
11	Garantía	136
12	Eliminación	138

1 Explicación de los símbolos



¡ADVERTENCIA!

Información de seguridad: Indica una situación peligrosa que, de no evitarse, puede ocasionar la muerte o lesiones graves.



¡ATENCIÓN!

Información de seguridad: Indica una situación peligrosa que, de no evitarse, puede ocasionar o lesiones moderadas o leves.

**¡AVISO!**

Indica una situación peligrosa que, de no evitarse, puede provocar daños materiales.

**NOTA**

Información adicional para el manejo del producto.

2 Indicaciones de seguridad



¡ADVERTENCIA! El incumplimiento de estas advertencias podría acarrear la muerte o lesiones graves.

Peligro de electrocución (solo para estores eléctricos)

- No ponga el aparato en funcionamiento si presenta desperfectos visibles.
- Si se daña el cable de conexión del aparato, el fabricante, su servicio de atención al cliente o una persona cualificada o competente debe reemplazarlo para evitar así posibles peligros.
- Las reparaciones realizadas incorrectamente pueden generar situaciones de considerable peligro.
- Desconecte el estor de la red eléctrica antes de llevar a cabo un trabajo de mantenimiento.

Riesgo para la salud

- Indicaciones de seguridad importantes. Es importante para la seguridad de las personas cumplir estas instrucciones. Guarde estas instrucciones en un lugar seguro.
- Este aparato puede ser utilizado por menores a partir de 8 años y personas con capacidad física, sensorial o mental reducida, o con falta de experiencia y conocimientos, siempre que lo hagan bajo supervisión o hayan recibido instrucciones relativas al uso del mismo de manera segura y entendiendo los riesgos asociados.
- No deje que los niños jueguen con el aparato.
- Los menores no deberán limpiar ni realizar el mantenimiento de usuario sin la debida supervisión.
- Los estores deben estar recogidos antes de maniobrar para no limitar la visión del conductor.

- **Solo para estores eléctricos:**

- No instale estores eléctricos en escotillas de evacuación.
- La modificación del diseño o configuración del equipo sin el permiso expreso del fabricante puede crear una situación peligrosa.
- No permita que los niños jueguen con el dispositivo de control del estor interno. Mantenga los controles remotos fuera del alcance de los niños.
- Examine periódicamente la instalación en busca de signos de desgaste o daños en los cables. No utilice el producto si es necesario repararlo.
- No ponga el producto en funcionamiento cuando se estén llevando a cabo tareas de mantenimiento en la zona, como la limpieza de cristales.

Peligro de estrangulación



- Los niños pequeños corren el peligro de sufrir una estrangulación con los bucles formados por las cuerdas de accionamiento, cadenas, cintas y cables internos que hacen funcionar el producto.
- Para evitar estrangulamientos y enredos, mantenga las cuerdas fuera del alcance de los niños pequeños. Existe el riesgo de que las cuerdas queden enrolladas alrededor del cuello de un niño.
- Aleje las camas, cunas y otros muebles de la ventana que cubre las cuerdas.
- No ate las cuerdas entre sí. Asegúrese de que las cuerdas no se tuerzan y creen un bucle.

Riesgo de asfixia

- Este aparato contiene piezas pequeñas. Manténgalo alejado de los menores de 3 años.
- El embalaje incluye bolsas de plástico. Manténgalas alejadas de los menores de 3 años.



¡ATENCIÓN! El incumplimiento de estas precauciones podría acarrear lesiones moderadas o leves.

Peligro de lesiones

- Este aparato solamente puede ser instalado, desinstalado o reparado por personal cualificado o competente y utilizando el material de fijación adecuado.
- Tome las precauciones necesarias al instalar el estor y utilice un equipo de protección personal adecuado.

- **Solo para yates o embarcaciones:** Si el estor está instalado delante de una ventana abierta, póngalo en posición recogida si la embarcación navega a más de 10 nudos o si el oleaje es más que moderado, ya que esto podrá ocasionar daños al estor. Las piezas que se sueltan pueden lesionar a personas que se encuentren en el entorno.

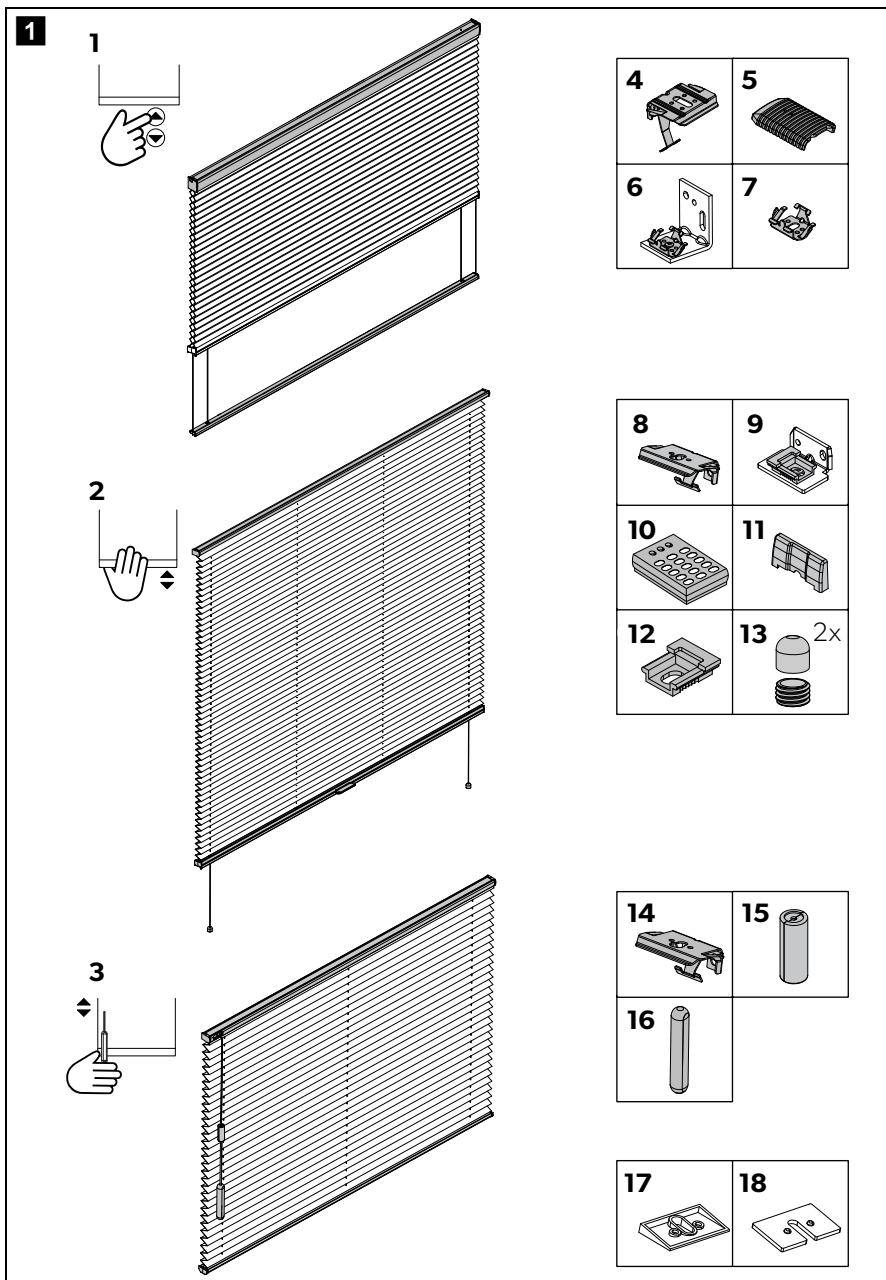


¡AVISO!

Peligro de daños

- Los estores deben estar completamente recogidos cuando el barco o el vehículo está en movimiento.
- Utilice tornillos y clavijas adecuados para la estructura de la pared con el fin de fijar el estor.
- Asegúrese de no taladrar completamente la pared.
- Asegúrese de que sus manos están limpias o lleve guantes adecuados para evitar dejar marcas en el tejido.
- **Solo para estores eléctricos:**
 - Compare que la especificación de voltaje en la etiqueta del cable sea la misma que la del suministro de energía existente.
 - Utilice solamente cables con una sección adecuada.

3 Volumen de entrega



Elemento en la fig. 1	Cantidad	Descripción
1 – 3	1	Unidad de estor El diseño depende del modelo: eléctrico o manual, colgante o tensado, versión de 2 o 3 barras
4	depende del tamaño del estor	Soporte del riel del cabezal para estor eléctrico
5	depende del tamaño del estor	Tapa del soporte en L (opcional para fijación en la pared)
6	depende del tamaño del estor	Juego de soportes para la versión de 3 barras (opcional para fijación en la pared)
7	depende del tamaño del estor	Juego de soportes para la versión de 3 barras (opcional para fijación en el hueco de ventana)
8, 14	depende del tamaño del estor	Soporte del riel del cabezal para estores eléctricos
9	depende del tamaño del estor	Base de la placa de pie
10	2	Placa de pie (opcional para la fijación en pared o hueco de ventana, solo para la versión de 2 barras)
11	depende del tamaño del estor	Tapa del soporte en L
12	depende del tamaño y ángulo del estor	Base de la placa de pie (opcional para la fijación en hueco de ventana, solo para la versión de 2 barras)
13	1	Kit de sujeción de cúpula (opcional para la versión de 2 barras, montado en el estor suministrado)
15	1	Vástago/tuerca ciega
16	1	Soporte para tirador de liberación
17 – 18	opcional	Espaciadores para nivelar el estor (opcionales)

4 Accesorios

Los accesorios se pueden solicitar mediante el formulario de pedido separado. En dometic.com podrá encontrar su servicio de atención al cliente autorizado.

5 Uso previsto

El estor es adecuado para:

- Instalación en yates y embarcaciones
- Instalación en caravanas y autocaravanas

El diseño y tamaño de los estores es personalizado. La tela de los estores se corta siguiendo las indicaciones del cliente.

Los estores están diseñados exclusivamente para su uso en interiores y no es recomendable su instalación en baños, cuartos húmedos u otros espacios con alto nivel de humedad.

Este producto solo es apto para el uso y la aplicación previstos de acuerdo con estas instrucciones.

Este manual proporciona la información necesaria para la correcta instalación y/o funcionamiento del producto. Una instalación deficiente y/o un uso y mantenimiento inadecuados conllevan un rendimiento insatisfactorio y posibles fallos.

El fabricante no se hace responsable de ninguna lesión o daño en el producto ocasionados por:

- Un montaje o conexión incorrectos, incluido un exceso de tensión
- Un mantenimiento incorrecto o el uso de piezas de repuesto distintas de las originales proporcionadas por el fabricante
- Modificaciones realizadas en el producto sin el expreso consentimiento del fabricante
- Uso con una finalidad distinta de la descrita en las instrucciones

Dometic se reserva el derecho de cambiar la apariencia y las especificaciones del producto.

6 Descripción técnica

El estor está disponible en distintos modos de funcionamiento:

- Manual, tensado
- Manual, colgante
- Eléctrico, tensado
- Eléctrico, colgante

En los modelos tensados, los cordones requieren una fijación en el lado opuesto del riel de cabezal:

- Soportes para sujetar el modelo de 3 barras
- Opciones de sujeción para la versión de 2 barras



NOTA

En el momento de la recepción, compruebe que el tipo de estor y el volumen de entrega coinciden con los detalles de la confirmación del pedido. El número de la etiqueta del producto que indica el tipo de estor se encuentra en la parte posterior del riel de cabecera. Las parejas de estores con formas simétricas pueden parecer iguales.

7 Instalación



¡ATENCIÓN! Peligro de lesiones

Indicaciones de seguridad importantes. Siga todas las instrucciones, ya que una instalación incorrecta puede provocar lesiones graves.

7.1 Instalación del riel de cabecera



¡ADVERTENCIA!

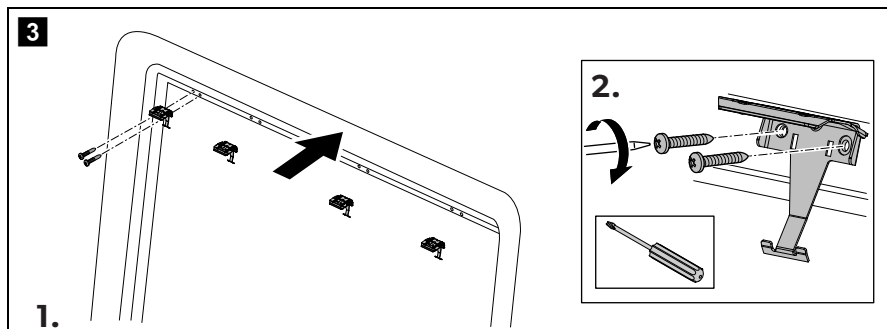
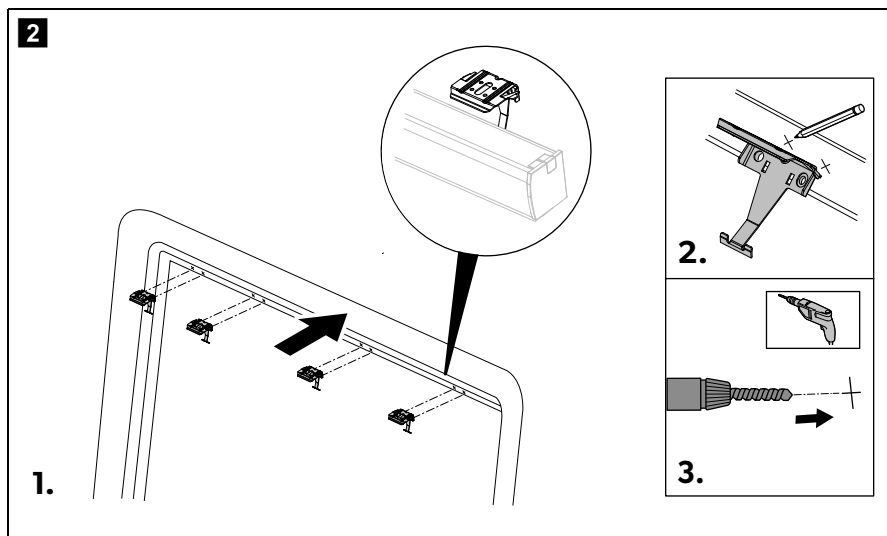
Estores eléctricos: Desconecte la fuente de alimentación antes de empezar y asegúrese de que no se pueda conectar hasta que la instalación haya finalizado.

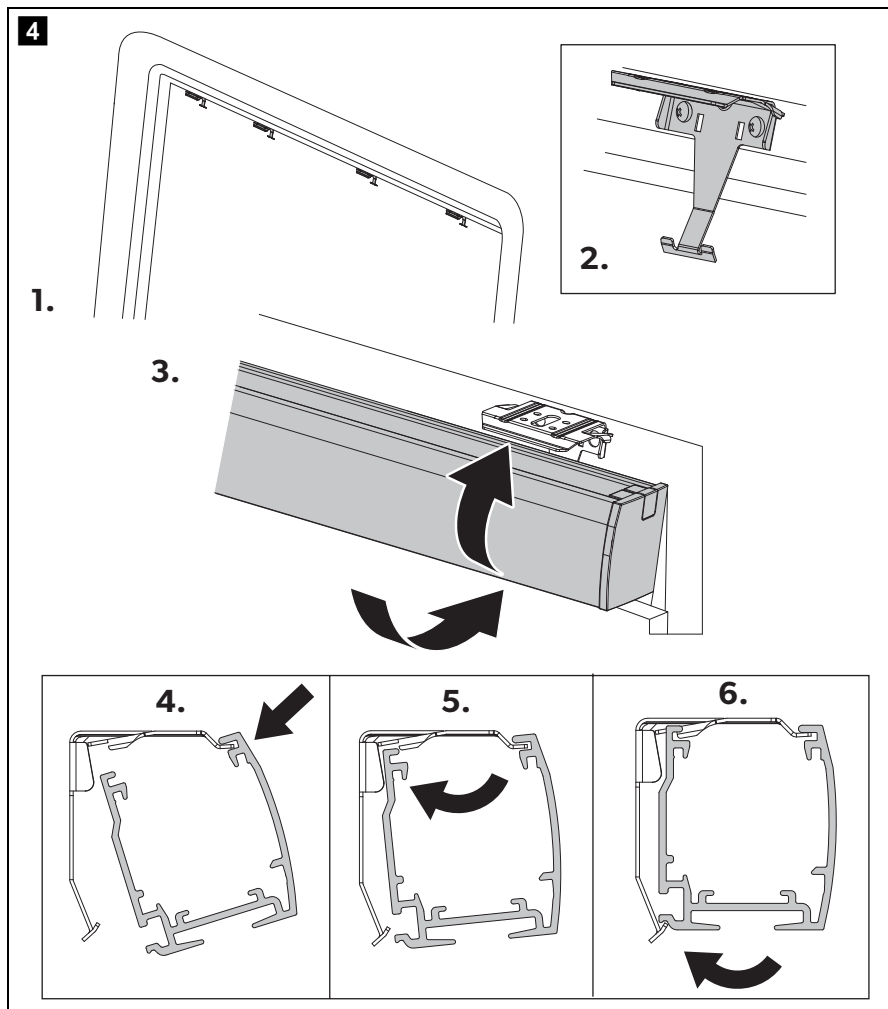
El estor se puede instalar fijándolo directamente en la pared, empotrado en el hueco de la ventana o fijado en el techo. El riel del cabezal se puede montar en la parte superior o inferior de la ventana. Hay rieles de cabezal distintos para estores eléctricos y manuales.

El orden de montaje de los componentes del estor puede variar en función del espacio disponible en el lugar de instalación (por ejemplo, para colocar la barra inferior al principio o al final).

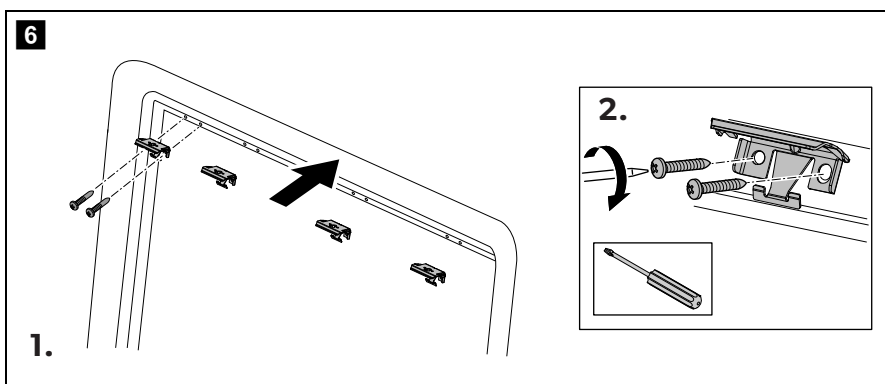
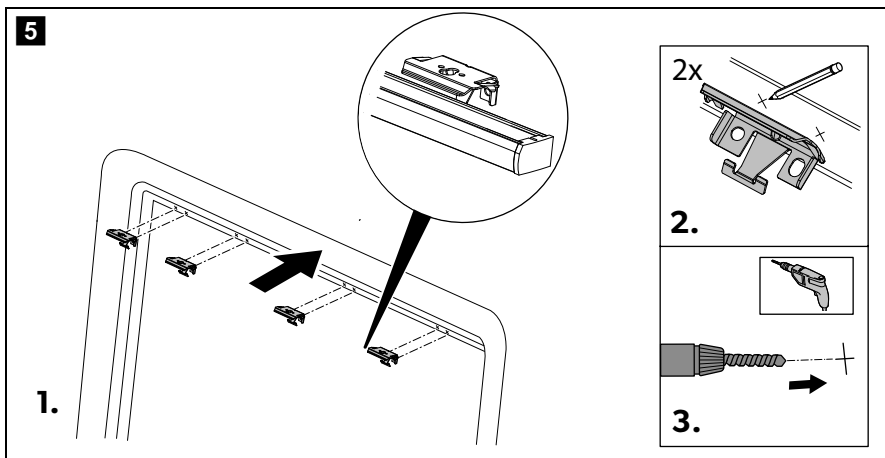
**NOTA**

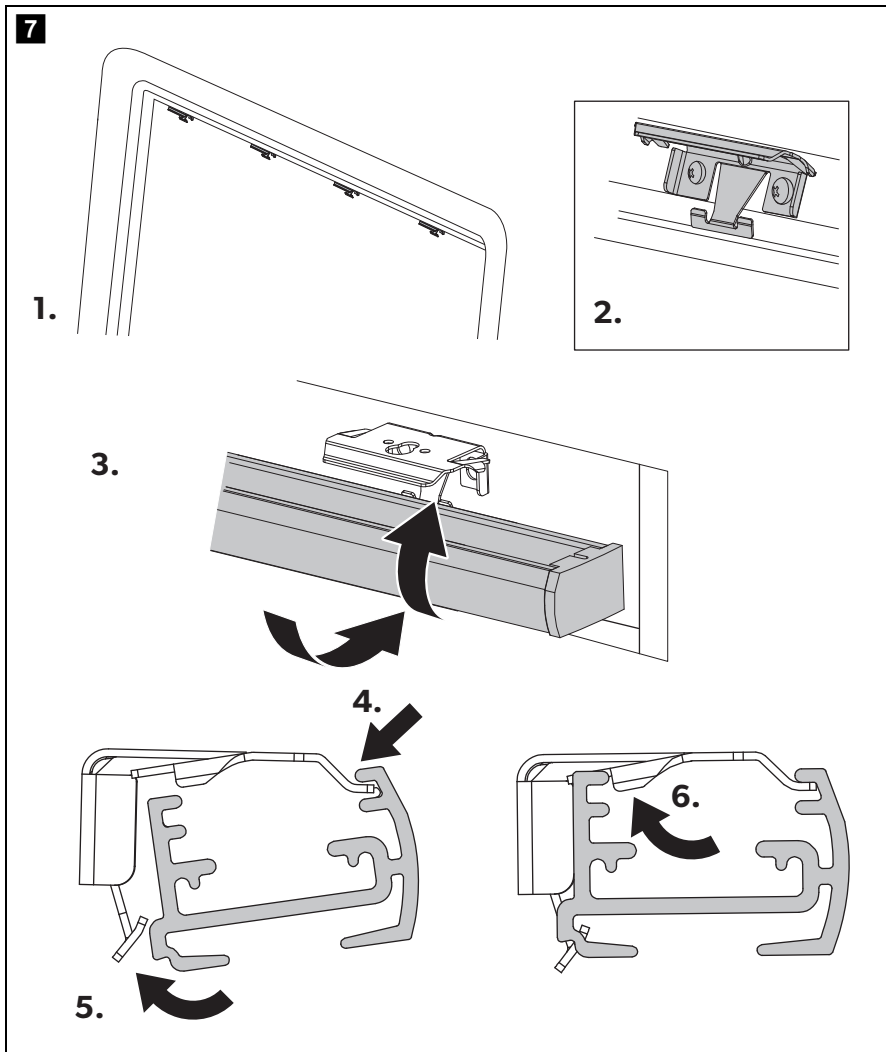
Asegúrese de que detrás de los soportes haya espacio suficiente para acceder a la pinza de liberación.

Riel de cabezal eléctrico fijado en la pared

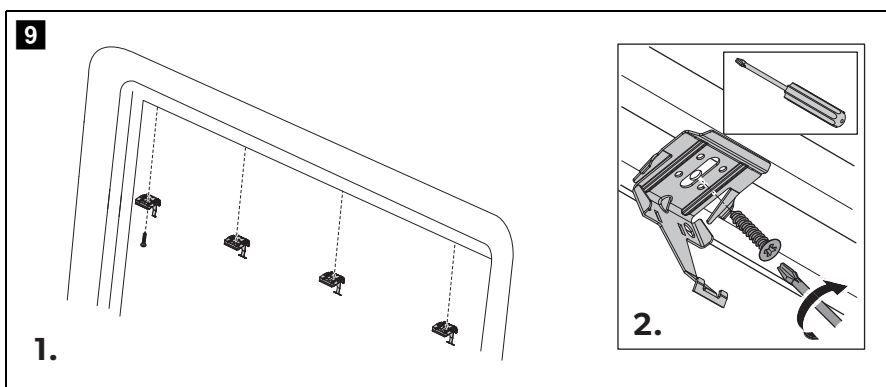
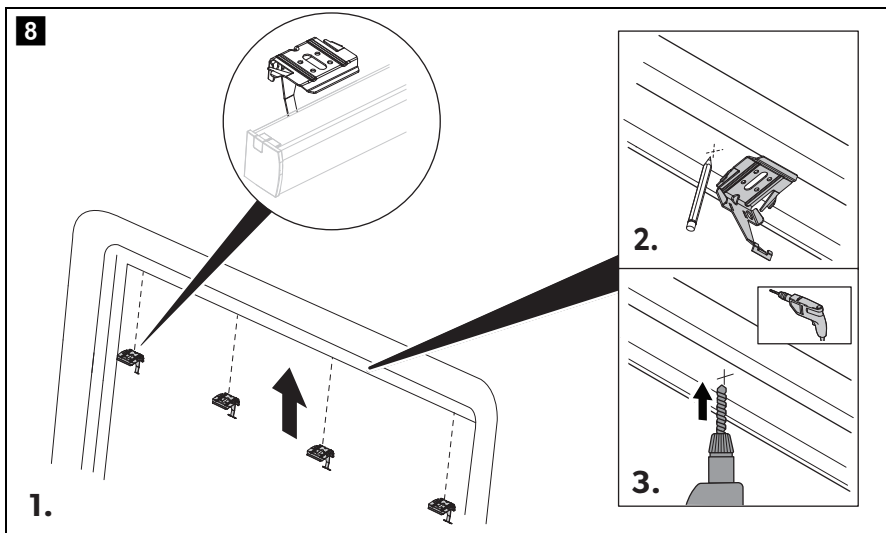


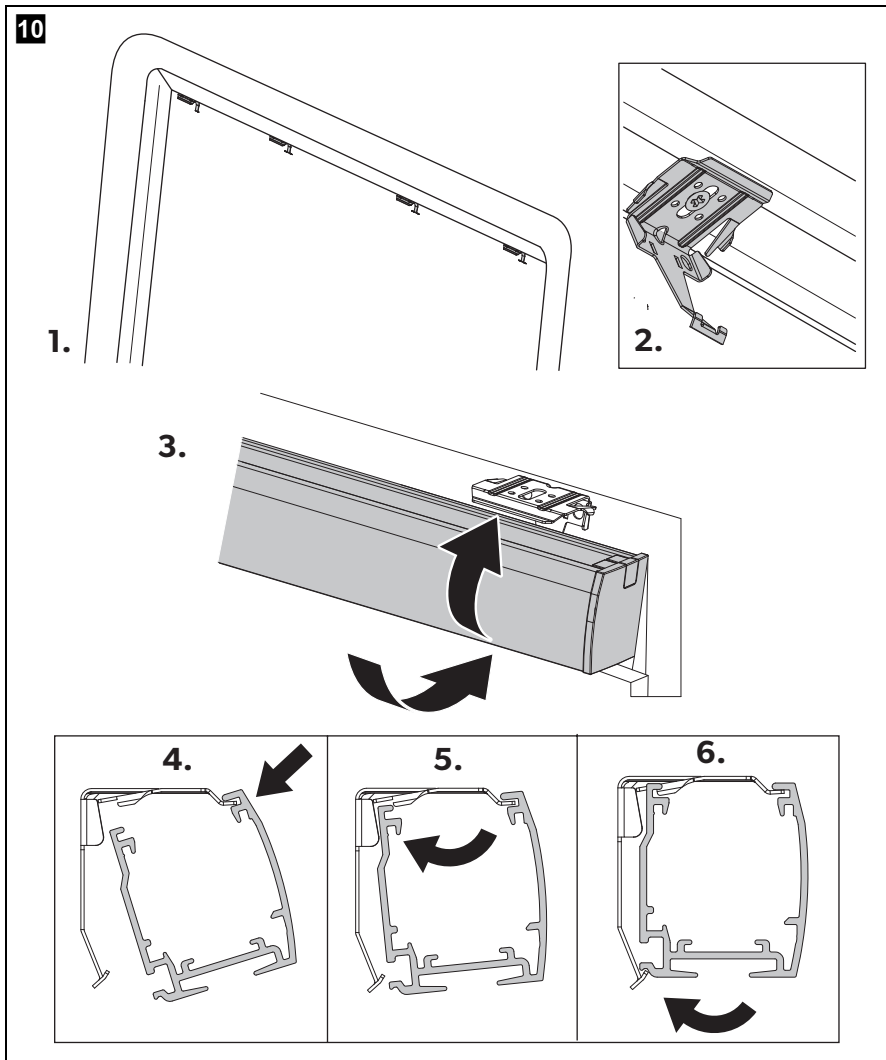
Riel de cabezal manual fijado en la pared



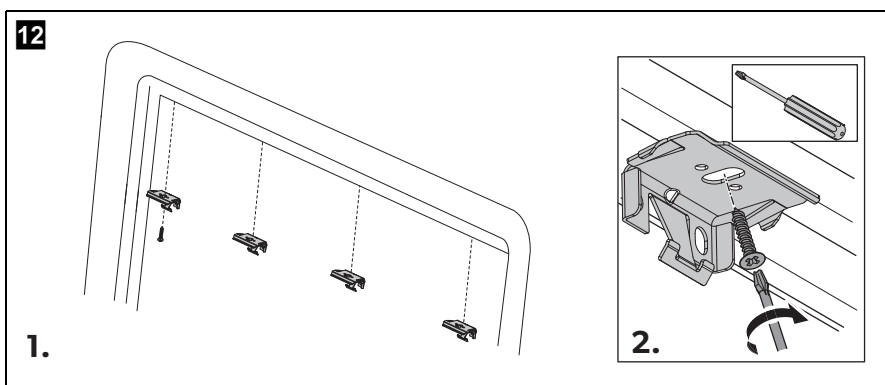
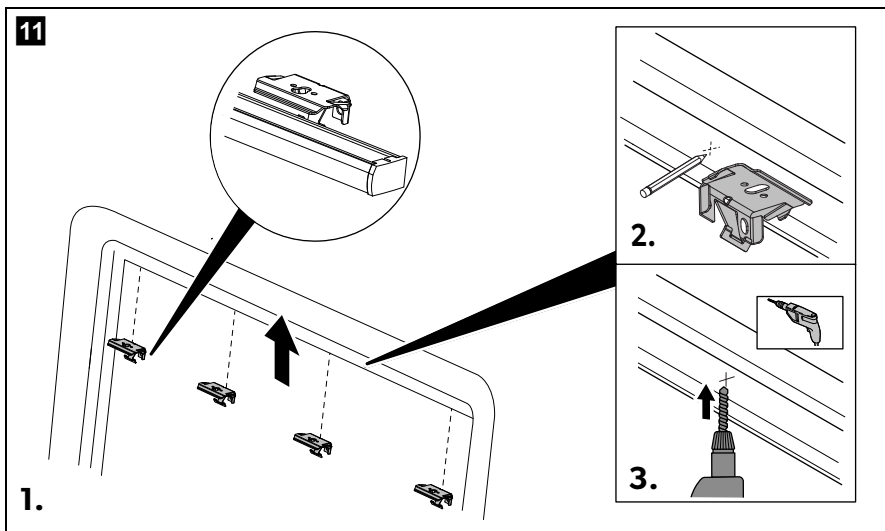


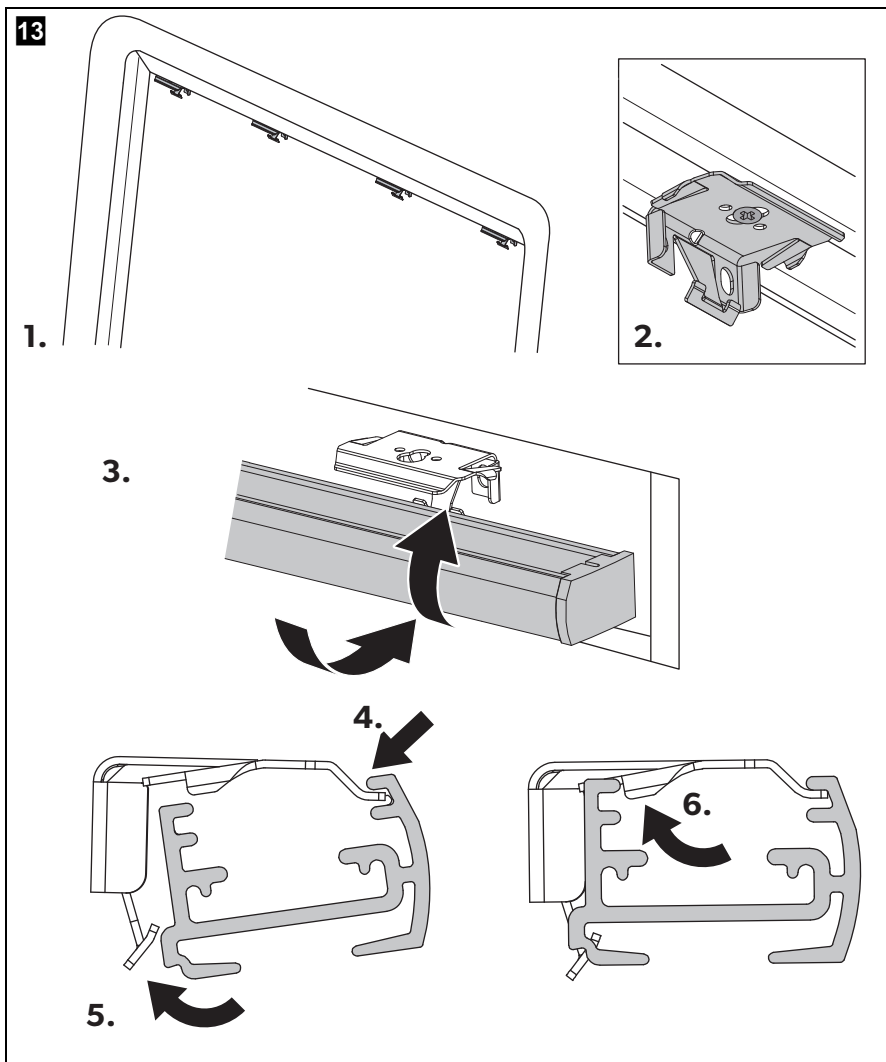
Riel de cabezal eléctrico fijado en el hueco de ventana





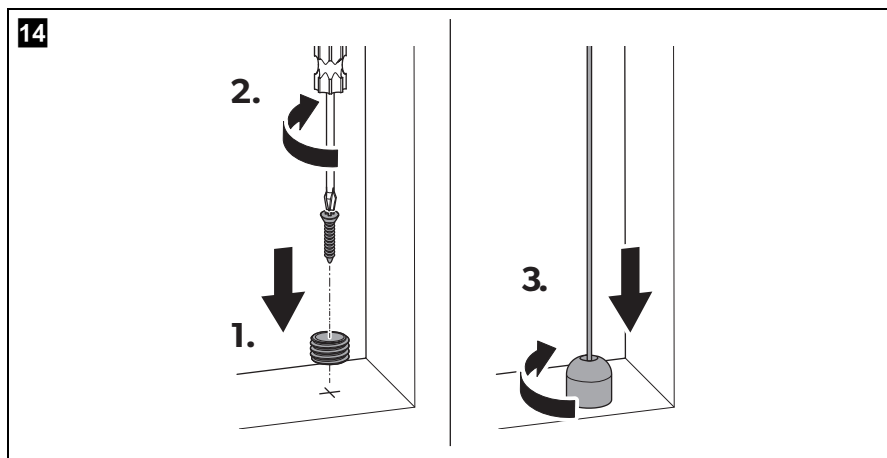
Riel de cabezal manual fijado en el hueco de ventana



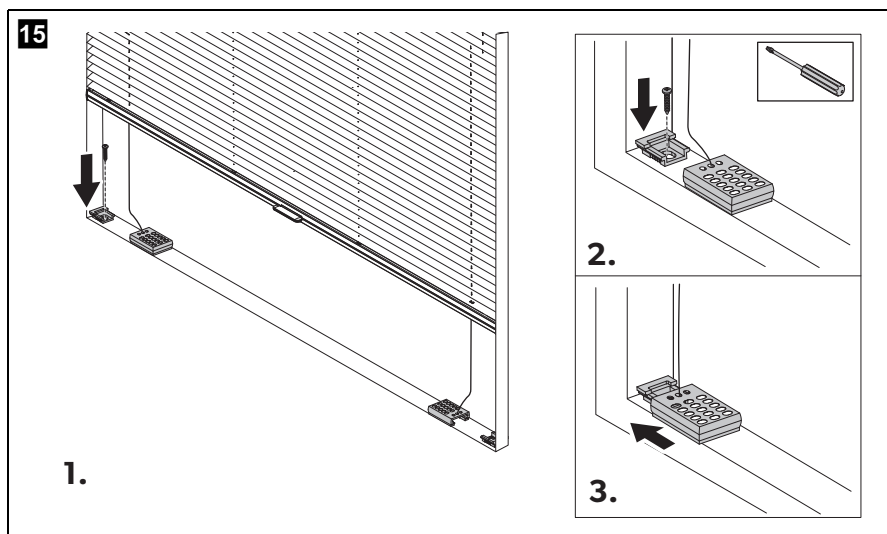


7.2 Fijación de las sujeciones

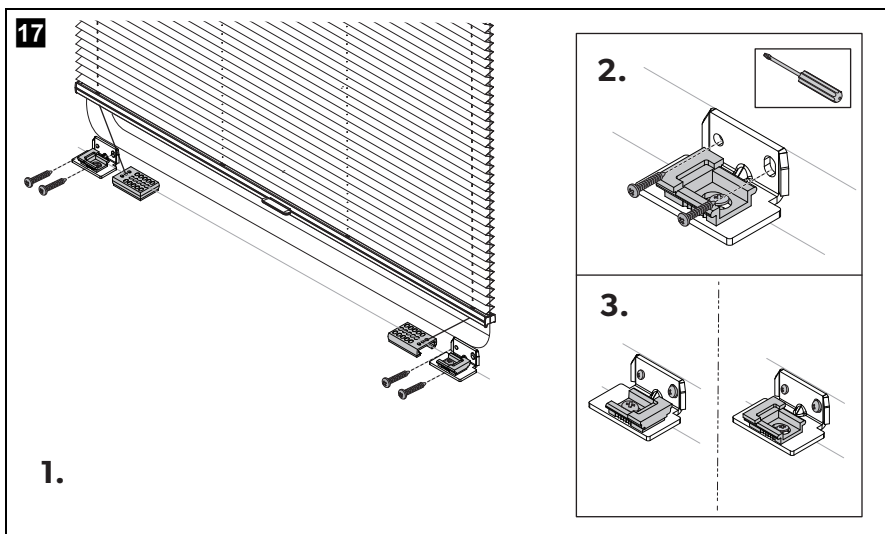
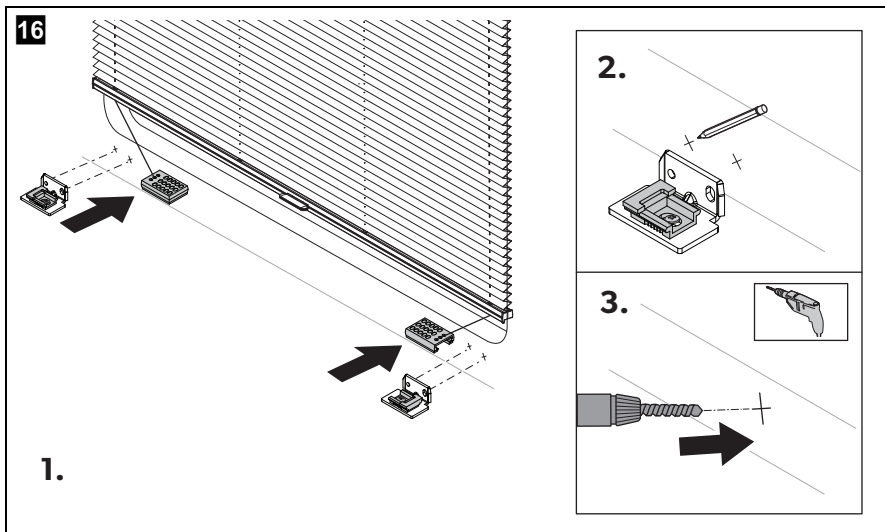
Sujeción de cúpula en hueco de ventana

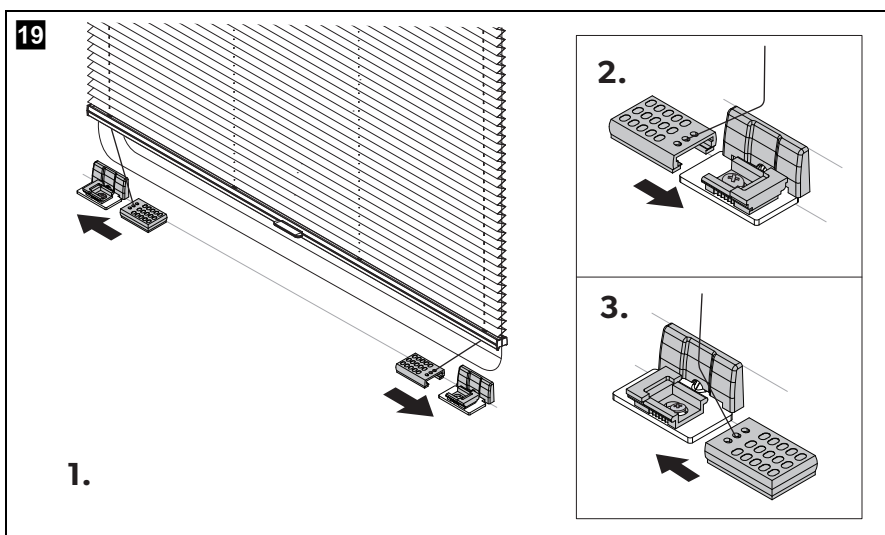
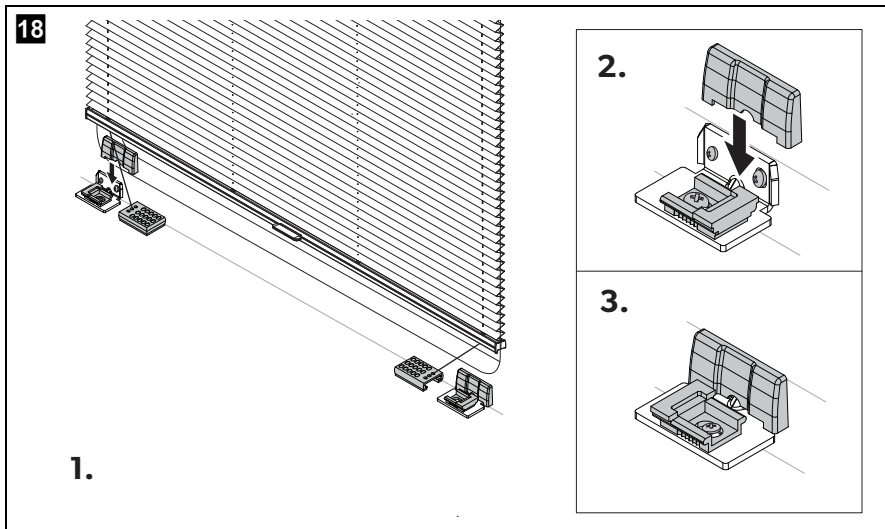


Placa de pie inferior fijada en hueco de ventana



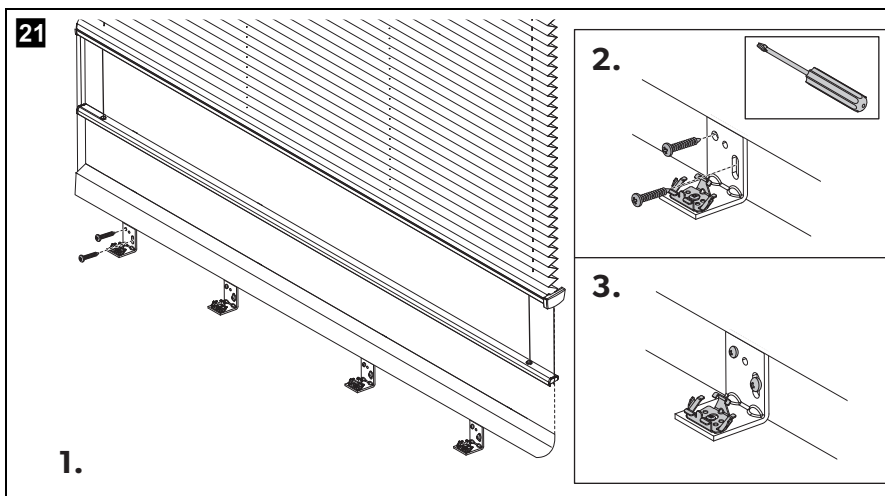
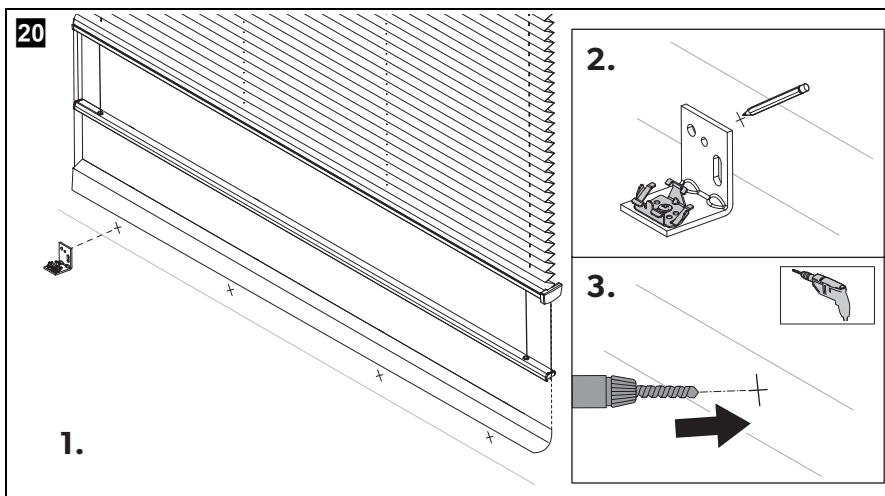
Placa de pie fijada en pared

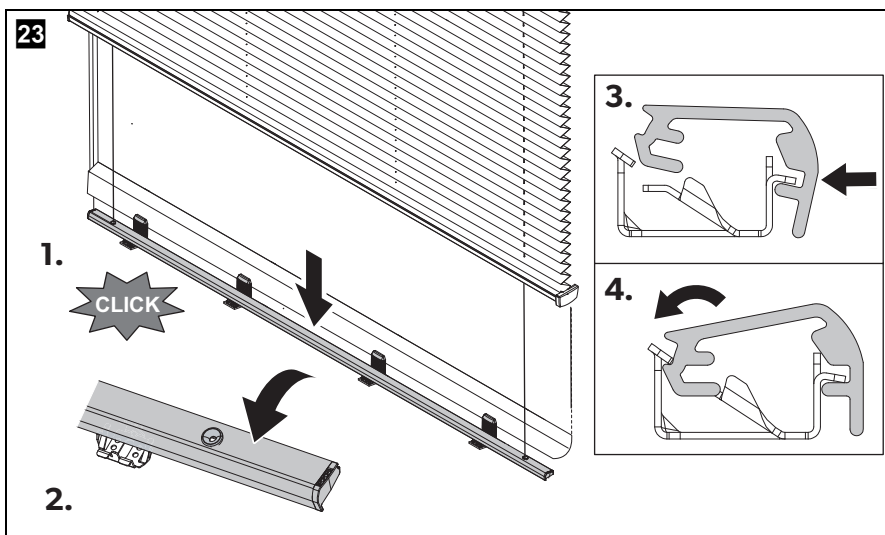
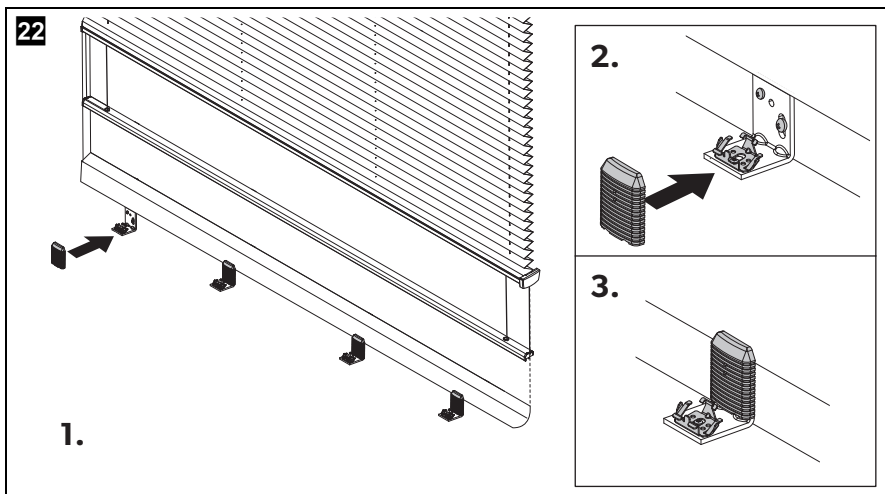




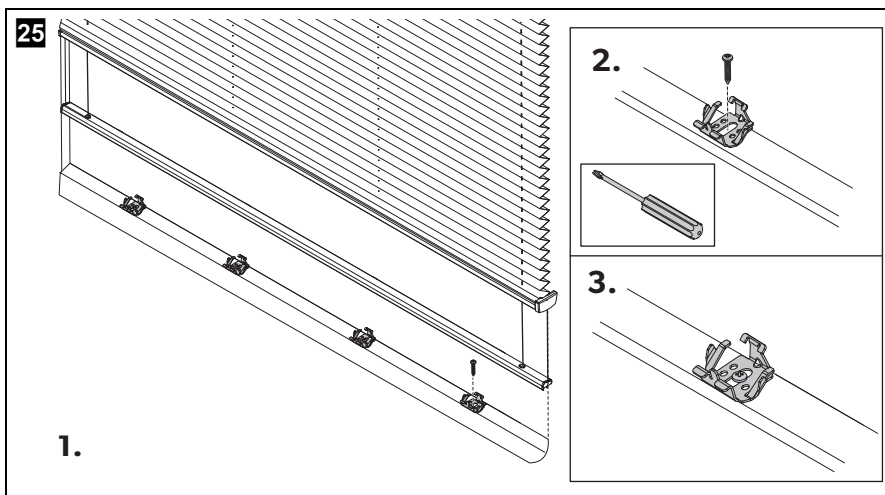
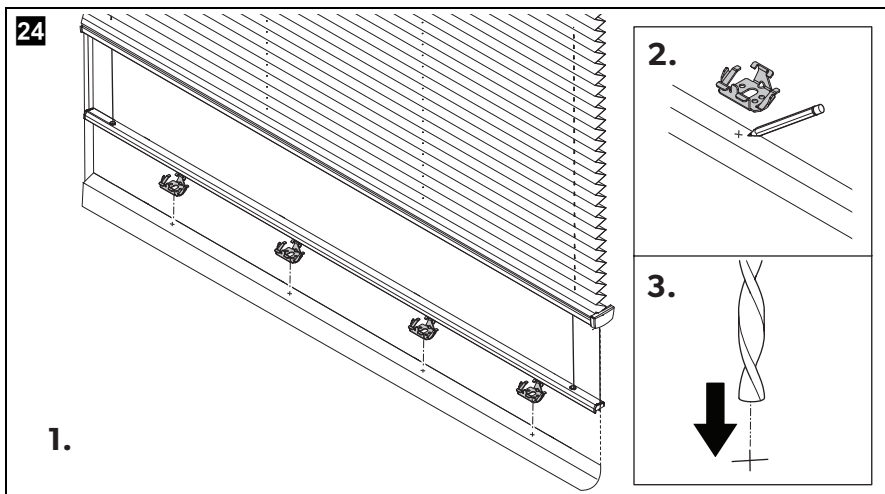
7.3 Fijación de la barra inferior

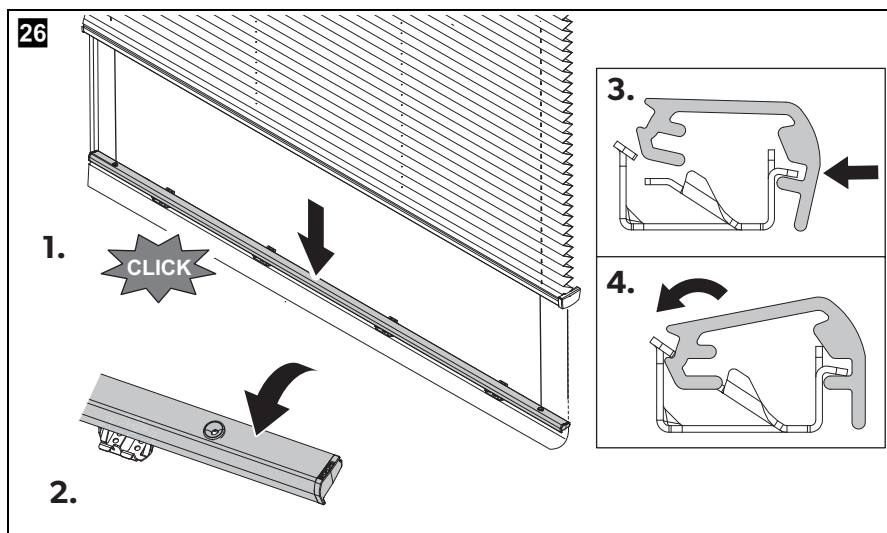
Barra inferior fijada en la pared



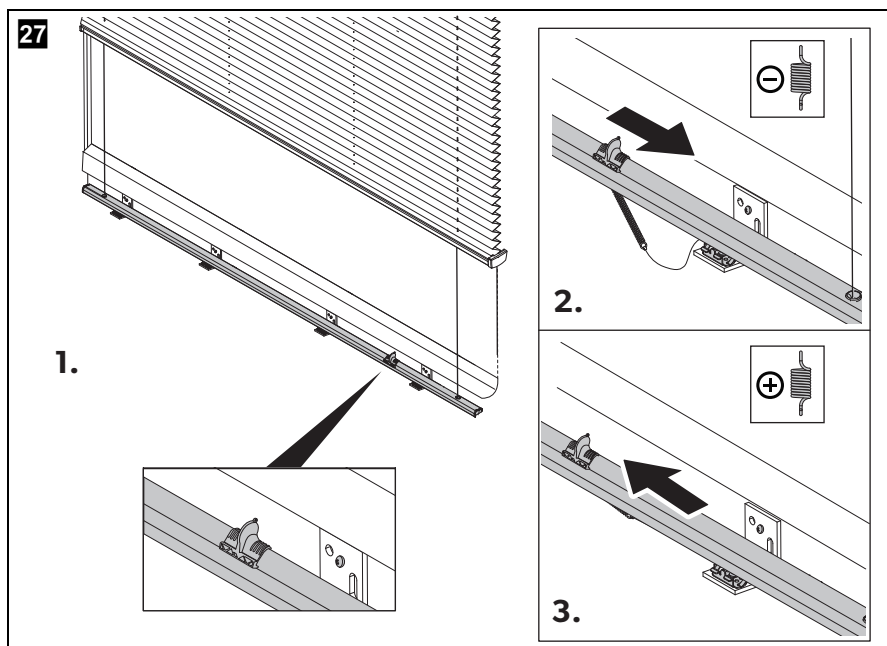


Barra inferior fijada en el hueco de ventana





7.4 Tensado de los cables (solo con el tensor rápido opcional)



7.5 Conexión de los estores (solo para modelos eléctricos)

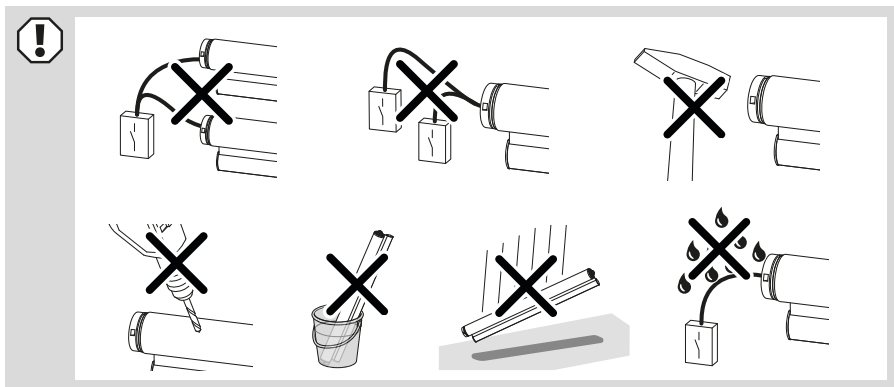


El suministro de energía eléctrica debe ser conectado por un electricista cualificado que tenga capacidad demostrada y conocimientos relacionados con la construcción y el funcionamiento de equipos e instalaciones eléctricas, y que haya recibido formación en materia de seguridad para identificar y evitar los peligros asociados.

Los estores eléctricos disponibles se pueden conectar a una fuente de alimentación de 12/24 V $\overline{=}$. La placa de características situada en el riel del cabezal proporciona información importante sobre las especificaciones del motor de cada estor.

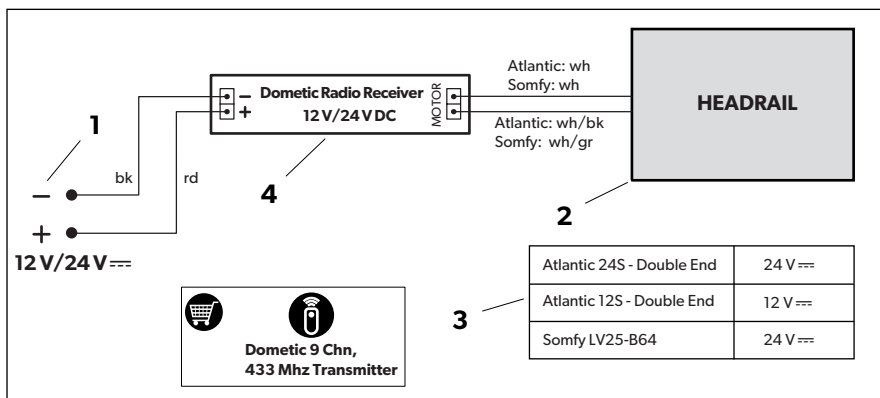
Tenga en cuenta las siguientes indicaciones cuando conecte los estores:

- Asegúrese de que los cables no están dañados durante la instalación. El tendido de los cables por las paredes o mamparos debe estar protegido y aislado mediante manguitos, arandelas y conductos adecuados.
- Asegúrese de que en el punto de instalación haya una línea de alimentación estabilizada de 12 V o 24 V para el accionamiento. La línea de alimentación debe estar correctamente dimensionada y protegida.
- El producto debe estar conectado a la fuente de alimentación correcta, tal y como se especifica en la etiqueta del producto. El motor del producto está diseñado para que se desconecte al superar una corriente establecida, pero la fuente de alimentación debe tener un fusible para proteger la instalación eléctrica hasta el producto.
- Sujete bien todos los cables para evitar contactos con elementos móviles.
- Utilice únicamente las unidades de alimentación y los elementos de control recomendados por el fabricante para evitar daños o fallos durante el funcionamiento causados por componentes eléctricos incompatibles.
- Los dispositivos de control (p. ej., interruptores) deben instalarse en lugares visibles.
- Se necesita una fuente de alimentación regulada acorde con las especificaciones del motor, ya que de lo contrario el motor podría funcionar incorrectamente.
- Cualquier modificación de las posiciones de parada debe realizarse utilizando el método especificado para el tipo de motor con el fin de evitar daños en el mismo.

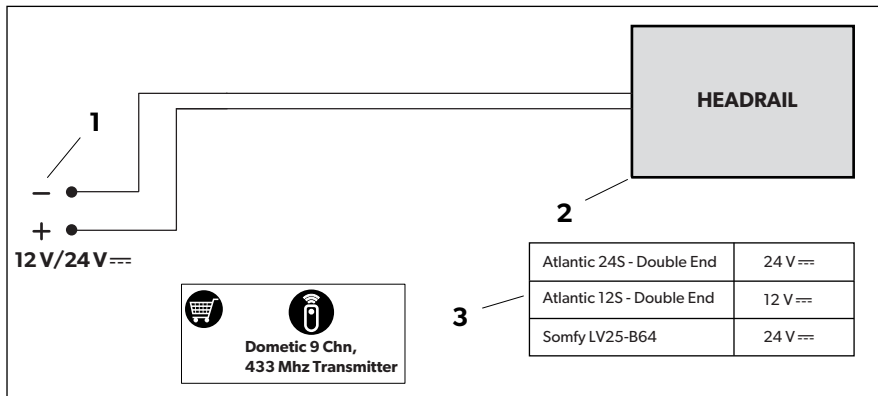


► Conecte el motor como se muestra en los esquemas de cableado.

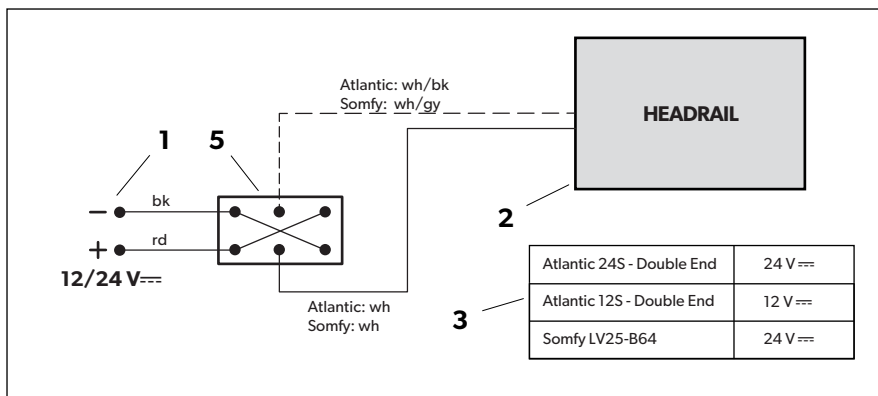
Receptor externo para estor por radiocontrol Dometic



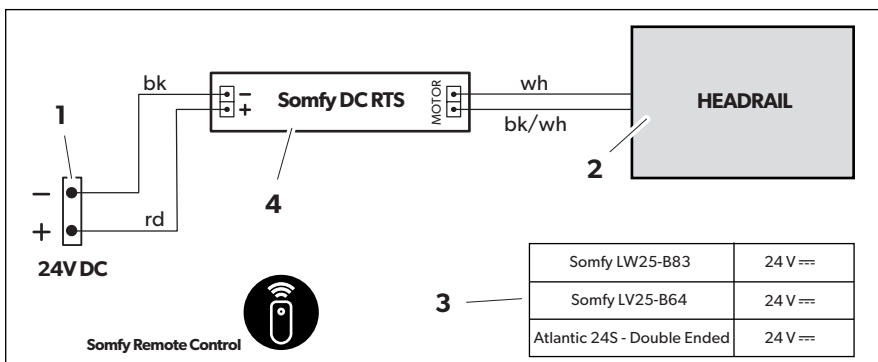
Receptor interno para estor por radiocontrol Dometic



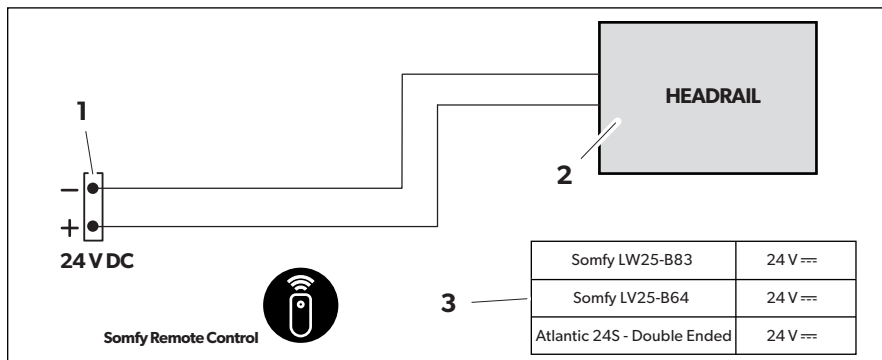
Estor de encendido manual



Receptor externo para estor con control RTS de Somfy



Receptor interno para estor con control RTS de Somfy



Leyenda de los esquemas de cableado

Pos.	Descripción
1	Alimentación de tensión
2	Riel de cabecera
3	Opciones de motor para riel de cabecera
4	Receptor externo
5	Interruptor DPDT suministrado por el cliente (bipolar, de doble tiro), desconexión central, enclavamiento o momentáneo, 12/24 V---, 3 A
bk	negro
rd	naranja
gy	gris
wh	blanco



NOTA

- Los accesorios se pueden solicitar mediante el formulario de pedido separado.
- Tenga en cuenta los documentos aplicables para los controles y elementos operativos.

8 Funcionamiento



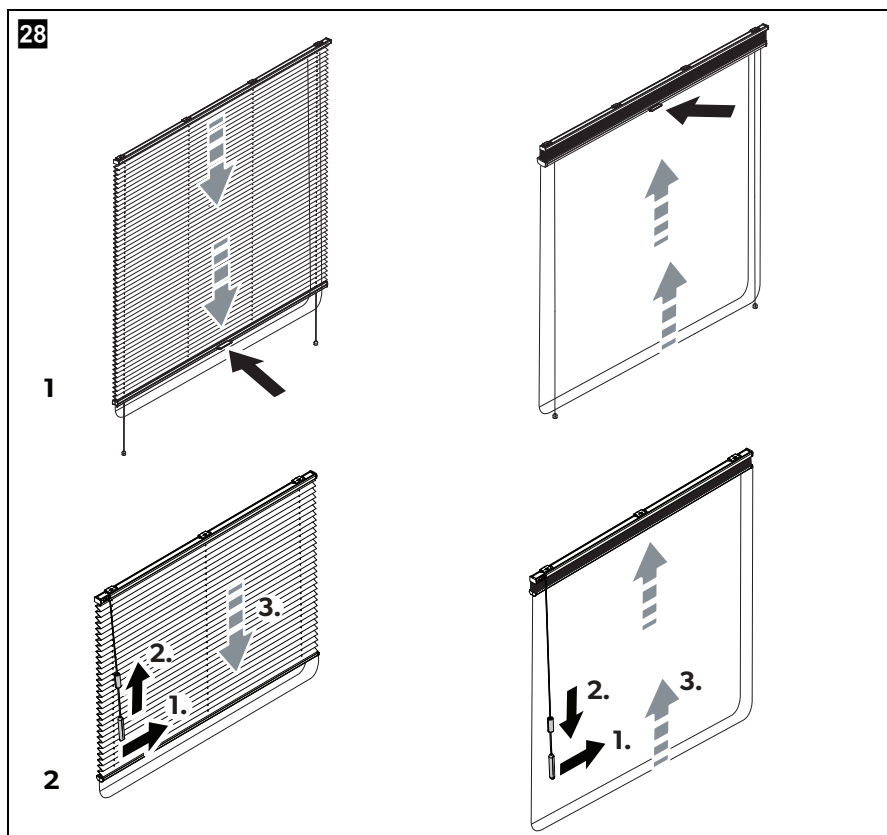
¡ATENCIÓN! Peligro de lesiones

Solo para yates o embarcaciones: Si el estor está instalado delante de una ventana abierta, póngalo en posición recogida si la embarcación navega a más de 10 nudos o si el oleaje es más que moderado, ya que esto podrá ocasionar daños al estor. Las piezas que se sueltan pueden lesionar a personas que se encuentren en el entorno.

8.1 Funcionamiento de los estores manuales

La estor se puede situar en cualquier posición utilizando el tirador.

► Proceda como se muestra para accionar el estor manual.

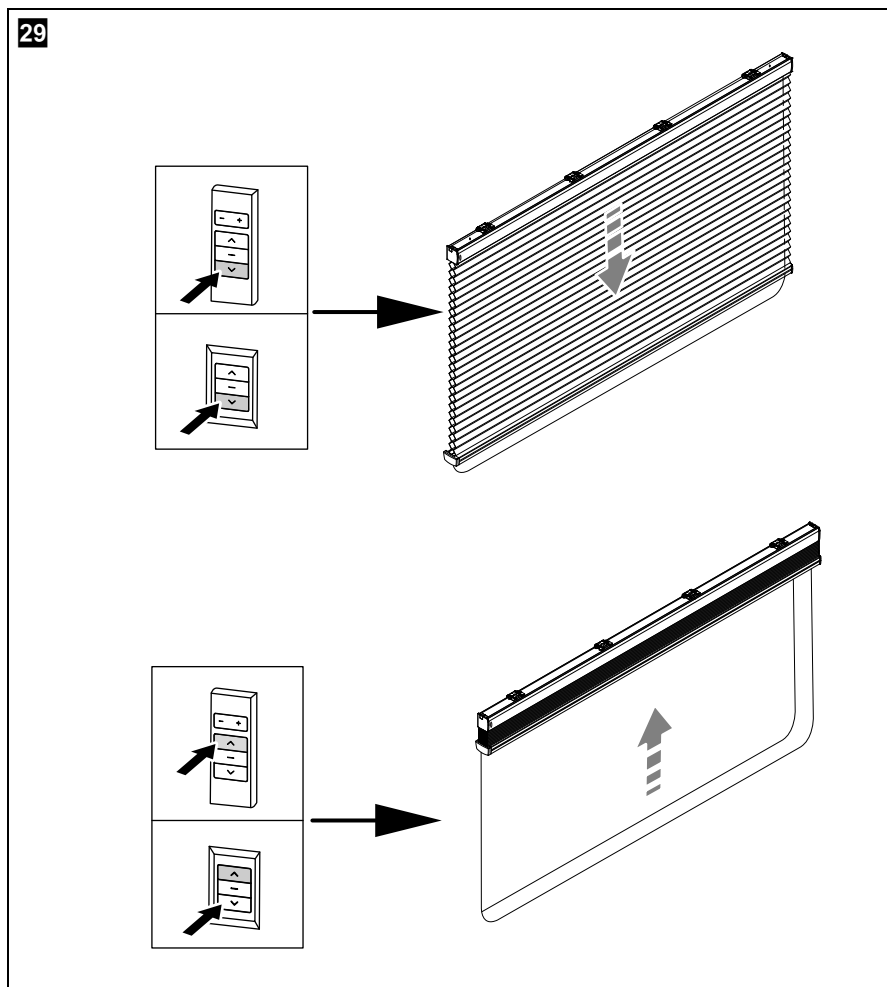


8.2 Funcionamiento de los estores eléctricos

Tenga en cuenta las siguientes notas:

- Cada estor puede detenerse en cualquier posición.
- Al manejar el estor con un sistema de automatización, el funcionamiento depende de la programación de los controles.
- El estor está configurado de fábrica para detenerse automáticamente:
 - Si el estor se ha desplegado completamente
 - Si el estor se ha recogido completamente

► Proceda como se muestra para accionar el estor eléctrico.



**NOTA**

Por motivos de seguridad, los motores cuentan con un sistema integrado de interrupción térmica que se restablece automáticamente. El uso prolongado o la sobrecarga del estor podrían activar esta interrupción. Si esto sucede, deje pasar media hora para que el motor se enfríe.

9 Limpieza y mantenimiento

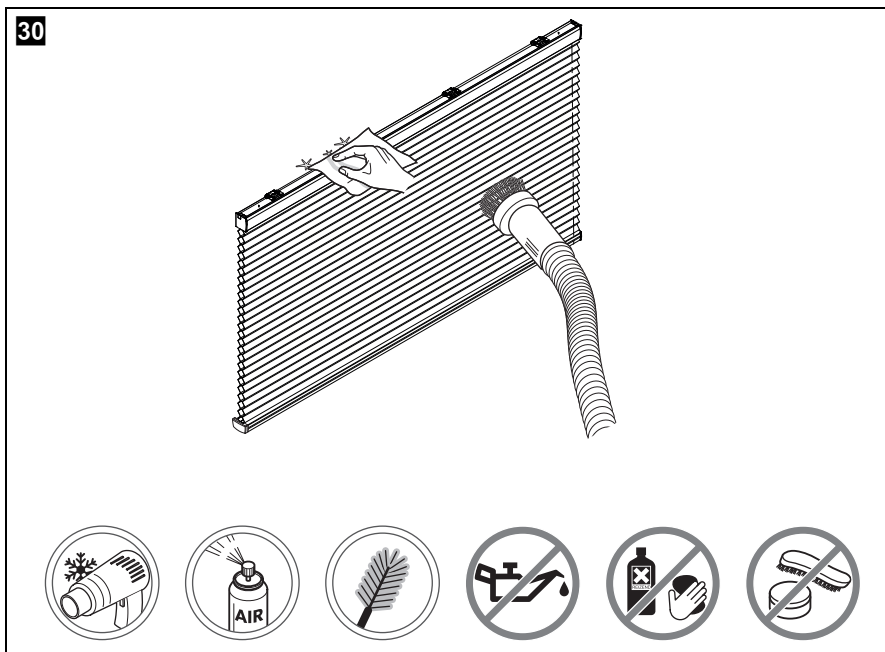
**¡ADVERTENCIA! Peligro de lesiones**

Estores eléctricos: Si un estor se puede poner en funcionamiento sin tenerlo a la vista, tome las medidas organizativas adecuadas para evitar que se ponga en funcionamiento cuando se realicen tareas de mantenimiento en las proximidades del estor, como la limpieza de ventanas o paredes.

**¡AVISO! Peligro de daños**

- No engrase ni lubrique el estor. Los lubricantes pueden dañar la tela.
- Si frota la tela puede dañarla.
- Al eliminar una mancha, es posible que la zona en cuestión quede más limpia que los alrededores.
- No ponga en remojo los estores.
- Si utiliza un producto de limpieza, el fabricante recomienda probarlo primero en una zona oculta del estor.

► Proceda de la siguiente manera para limpiar el estor.



10 Solución de problemas

Fallo	Solución
Tensión demasiado baja	► Véase capítulo “Instalación” en la página 112.
El estor tensado no funciona suavemente	► Compruebe las posiciones de retención y las dimensiones de la cavidad.
Estores eléctricos:	
El estor se detiene en la posición incorrecta	► Consulte el manual del dispositivo de control.

Fallo	Solución
Estores diferentes funcionando a velocidades diferentes	<ul style="list-style-type: none"> ▶ Consulte el manual del dispositivo de control.
El estor eléctrico no funciona	<ul style="list-style-type: none"> ▶ El uso prolongado o reiterado puede activar el sistema integrado de interrupción térmica. Deje que el motor se enfríe durante 20 minutos y vuelva a intentarlo. ▶ Compruebe que el suministro de energía llega al estor. ▶ Compruebe si el cableado para llevar el voltaje al motor es correcto. ▶ Si el motor sigue sin funcionar después de haber comprobado el suministro eléctrico, póngase en contacto con Dometic.

11 Garantía

Consulte las secciones siguientes para obtener información sobre la garantía y el soporte de la garantía.

11.1 Australia y Nueva Zelanda

Si el producto no funciona como debería, póngase en contacto con su punto de venta o con la sucursal del fabricante en su país ([visite dometic.com/dealer](http://visite.dometic.com/dealer)). La garantía aplicable a su producto es de 1 año(s).

Para tramitar la reparación y la garantía, incluya los siguientes documentos cuando envíe el aparato:

- Una copia de la factura con fecha de compra
- El motivo de la reclamación o una descripción de la avería

Solo en Australia

Nuestros productos tienen garantías que no pueden ser excluidas en virtud de la Ley del Consumidor de Australia. Tiene derecho a una sustitución o reembolso por una avería importante y a una indemnización por cualquier otra pérdida o daño razonablemente previsible. También tiene derecho a que se reparen o sustituyan los productos si éstos no son de calidad aceptable y el fallo no representa una avería importante.

Solo en Nueva Zelanda

Esta política de garantía está sujeta a las condiciones y garantías obligatorias según lo establecido por la Ley de Garantías del Consumidor de 1993 (NZ).

Asistencia local

Encuentre el servicio técnico de su zona en: dometic.com/dealer

11.2 Estados Unidos y Canadá

GARANTÍA LIMITADA DISPONIBLE EN
DOMETIC.COM/WARRANTY.

SI TIENE PREGUNTAS O DESEA OBTENER UNA COPIA GRATUITA DE LA GARANTÍA LIMITADA, CONTACTE CON:

DOMETIC CORPORATION
CUSTOMER SUPPORT CENTER
2320 INDUSTRIAL PARKWAY
ELKHART, INDIANA 46516
1-800-544-4881
customersupportcenter@dometic.com

11.3 Otras regiones

Se aplica el período de garantía estipulado por la ley. Si el producto es defectuoso, póngase en contacto con la sucursal del fabricante en su región (dometic.com/dealer) o con su distribuidor.

Para tramitar la reparación y la garantía, incluya los siguientes documentos cuando envíe el aparato:

- Una copia de la factura con fecha de compra
- El motivo de la reclamación o una descripción de la avería

Tenga en cuenta que una reparación por medios propios o no profesionales puede tener consecuencias de seguridad y suponer la anulación de la garantía.

12 Eliminación

12.1 Australia y Nueva Zelanda



- Si es posible, deseche el material de embalaje en el contenedor de reciclaje adecuado.
- Consultar con un punto limpio o con un distribuidor especializado para obtener más información sobre cómo eliminar el producto de acuerdo con las normativas aplicables de eliminación.

12.2 Todas las demás regiones



- Si es posible, deseche el material de embalaje en el contenedor de reciclaje adecuado.
- Consultar con un punto limpio o con un distribuidor especializado para obtener más información sobre cómo eliminar el producto de acuerdo con las normativas aplicables de eliminación.
- El producto podrá desecharse gratuitamente.

Si prega di leggere attentamente e di seguire tutte le istruzioni, le linee guida e le avvertenze incluse in questo manuale del prodotto, al fine di garantire che il prodotto venga sempre installato, utilizzato e mantenuto nel modo corretto. Queste istruzioni DEVONO essere conservate insieme al prodotto.

Utilizzando il prodotto, l'utente conferma di aver letto attentamente tutte le istruzioni, le linee guida e le avvertenze e di aver compreso e accettato di rispettare i termini e le condizioni qui espressamente indicati. L'utente accetta di utilizzare questo prodotto solo per lo scopo e l'applicazione previsti e in conformità con le istruzioni, le linee guida e le avvertenze indicate nel presente manuale del prodotto, nonché in conformità con tutte le leggi e i regolamenti applicabili. La mancata lettura e osservanza delle istruzioni e delle avvertenze qui espressamente indicate può causare lesioni personali e a terzi, danni al prodotto o ad altre proprietà nelle vicinanze. Il presente manuale del prodotto, comprese le istruzioni, le linee guida e le avvertenze e la relativa documentazione possono essere soggetti a modifiche e aggiornamenti. Per informazioni aggiornate sul prodotto, si prega di visitare il sito documents.dometic.com.

Indice

1	Spiegazione dei simboli	139
2	Istruzioni per la sicurezza	140
3	Dotazione	143
4	Accessori	145
5	Destinazione d'uso	145
6	Descrizione delle caratteristiche tecniche	146
7	Montaggio	146
8	Funzionamento	166
9	Pulizia e cura	168
10	Risoluzione dei problemi	169
11	Garanzia	170
12	Smaltimento	172

1 Spiegazione dei simboli



AVVERTENZA!

Istruzione per la sicurezza: indica una situazione di pericolo che, se non evitata, può provocare lesioni gravi o mortali.



ATTENZIONE!

Istruzione per la sicurezza: indica una situazione di pericolo che, se non evitata, può provocare lesioni di entità lieve o moderata.

**AVVISO!**

Indica una situazione di pericolo che, se non evitata, può provocare danni alle cose.

**NOTA**

Informazioni supplementari relative all'impiego del prodotto.

2 Istruzioni per la sicurezza



AVVERTENZA! La mancata osservanza di queste avvertenze potrebbe causare la morte o lesioni gravi.

Pericolo di scosse elettriche (solo per oscuranti elettrici)

- Non mettere in funzione l'apparecchio se presenta danni visibili.
- Se il cavo di alimentazione di questo apparecchio è danneggiato, al fine di evitare pericoli per la sicurezza esso deve essere sostituito dal produttore, dal servizio assistenza clienti o da personale ugualmente qualificato o competente.
- Le riparazioni effettuate in modo scorretto possono causare gravi pericoli.
- Scollegare l'oscurante dall'alimentazione prima di eseguire qualsiasi intervento di manutenzione.

Pericolo per la salute

- Importanti istruzioni per la sicurezza. Per la sicurezza delle persone è importante seguire queste istruzioni. Salvare queste istruzioni.
- Questo apparecchio può essere utilizzato da bambini di età superiore a 8 anni, da persone con ridotte capacità fisiche, sensoriali o mentali o da persone inesperte o prive di conoscenze specifiche solo se sorvegliate o preventivamente istruite sull'impiego dell'apparecchio in sicurezza e se informate dei pericoli legati al prodotto stesso.
- I bambini non devono giocare con l'apparecchio.
- La pulizia e la manutenzione non devono essere eseguite da bambini senza la presenza di un adulto.
- Chiudere gli oscuranti prima di passare alle manovre, in modo da non limitare la visuale dell'utente.

- **Solo per oscuranti elettrici:**

- Non montare gli oscuranti elettrici sopra le botole di evacuazione.
- La modifica della struttura o della configurazione dell'apparecchiatura senza l'esplicito consenso del fabbricante può creare una situazione pericolosa.
- Non consentire ai bambini di giocare con il dispositivo di controllo della tenda interna. Tenere i telecomandi lontano dalla portata dei bambini.
- Esaminare frequentemente l'installazione per rilevare eventuali segni di usura o danni ai cavi. Non utilizzare se è necessario un intervento di riparazione.
- Non utilizzare durante l'esecuzione di interventi di manutenzione nelle vicinanze, ad esempio lavaggio delle finestre.

Pericolo di strangolamento



- I bambini piccoli possono strangolarsi con lacci, catene, nastri e corde interne che azionano il prodotto.
- Per evitare lo strangolamento e l'aggrovigliamento, tenere le corde lontano dalla portata dei bambini piccoli. Le corde possono avvolgersi intorno al collo del bambino.
- Allontanare letti, culle e mobili dalle corde.
- Non legare insieme le corde. Assicurarsi che le corde non si attorciglino e non creino un anello.

Pericolo di soffocamento

- Questo dispositivo contiene pezzi piccoli. Tenere lontano dalla portata dei bambini di età inferiore ai 3 anni.
- La confezione comprende sacchetti di plastica. Tenerli lontano da bambini di età inferiore a 3 anni.



ATTENZIONE! La mancata osservanza di queste precauzioni potrebbe causare lesioni lievi o moderate.

Rischio di lesioni

- Il dispositivo può essere installato, rimosso o riparato soltanto da persone qualificate o competenti utilizzando materiale di fissaggio idoneo.
- Adoperare la necessaria cautela durante l'installazione dell'oscurante e indossare i dispositivi di protezione individuale.

- **Solo per barche e yacht:** Se l'oscurante si trova davanti a una finestra aperta e si naviga a una velocità superiore a 10 nodi oppure con mare agitato, l'oscurante deve essere chiuso per non evitare danni. Le parti che si staccano possono ferire le persone che si trovano in prossimità.

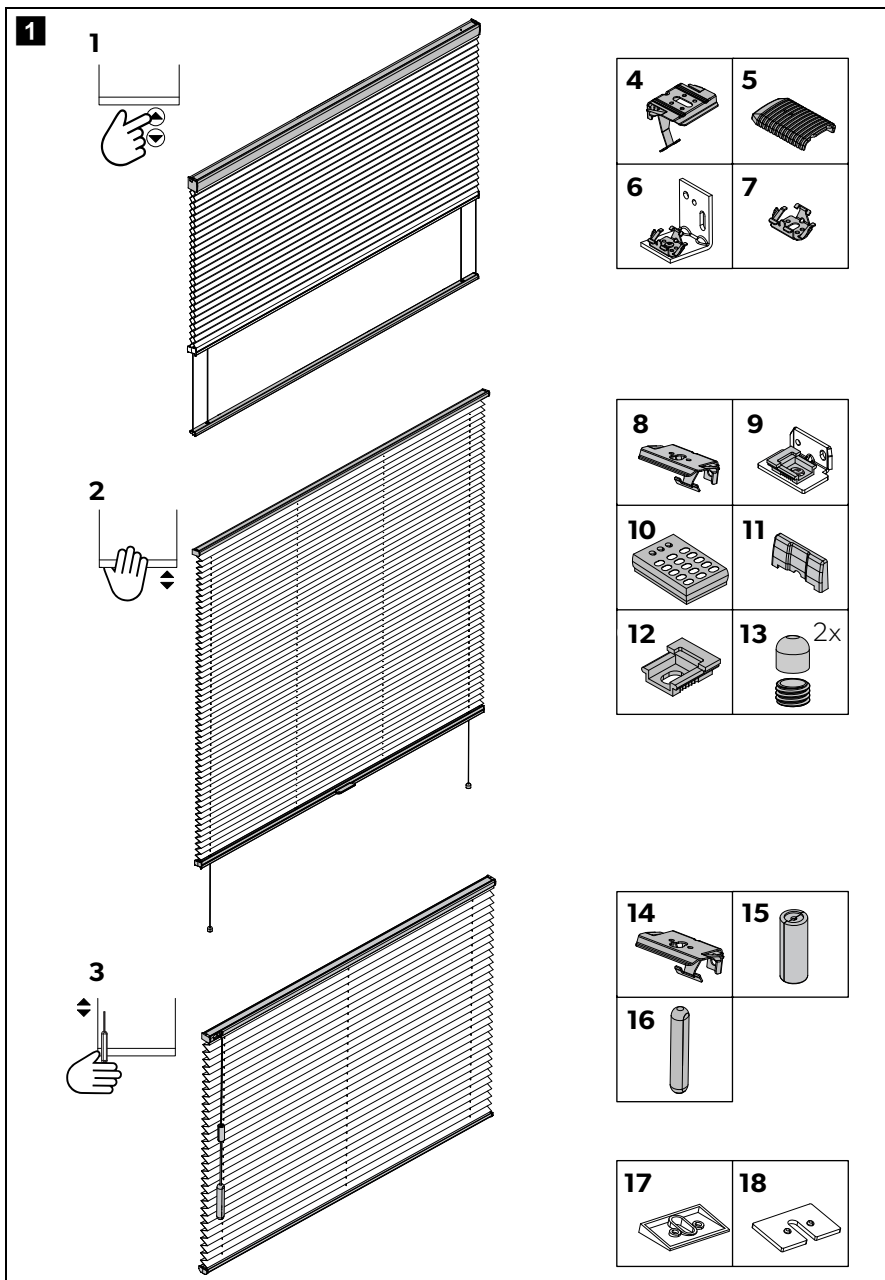


AVVISO!

Rischio di danni

- Gli oscuranti devono essere chiusi completamente quando l'imbarcazione o il veicolo è in movimento.
- Per fissare l'oscurante utilizzare viti e tasselli adatti al tipo di parete.
- Prestare attenzione a non forare completamente la parete.
- Per evitare di macchiare il tessuto, assicurarsi di avere le mani pulite, oppure indossare guanti idonei.
- **Solo per oscuranti elettrici:**
 - Confrontare i dati della tensione riportati sull'etichetta dei cavi con quelli delle prese e degli attacchi disponibili.
 - Utilizzare solo cavi con una sezione corrispondente.

3 Dotazione



Posizione nella fig. 1	Quantità	Descrizione
1 - 3	1	Unità oscurante Design a seconda del modello, ad es. elettrico o manuale, sospeso o teso, versione a 2 barre o versione a 3 barre
4	a seconda delle dimensioni della tenda	Staffa del binario di testa per tenda elettrica
5	a seconda delle dimensioni della tenda	Copertura staffa a L (opzionale per il fissaggio frontale)
6	a seconda delle dimensioni della tenda	Set di staffe per la versione a 3 barre (opzionale per il fissaggio frontale)
7	a seconda delle dimensioni della tenda	Set di staffe per la versione a 3 barre (opzionale per il fissaggio in una rientranza)
8, 14	a seconda delle dimensioni della tenda	Staffa del binario di testa per tende manuali
9	a seconda delle dimensioni della tenda	Base della piastra
10	2	Piastra (opzionale per fissaggio frontale e in una rientranza, solo per la versione a 2 barre)
11	a seconda delle dimensioni della tenda	Coperchio staffa a L
12	a seconda delle dimensioni e dell'angolo della tenda	Base piastra (opzionale per il fissaggio in una rientranza, solo per la versione a 2 barre)
13	1	Fermo cupola (opzionale per la versione a 2 barre, collegato alla tenda fornita)
15	1	Bacchetta/ghianda
16	1	Supporto per maniglia di rilascio
17 - 18	opzionale	Distanziali per tende a livello (opzionali)

4 Accessori

Gli accessori sono disponibili utilizzando il modulo d'ordine separato. I centri del servizio assistenza clienti autorizzati sono indicati al sito dometic.com.

5 Destinazione d'uso

La tenda è adatta per:

- installazione su yacht e barche
- essere installato su camper e caravan

Il design e le misure delle tende sono realizzati su misura. Il tessuto delle tende è tagliato secondo le specifiche del cliente.

Le tende sono progettate esclusivamente per l'uso all'interno; non devono essere installate in bagni, locali doccia o altri luoghi con un elevato livello di umidità.

Questo prodotto è adatto solo per l'uso e l'applicazione previsti in conformità con le presenti istruzioni.

Il presente manuale fornisce le informazioni necessarie per la corretta installazione e/o il funzionamento del prodotto. Un'installazione errata e/o un utilizzo o una manutenzione impropri comporteranno prestazioni insoddisfacenti e un possibile guasto.

Il produttore non si assume alcuna responsabilità per eventuali lesioni o danni al prodotto che derivino da:

- montaggio o collegamento non corretti, compresa la sovratensione
- manutenzione non corretta o uso di ricambi diversi da quelli originali forniti dal produttore
- modifiche al prodotto senza esplicita autorizzazione del produttore
- impiego per scopi diversi da quelli descritti nel presente manuale.

Dometic si riserva il diritto di modificare l'aspetto e le specifiche del prodotto.

6 Descrizione delle caratteristiche tecniche

La tenda è disponibile con diversi tipi di funzionamento:

- manuale, tesa
- manuale, sospesa
- elettrica, tesa
- elettrica, sospesa

I modelli tesi richiedono il fissaggio delle corde nel punto opposto al binario di testa:

- staffe per il fissaggio della versione a 3 barre
- fermi opzionali per il fissaggio della versione a 2 barre



NOTA

Dopo la consegna è necessario controllare il tipo di tenda e il contenuto della fornitura rispetto alla conferma d'ordine. Il numero sull'etichetta del prodotto che indica il tipo di tenda si trova sul retro del binario di testa. Alcuni componenti possono sembrare simili.

7 Montaggio



ATTENZIONE! Rischio di lesioni

Importanti istruzioni per la sicurezza. Seguire tutte le istruzioni, in quanto un'installazione non corretta può provocare gravi lesioni.

7.1 Installazione del binario di testa



AVVERTENZA!

Tende elettriche: Scollegare l'alimentazione elettrica prima di iniziare e assicurarsi che non possa essere ricollegata fino al termine dell'installazione.

La tenda può essere montata davanti a una parete o in una rientranza in una parete o a soffitto. Il binario di testa può essere montato nella parte superiore o inferiore della finestra. Sono disponibili binari di testa diversi per le tende elettriche e le tende manuali.

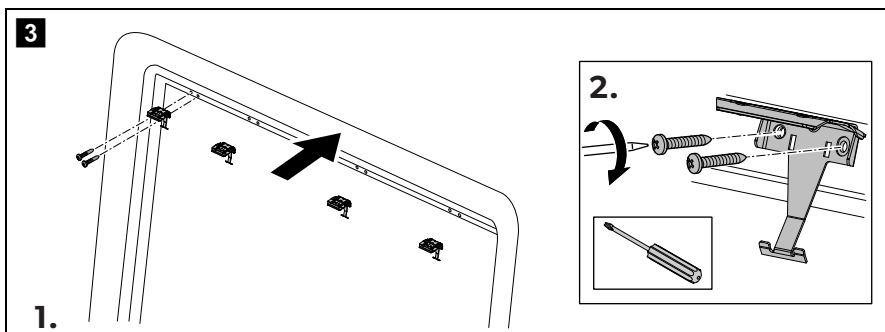
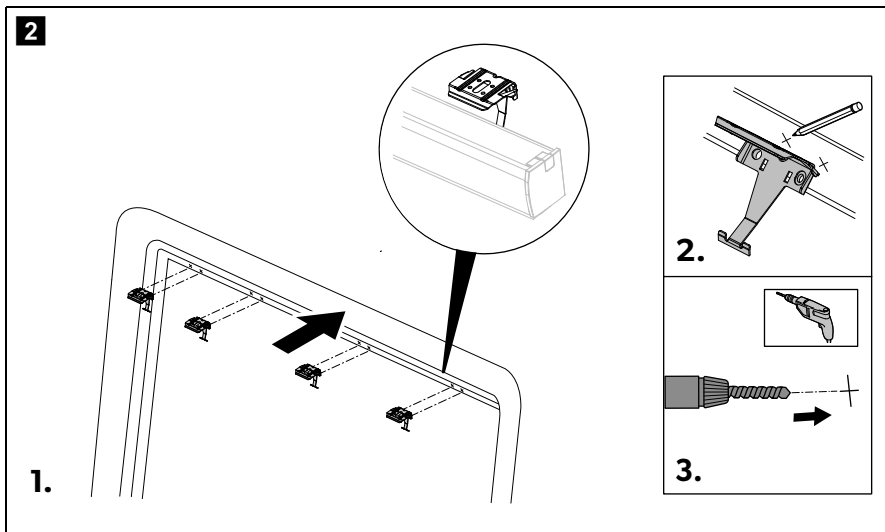
A seconda dello spazio nella posizione di installazione, la sequenza di installazione dei componenti delle tende può variare (ad esempio, per montare prima la barra inferiore).

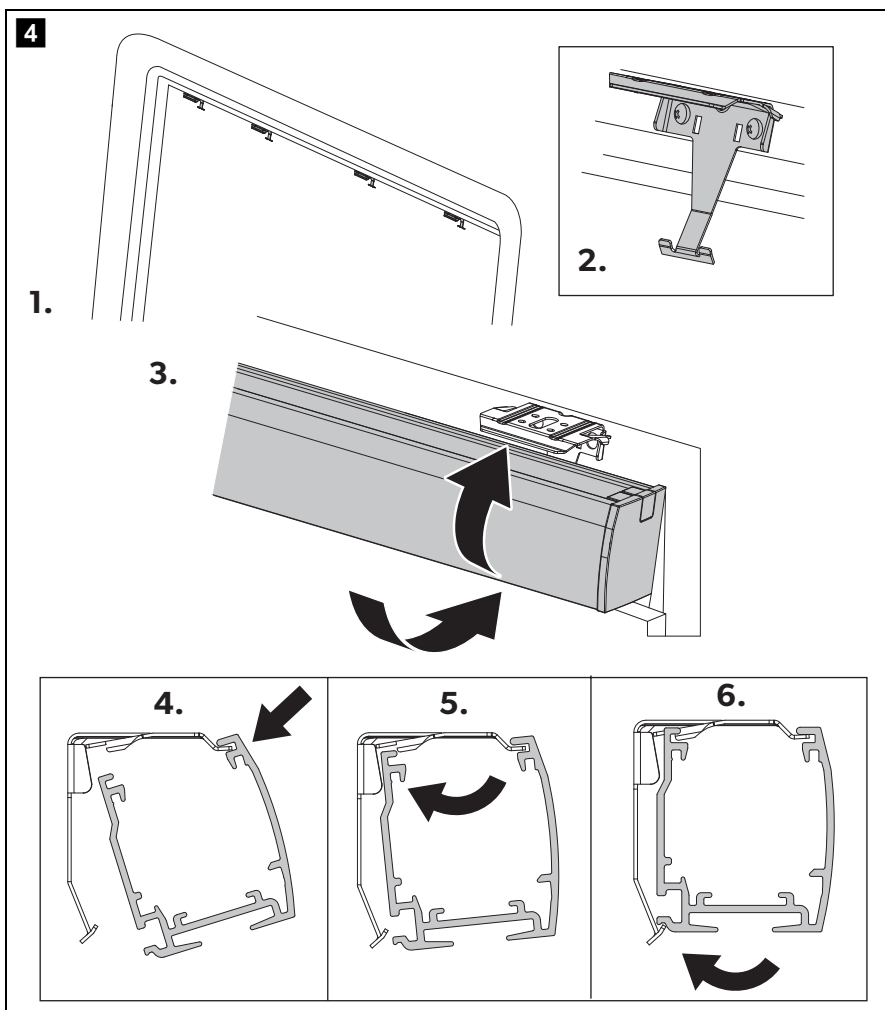


NOTA

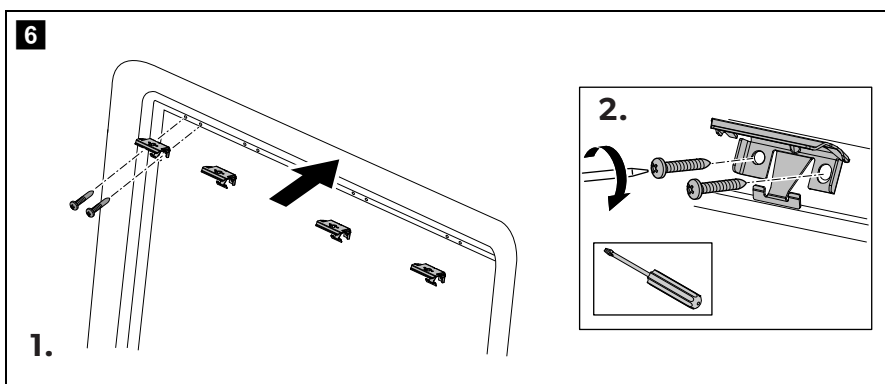
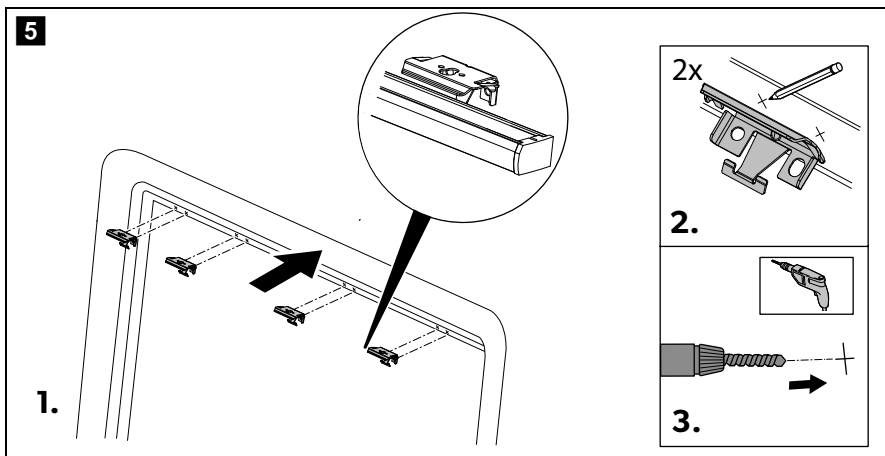
Assicurarsi che dietro le staffe vi sia spazio sufficiente per poter accedere al fermo di rilascio.

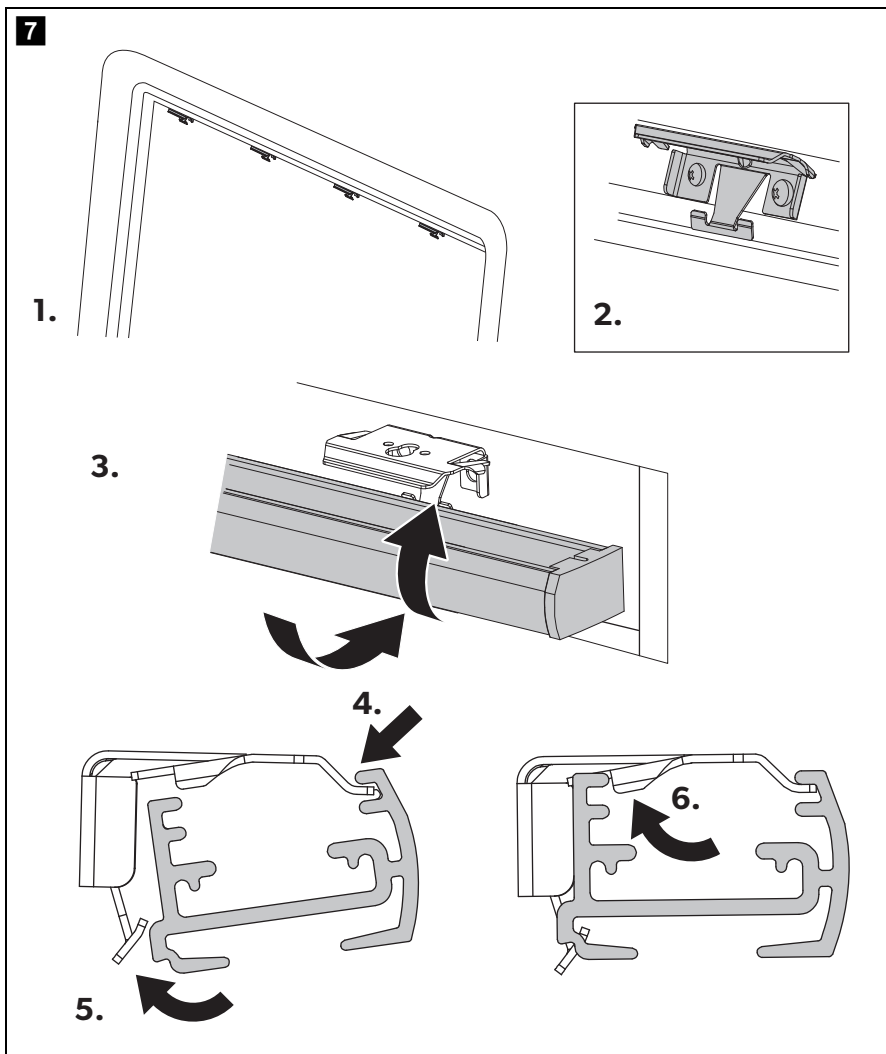
Binario di testa tenda elettrica fissata frontalmente



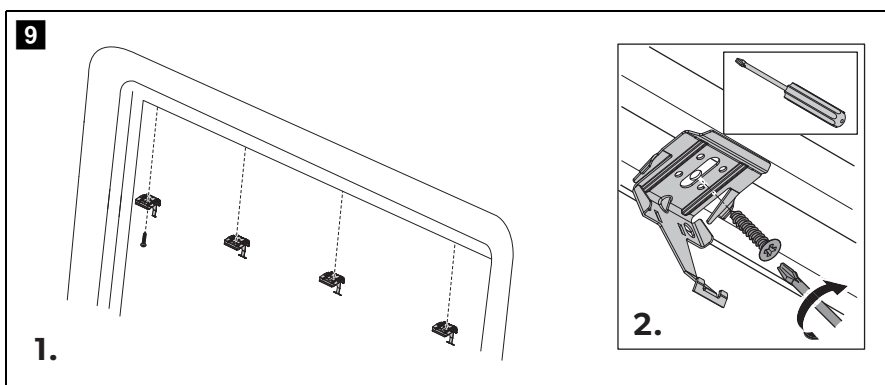
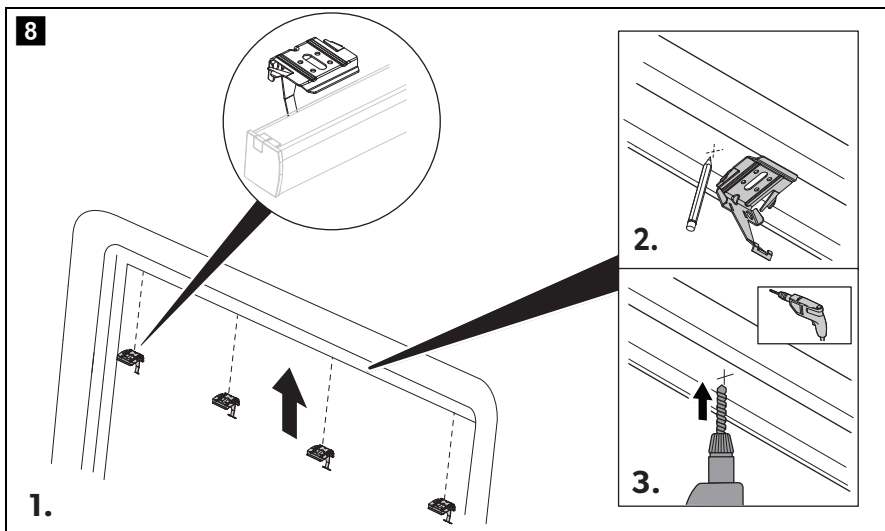


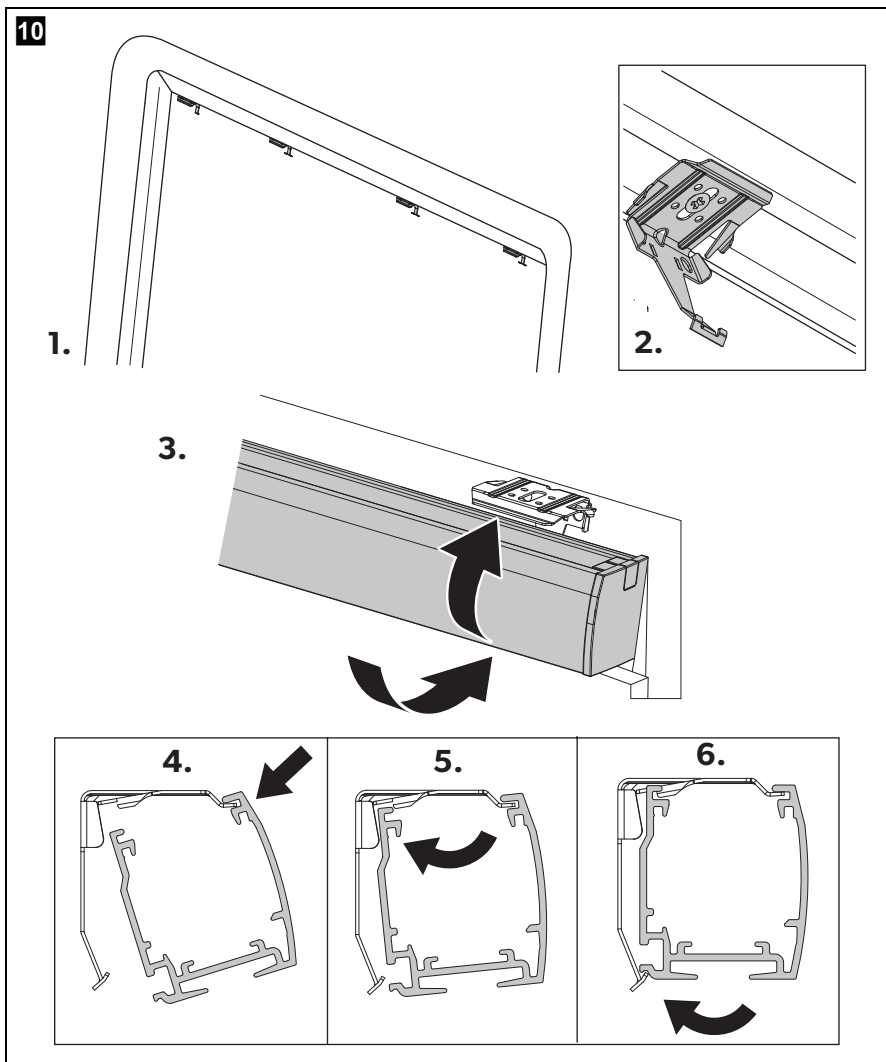
Binario di testa tenda manuale fissata frontalmente



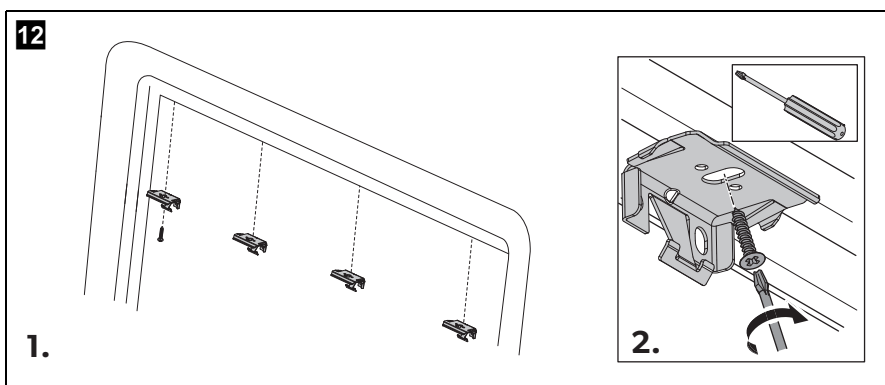
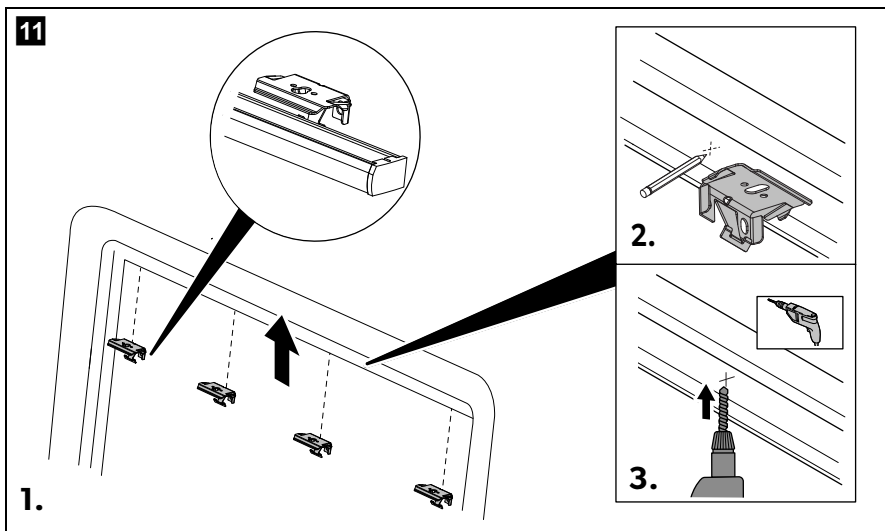


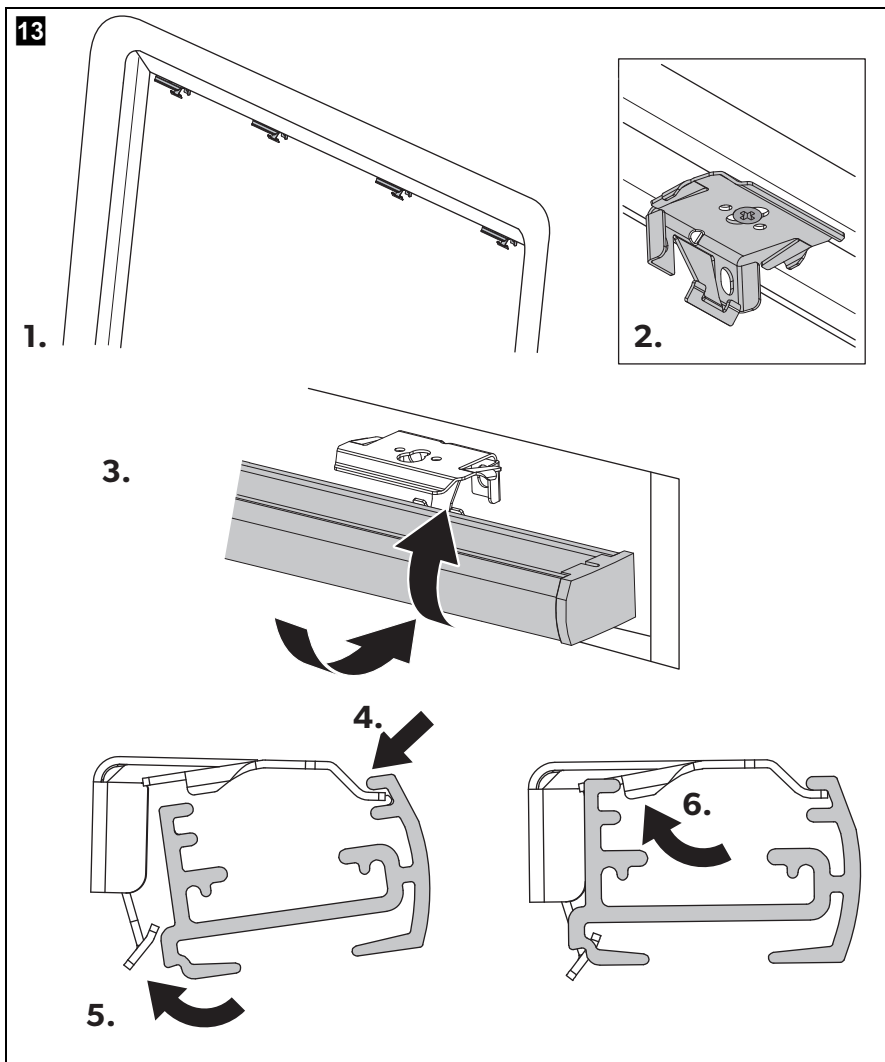
Binario di testa tenda elettrica fissata in una rientranza





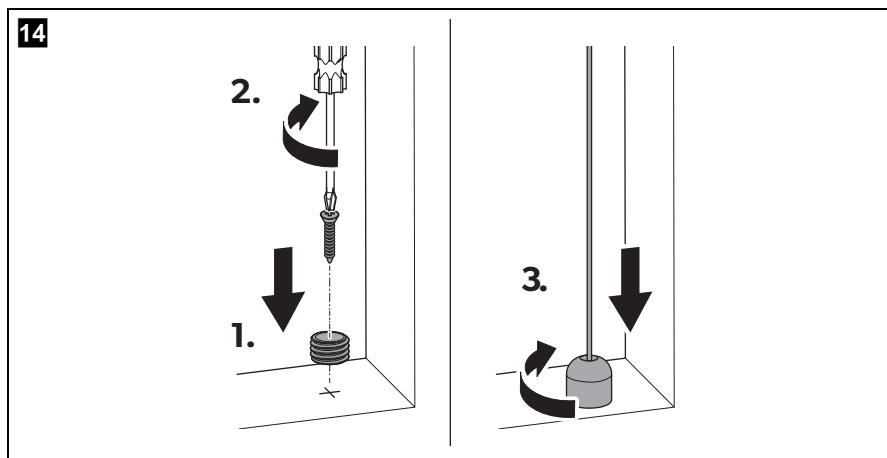
Binario di testa tenda manuale fissata in una rientranza



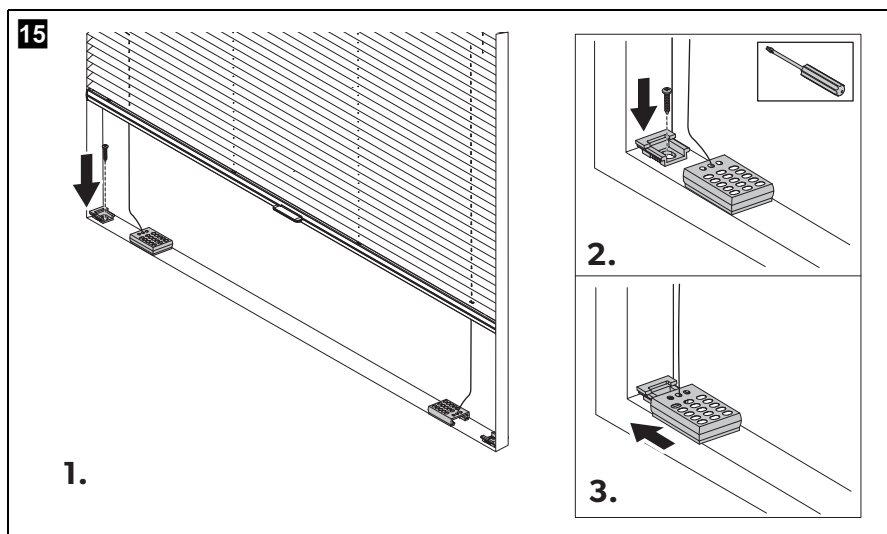


7.2 Fissaggio dei fermi

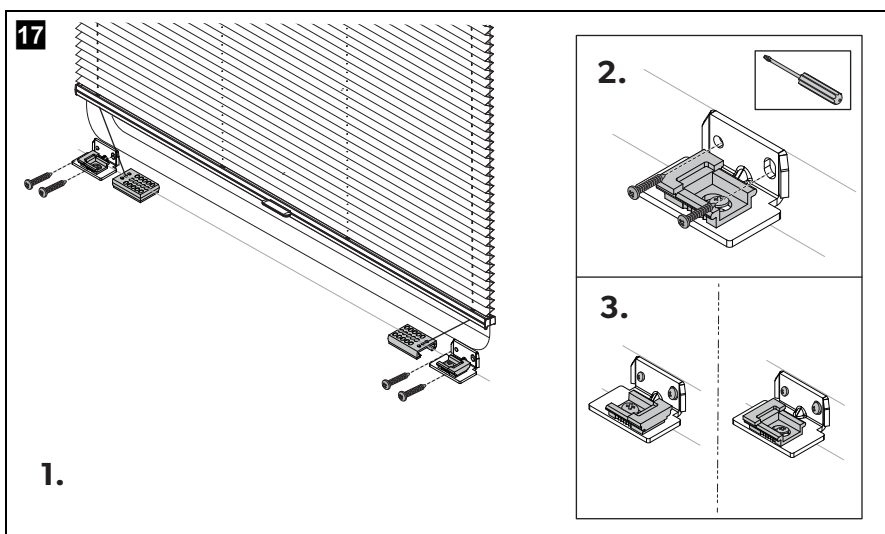
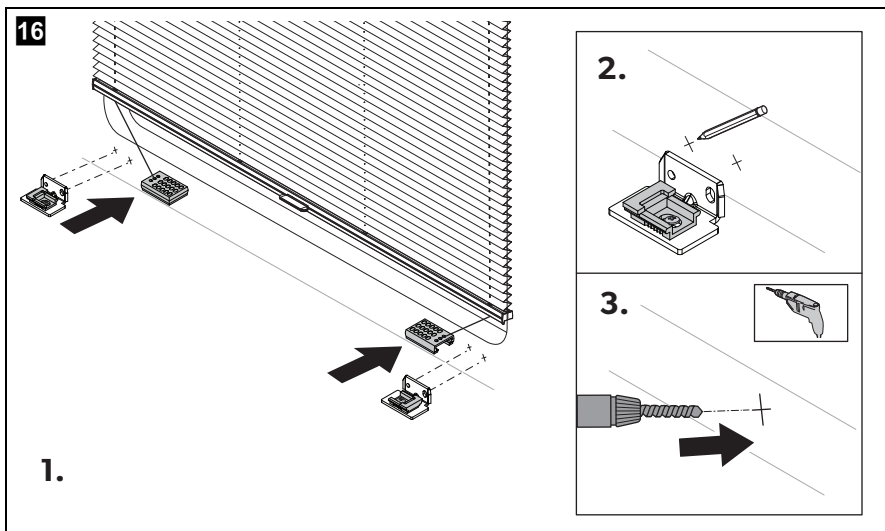
Fermo cupola

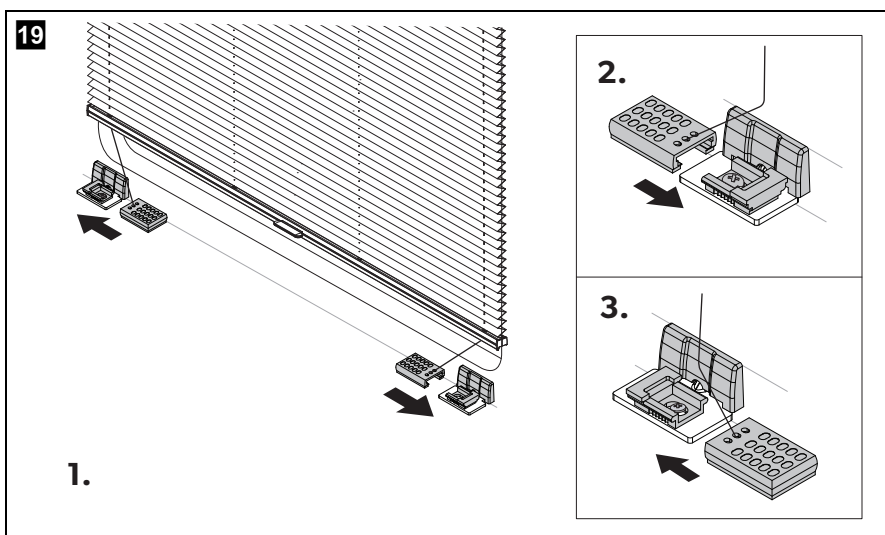
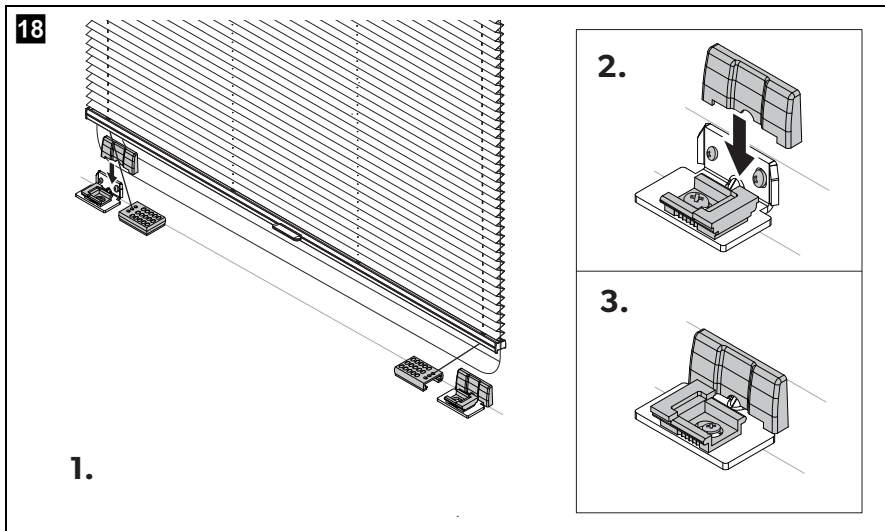


Piastra inferiore fissata in una rientranza



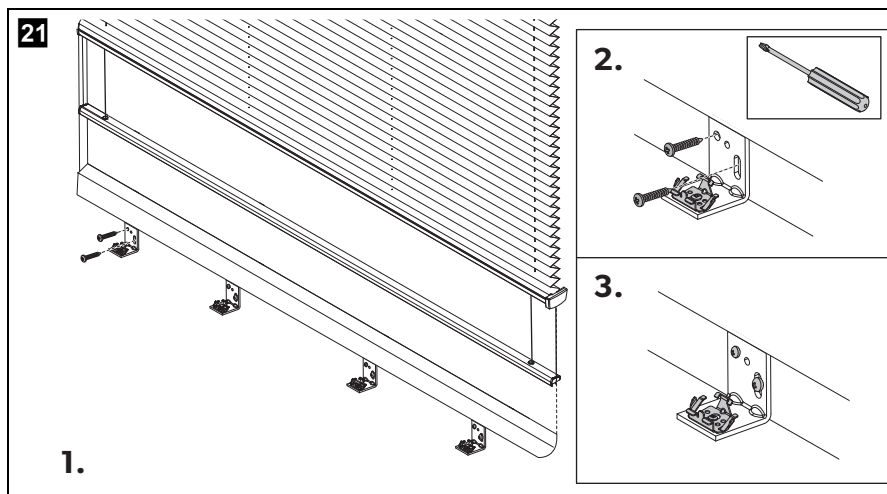
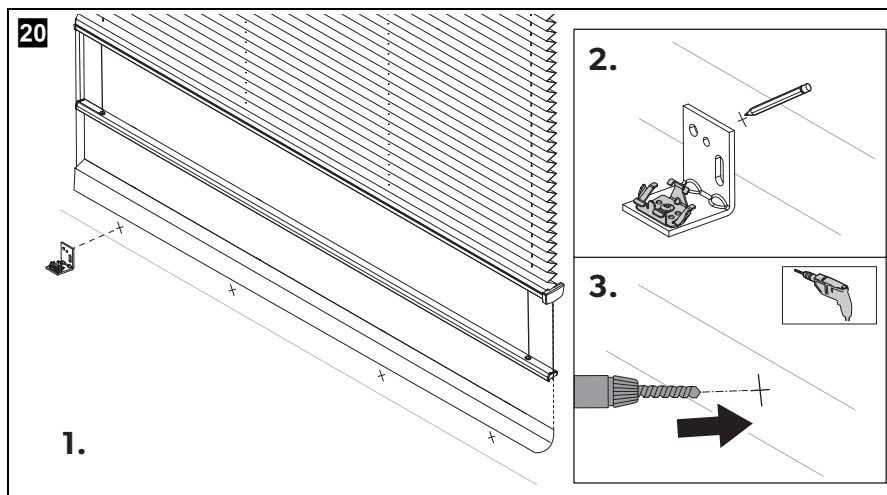
Piastra fissata frontalmente

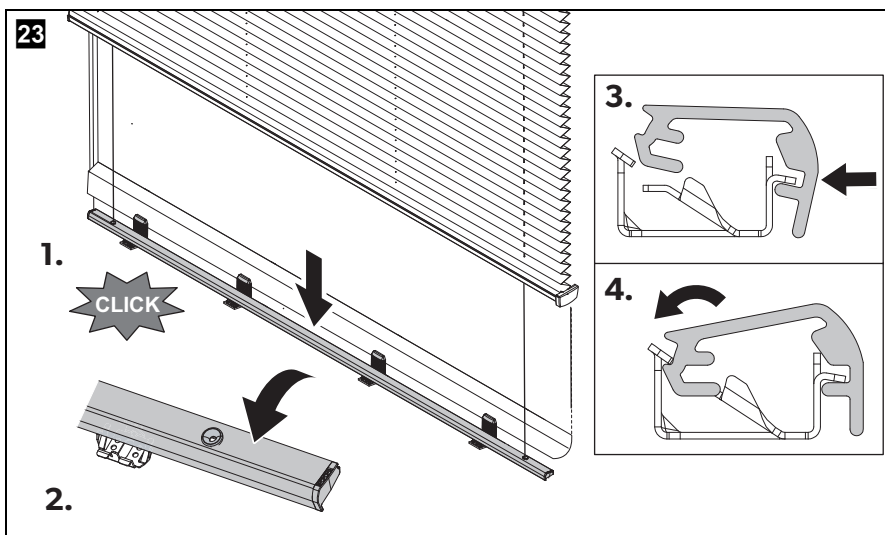
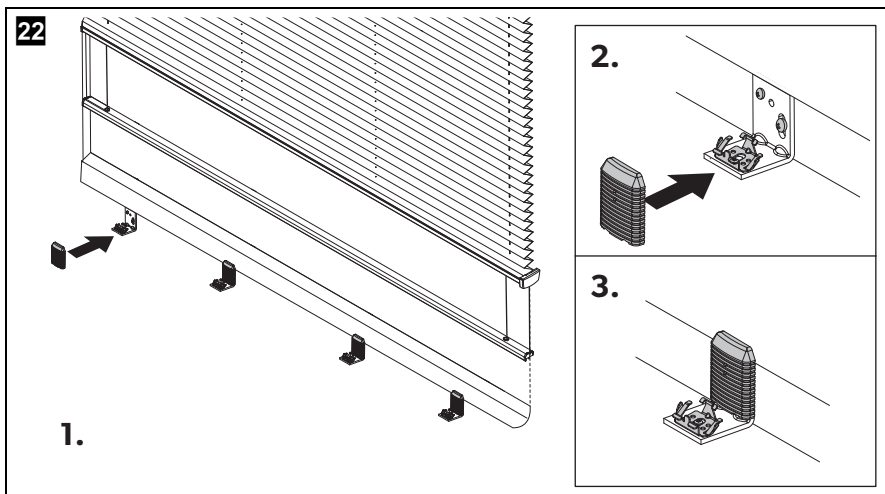




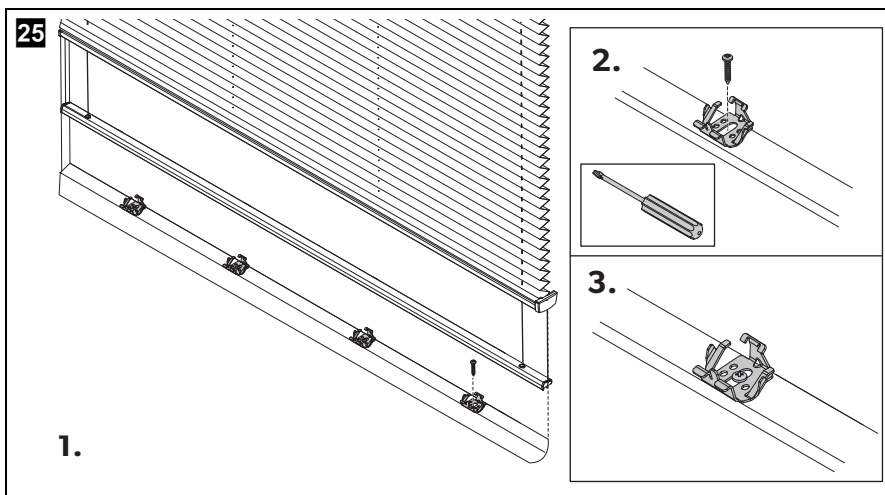
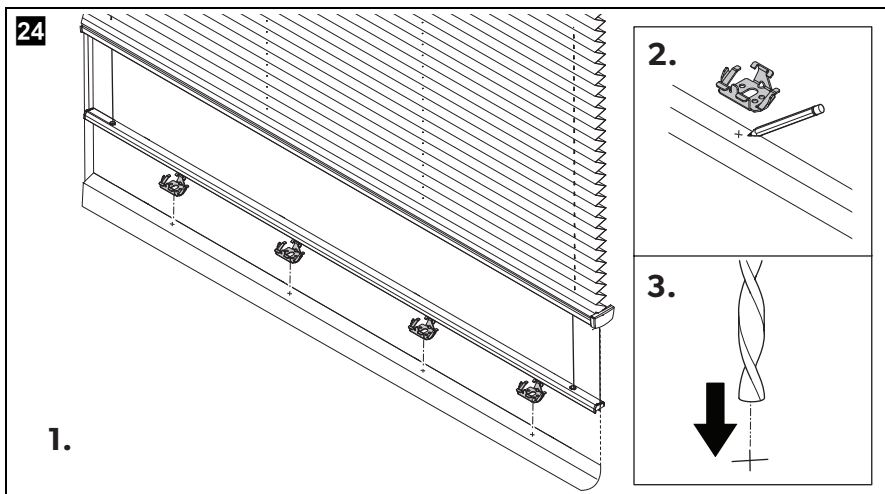
7.3 Fissaggio della barra inferiore

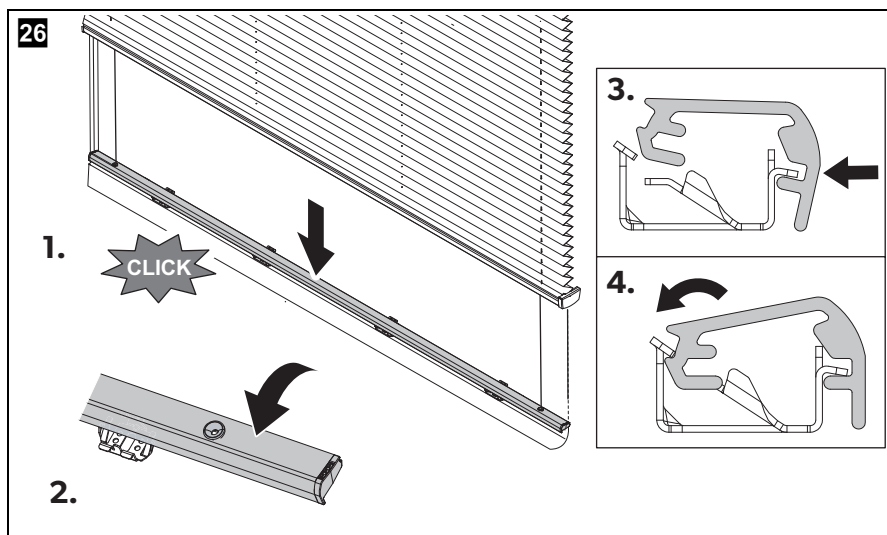
Barra inferiore fissaggio frontale



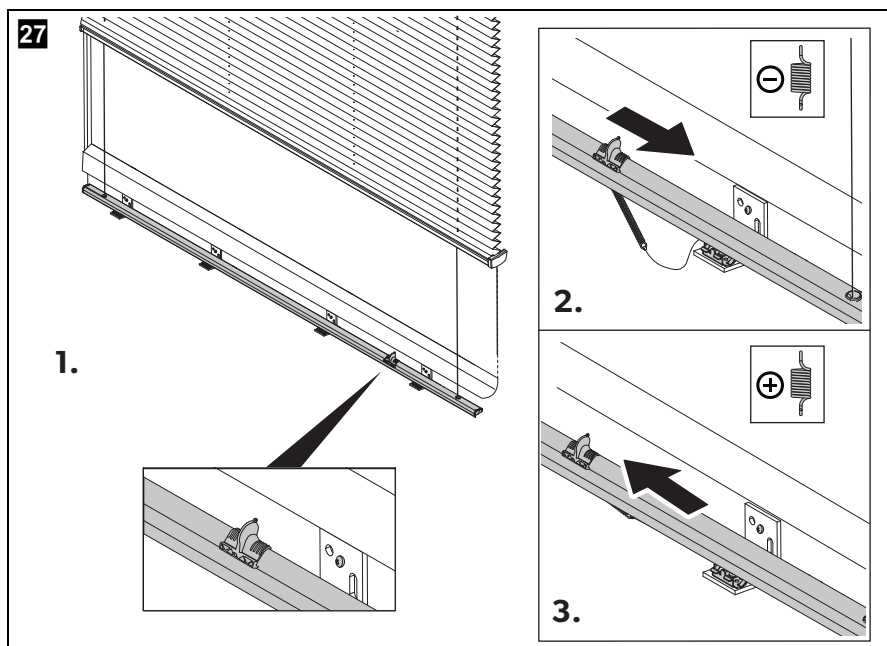


Barra inferiore fissaggio in una rientranza





7.4 Tensionamento dei cavi (solo con il tenditore rapido opzionale)



7.5 Collegamento delle tende (solo per le tende elettriche)

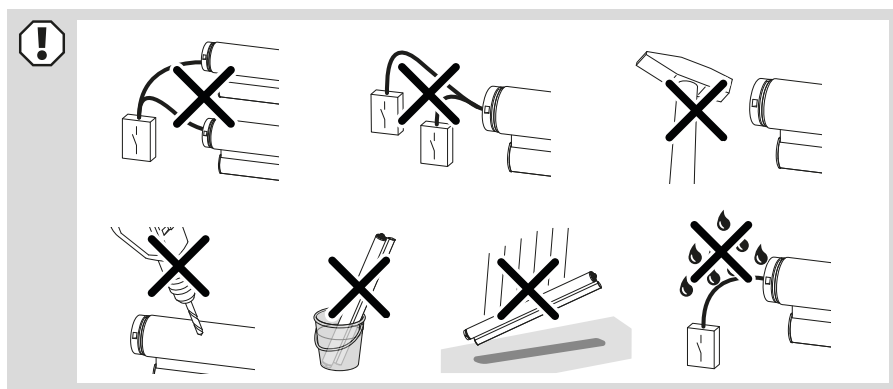


L'alimentazione elettrica deve essere collegata da un elettricista qualificato che abbia dimostrato di possedere abilità e conoscenze sulla costruzione e il funzionamento di apparecchiature elettriche e installazioni e abbia ricevuto la formazione sulla sicurezza per identificare ed evitare i pericoli correlati.

Le tende elettriche possono essere collegate a un'alimentazione 12/24 V $\overline{=}$. La targhetta sul binario di testa fornisce informazioni importanti sulle specifiche del motorino dell'oscurante.

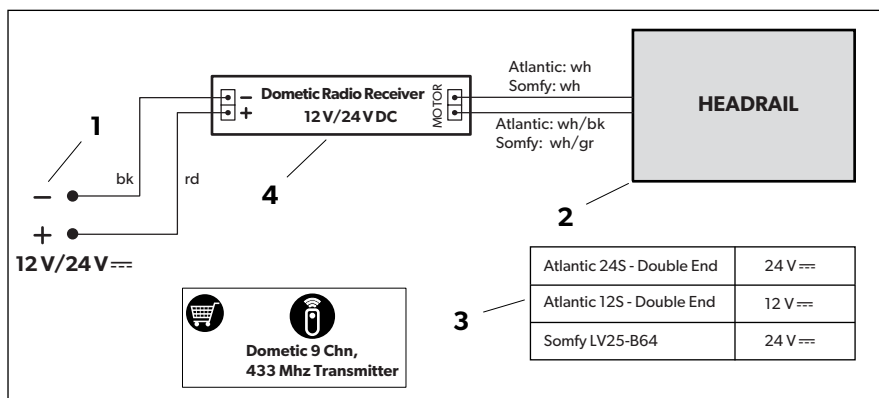
Per il collegamento degli oscuranti occorre tenere presente quanto segue:

- Assicurarsi che i cavi non vengano danneggiati durante l'installazione. La posa dei cavi attraverso pareti o paratie deve essere protetta e isolata per mezzo di adeguate boccole, gommini passacavi o canaline.
- Assicurarsi che nel punto di installazione sia disponibile una rete di alimentazione stabilizzata a 12 V o 24 V per l'azionamento. Assicurarsi che la linea di alimentazione sia disposta e protetta in modo adeguato.
- Il prodotto deve essere collegato all'alimentazione corretta, come specificato sull'etichetta del prodotto. Il motore del prodotto è progettato per interrompere l'alimentazione quando viene superata una corrente impostata, ma l'alimentazione deve essere protetta da fusibile per proteggere il cablaggio del prodotto.
- Fissare tutti i cavi per prevenire un eventuale contatto con parti in movimento.
- Utilizzare solo le unità di alimentazione e gli elementi di comando raccomandati dal fabbricante per evitare danni o guasti durante il funzionamento causati da componenti elettrici incompatibili.
- I dispositivi di controllo (ad es. interruttori) devono essere installati in punti visibili.
- È necessaria un'alimentazione regolata con le specifiche richieste per ciascun motore; in assenza di ciò, il motore potrebbe non funzionare correttamente.
- Per evitare danni al motore si dovrebbe effettuare una regolazione delle posizioni di arresto impostate soltanto con il metodo previsto per il tipo di motore.

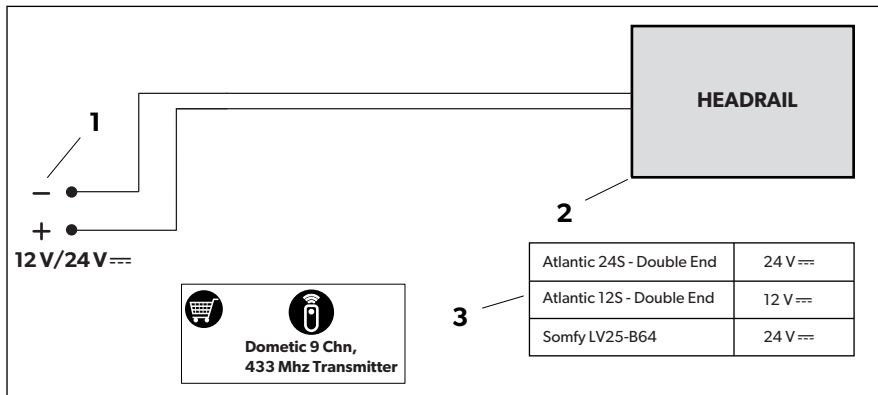


► Collegare il motorino come mostrato negli schemi elettrici.

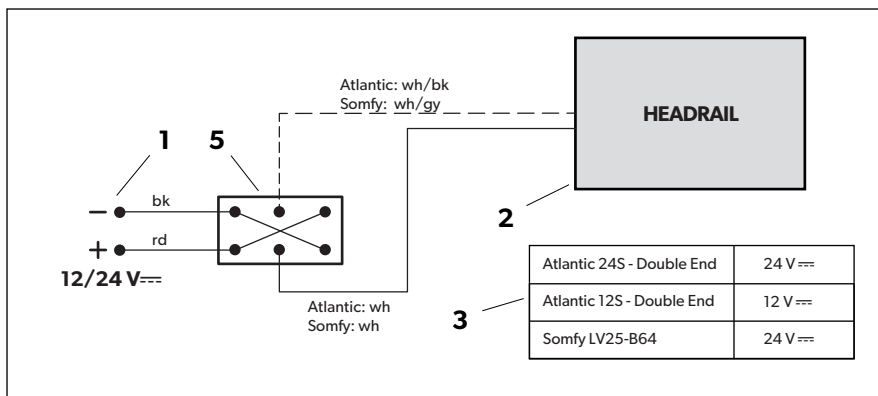
Ricevitore esterno tenda con radiocomando Dometic



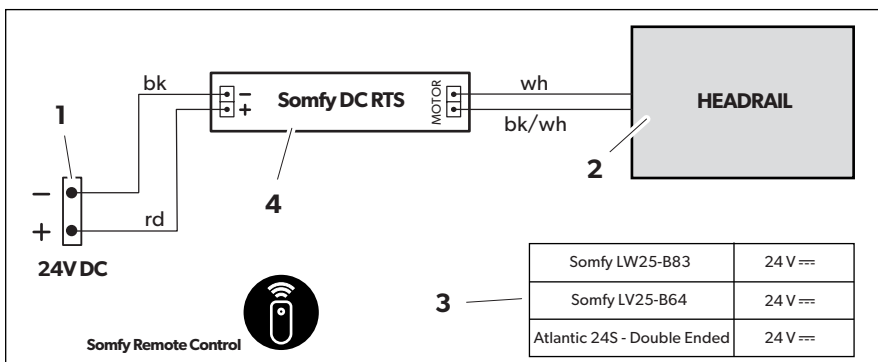
Ricevitore interno tenda con radiocomando Dometic



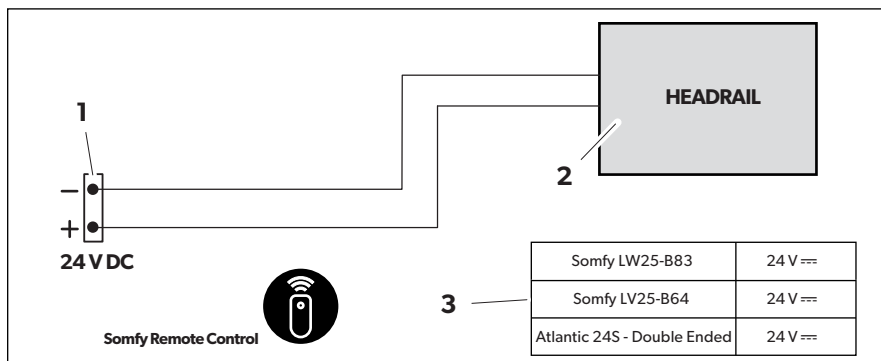
Tende ad azionamento manuale



Ricevitore esterno tenda con comando Somfy RTS



Ricevitore interno tenda con comando Somfy RTS



Legenda degli schemi elettrici

Pos.	Descrizione
1	Alimentazione elettrica
2	Binario di testa
3	Opzioni motore binario di testa
4	Ricevitore esterno
5	Interruttore DPDT fornito dal cliente (bipolare, doppio contatto), posizione centrale stabile, continuo o istantaneo, 12/24 V \sim , 3 A
bk	nero
rd	rosso
gy	grigio
wh	bianco



NOTA

- Gli accessori sono disponibili utilizzando il modulo d'ordine separato.
- Osservare i documenti applicabili per i comandi e gli elementi operativi.

8 Funzionamento



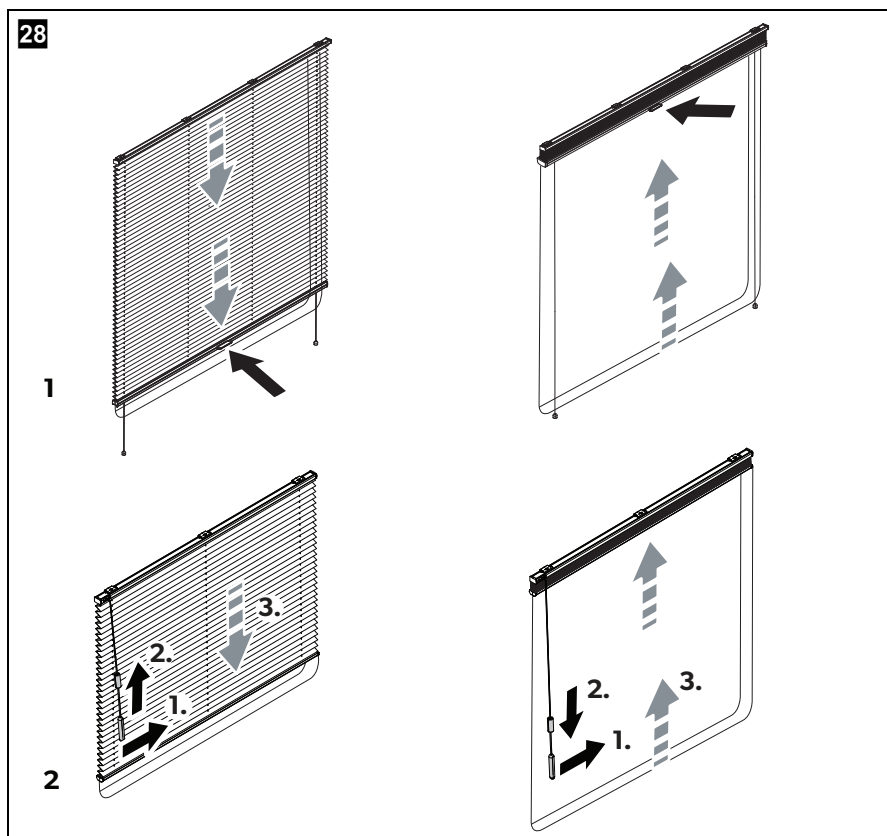
ATTENZIONE! Rischio di lesioni

Solo per barche e yacht: Se l'oscurante si trova davanti a una finestra aperta e si naviga a una velocità superiore a 10 nodi oppure con mare agitato, l'oscurante deve essere chiuso per non evitare danni. Le parti che si staccano possono ferire le persone che si trovano in prossimità.

8.1 Azionamento delle tende manuali

La tenda può essere spostata in qualsiasi posizione tramite la maniglia.

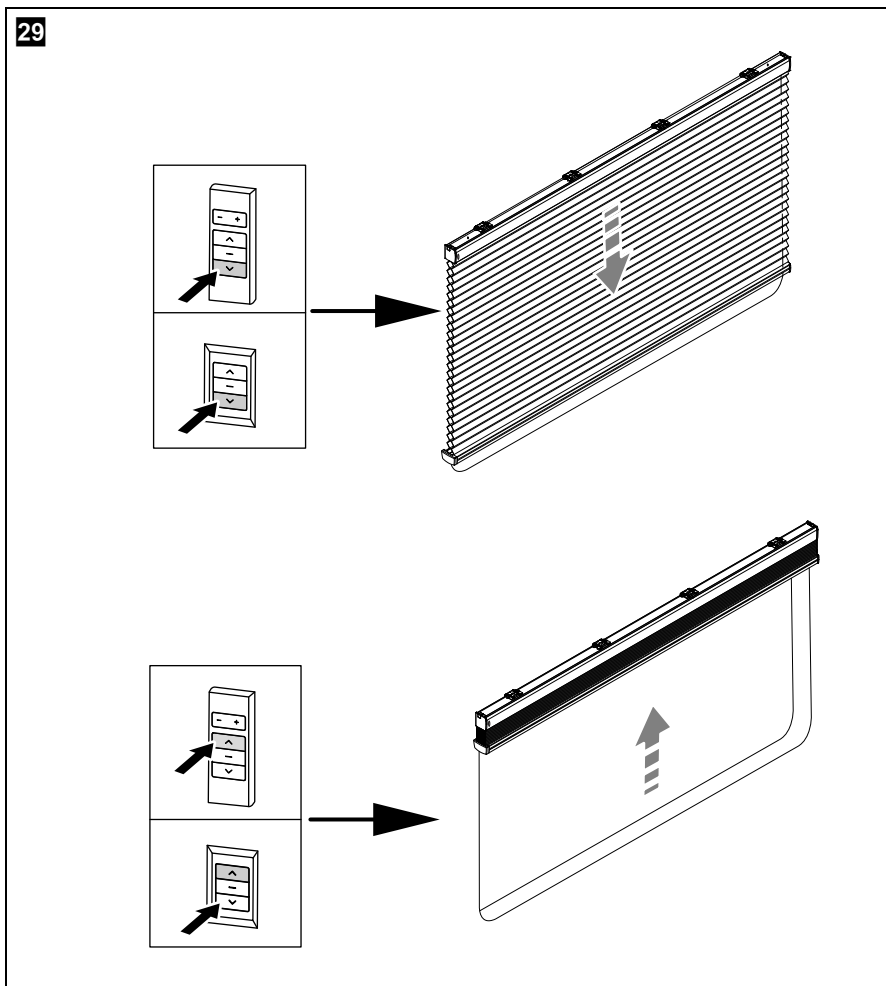
► Procedere come mostrato per azionare la tenda manuale.



8.2 Azionamento delle tende elettriche

Osservare quanto segue:

- Ogni oscurante può essere arrestato in qualsiasi posizione.
 - Quando si aziona la tenda con un sistema di automazione, il funzionamento dipende dalla programmazione dei comandi.
 - La tenda è impostata in fabbrica per fermarsi automaticamente:
 - quando è completamente aperta
 - quando è completamente chiusa
- Procedere come mostrato per azionare la tenda elettrica.



**NOTA**

I motori prevedono un termofusibile autoresetante integrato per motivi di sicurezza. Un utilizzo prolungato o un sovraccarico dell'oscurante può attivare il termofusibile. In questo caso, lasciare raffreddare il motore fino a mezz'ora.

9 Pulizia e cura

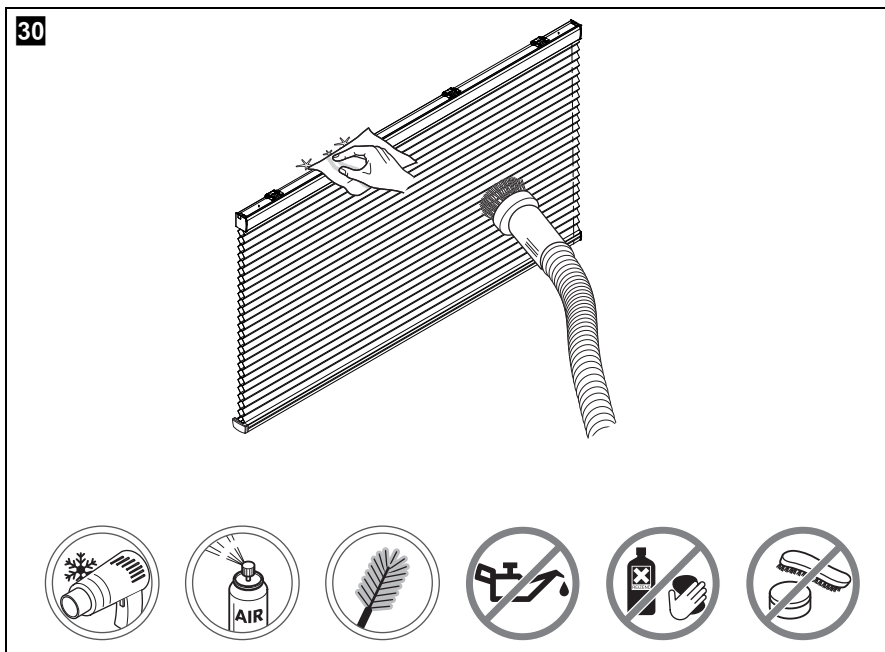
**AVVERTENZA! Rischio di lesioni**

Tende elettriche: Per le tende che possono essere comandate da una posizione senza la tenda in vista, adottare misure organizzative adeguate per impedire il funzionamento della tenda quando si eseguono interventi di manutenzione nelle vicinanze come la pulizia di finestre o pareti.

**AVVISO! Rischio di danni**

- Non ingrassare, oliare o lubrificare l'oscurante. I lubrificanti danneggiano il tessuto.
- Lo sfregamento può danneggiare il tessuto.
- Una pulizia spot può dare luogo ad aree più pulite rispetto a quelle circostanti.
- Non immergere l'oscurante in acqua.
- Il costruttore consiglia di provare i detergenti in un'area nascosta dell'oscurante prima di utilizzarli.

► Per pulire la tenda, procedere come indicato.



10 Risoluzione dei problemi

Guasto	Soluzione
Tensione troppo bassa	► Vedi capitolo “Montaggio” a pagina 146.
La tenda tesa non si muove fluidamente	► Controllare le posizioni di bloccaggio e le dimensioni della rientranza.
Tende elettriche:	
La tenda si ferma nella posizione errata	► Fare riferimento al manuale del dispositivo di controllo.

Guasto	Soluzione
Tende diverse si muovono a velocità diverse	▶ Fare riferimento al manuale del dispositivo di controllo.
La tenda elettrica non funziona	▶ Un utilizzo prolungato o ripetuto può far attivare il termofusibile integrato. Lasciare raffreddare il motore per 20 minuti e riprovare. ▶ Controllare l'alimentazione alla tenda. ▶ Controllare che il cablaggio di tensione al motore sia corretto. ▶ Se dopo aver controllato l'alimentazione il motore è ancora guasto, contattare Dometic.

11 Garanzia

Per informazioni sulla garanzia e sul supporto in garanzia, fare riferimento alle sezioni riportate di seguito.

11.1 Australia e Nuova Zelanda

Se il prodotto non funziona come previsto contattare il rivenditore di fiducia o la filiale del fabbricante nel proprio Paese (vedi dometic.com/dealer). La garanzia applicabile al prodotto è di 1 anno/i.

Per la gestione della riparazione e della garanzia è necessario inviare la seguente documentazione insieme al dispositivo:

- una copia della ricevuta con la data di acquisto,
- il motivo della richiesta o la descrizione del guasto.

Solo Australia

I nostri prodotti sono corredati di garanzie che non possono essere escluse ai sensi della Legge dei consumatori australiana. Avete diritto alla sostituzione o al rimborso per un guasto grave e al risarcimento per qualsiasi altra perdita o danno ragionevolmente prevedibili. Avete anche diritto alla riparazione o alla sostituzione della merce se non è di qualità accettabile e se il guasto non costituisce un guasto grave.

Solo Nuova Zelanda

Questa politica di garanzia è soggetta alle condizioni e alle garanzie obbligatorie previste dal Consumer Guarantees Act 1993(NZ).

Assistenza locale

Per l'assistenza locale consultare: dometic.com/dealer

11.2 Stati Uniti e Canada

LA GARANZIA LIMITATA È DISPONIBILE PRESSO
DOMETIC.COM/WARRANTY.

PER ALTRE DOMANDE O PER RICHIEDERE UNA COPIA GRATUITA DELLA DICHIARAZIONE DI GARANZIA LIMITATA, CONTATTARE:

DOMETIC CORPORATION
CUSTOMER SUPPORT CENTER
2320 INDUSTRIAL PARKWAY
ELKHART, INDIANA 46516
1-800-544-4881
customersupportcenter@dometic.com

11.3 Tutte le altre regioni

Vale il termine di garanzia previsto dalla legge. Se il prodotto è difettoso, contattare la filiale del fabbricante nella propria regione (dometic.com/dealer) o il proprio rivenditore.

Per la gestione della riparazione e della garanzia è necessario inviare la seguente documentazione insieme al dispositivo:

- una copia della ricevuta con la data di acquisto,
- il motivo della richiesta o la descrizione del guasto.

Tenere presente che le riparazioni eseguite in autonomia o da personale non professionista possono avere conseguenze sulla sicurezza e invalidare la garanzia.

12 Smaltimento

12.1 Australia e Nuova Zelanda



- Raccogliere il materiale di imballaggio possibilmente negli appositi contenitori di riciclaggio.
- Consultare il centro locale di riciclaggio o il rivenditore specializzato per informazioni su come smaltire il prodotto secondo le norme sullo smaltimento applicabili.

12.2 Tutte le altre regioni



- Raccogliere il materiale di imballaggio possibilmente negli appositi contenitori di riciclaggio.
- Consultare il centro locale di riciclaggio o il rivenditore specializzato per informazioni su come smaltire il prodotto secondo le norme sullo smaltimento applicabili.
- È possibile smaltire il prodotto gratuitamente.

Lees deze gebruiksaanwijzing zorgvuldig door en volg alle instructies, richtlijnen en waarschuwingen in deze handleiding op om ervoor te zorgen dat u het product te allen tijde op de juiste manier installeert, gebruikt en onderhoudt. Deze gebruiksaanwijzing MOET bij dit product bewaard worden.

Door het product te gebruiken, bevestigt u hierbij dat u alle instructies, richtlijnen en waarschuwingen zorgvuldig hebt gelezen en dat u de voorwaarden zoals hierin beschreven begrijpt en accepteert. U gaat ermee akkoord dit product alleen te gebruiken voor het beoogde doel en de beoogde toepassing en in overeenstemming met de instructies, richtlijnen en waarschuwingen zoals beschreven in deze gebruiksaanwijzing en in overeenstemming met de geldende wet- en regelgeving. Het niet lezen en opvolgen van de hierin beschreven instructies en waarschuwingen kan leiden tot letsel voor uzelf en anderen, schade aan uw product of schade aan andere eigendommen in de omgeving. Deze gebruiksaanwijzing, met inbegrip van de instructies, richtlijnen en waarschuwingen, en de bijbehorende documentatie kan onderhevig zijn aan wijzigingen en updates. Actuele productinformatie vindt u op documents.dometic.com.

Inhoudsopgave

1	Verklaring van de symbolen	173
2	Veiligheidsaanwijzingen	174
3	Omvang van de levering	177
4	Accessoires	179
5	Beoogd gebruik	179
6	Technische beschrijving	179
7	Montage	180
8	Gebruik	200
9	Reiniging en onderhoud	202
10	Problemen oplossen	203
11	Garantie	204
12	Afvalverwijdering	206

1 Verklaring van de symbolen



WAARSCHUWING!

Veiligheidsaanwijzing: duidt op een gevaarlijke situatie die, indien deze niet wordt voorkomen, kan leiden tot ernstig letsel of de dood.



VOORZICHTIG!

Veiligheidsaanwijzing: duidt op een gevaarlijke situatie die, indien deze niet wordt voorkomen, kan leiden tot licht of matig letsel.

**LET OP!**

Duidt op een situatie die, indien deze niet wordt voorkomen, kan leiden tot materiële schade.

**INSTRUCTIE**

Aanvullende informatie voor het gebruik van het product.

2 Veiligheidsaanwijzingen



WAARSCHUWING! Het niet in acht nemen van deze waarschuwingen kan leiden tot ernstig letsel of de dood.

Elektrocuciegevaar (alleen voor elektrisch bediende rolgordijnen)

- Gebruik het toestel niet als het zichtbaar beschadigd is.
- Als de stroomkabel van dit toestel beschadigd is, moet deze, om gevaren te voorkomen, worden vervangen door de fabrikant, diens klantenservice of gelijkwaardig bevoegd personeel.
- Door ondeskundige reparaties kunnen grote gevaren ontstaan.
- Ontkoppel het rolgordijn van de voeding alvorens onderhoud uit te voeren.

Gevaar voor de gezondheid

- Belangrijke veiligheidsinstructies. Het is belangrijk voor de veiligheid van personen om deze instructies te volgen. Bewaar deze instructies.
- Dit toestel mag worden gebruikt door kinderen vanaf 8 jaar en ouder evenals door personen met verminderd fysiek, zintuiglijk of mentaal vermogen of gebrek aan kennis en ervaring, mits zij onder toezicht staan of zijn geïnstrueerd in het veilig gebruik van het toestel en zij inzicht hebben in de gevaren die het gebruik ervan met zich meebrengt.
- Kinderen mogen niet met het toestel spelen.
- Reiniging en gebruikersonderhoud mogen niet door kinderen zonder toezicht worden uitgevoerd.
- Rolgordijnen moeten voor het rijden worden ingerold, zodat de bestuurder vrij zicht heeft.

- **Alleen voor elektrisch bediende rolgordijnen:**

- Monteer geen elektrische rolgordijnen onder vluchtluiken.
- Aanpassing van het ontwerp of de configuratie van de apparatuur zonder uitdrukkelijke toestemming van de fabrikant kan leiden tot een gevaarlijke situatie.
- Laat kinderen niet met de bedieningsinrichting van het rolgordijn spelen. Houd afstandsbedieningen uit de buurt van kinderen.
- Controleer de installatie regelmatig op tekenen van slijtage of beschadiging van kabels. Niet gebruiken als reparatie noodzakelijk is.
- Gebruik niet als onderhoud, zoals ramen wassen, in de buurt wordt uitgevoerd.

Verstikkingsgevaar



- Jonge kinderen kunnen verstrikt raken in lussen in trekkoorden, kettingen, linten en binnenkoorden die het product bedienen, en daarvoor stikken.
- Houd koorden buiten het bereik van jonge kinderen om wurging en verstriking te voorkomen. Koorden kunnen om de nek van een kind gewikkeld raken.
- Plaats bedden, ledikantjes en meubels uit de buurt van koorden van raamverduistering.
- Knoop de koorden niet aan elkaar vast. Zorg ervoor dat de koorden niet ineendraaien en een lus vormen.

Verstikkingsgevaar

- Dit toestel bevat kleine deeltjes. Houd het uit de buurt van kinderen onder 3 jaar.
- De verpakking bevat plastic zakken. Houd deze uit de buurt van kinderen onder 3 jaar.



VOORZICHTIG! Het niet in acht nemen van deze waarschuwingen kan leiden tot licht of matig letsel.

Gevaar voor letsel

- Het toestel mag alleen worden geïnstalleerd, verwijderd of gerepareerd door bevoegd of competent personeel dat het juiste bevestigingsmateriaal gebruikt.
- Tref geschikte voorzorgsmaatregelen alvorens het rolgordijn te monteren. Draag persoonlijke beschermingsmiddelen.

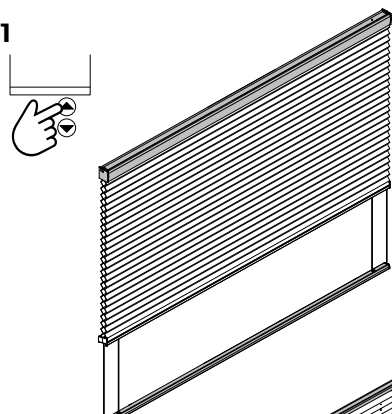
- **Alleen voor boten en jachten:** Als het rolgordijn voor een open venster hangt, moet het rolgordijn worden ingerold bij snelheden hoger dan 10 knopen of bij een zeetoestand die meer dan matig is, omdat het rolgordijn anders beschadigd kan raken. Losrakende delen kunnen personen in de omgeving verwonden.

**LET OP!****Gevaar voor schade**

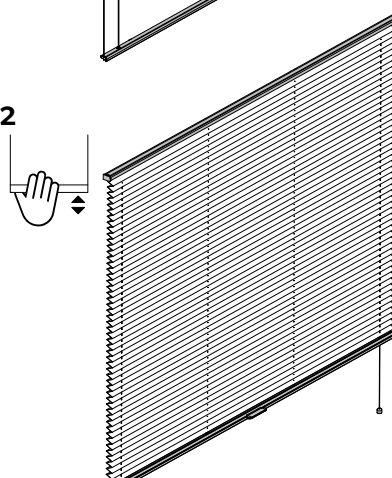
- Rolgordijnen moeten compleet worden ingerold als de boot of het voertuig onderweg is.
- Gebruik uitsluitend schroeven en pluggen die geschikt zijn om het rolgordijn te bevestigen op wanden.
- Voorkom dat u door de wand heen boort.
- Zorg ervoor dat uw handen schoon zijn of draag geschikte handschoenen om te voorkomen dat de stof wordt aangetast.
- **Alleen voor elektrisch bediende rolgordijnen:**
 - Controleer of de spanningspecificatie op het kabellabel dezelfde is als dat van de stroomvoorziening.
 - Gebruik alleen kabels met een geschikte kabeldoorsnede.

3 Omvang van de levering

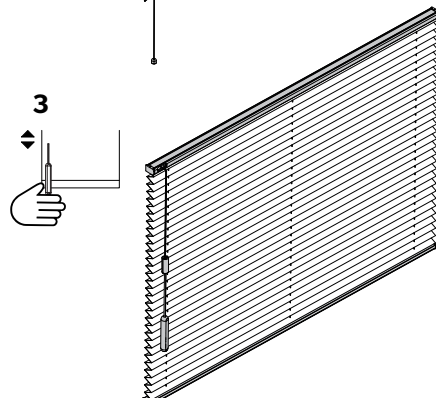
1









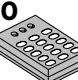
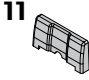
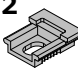
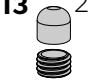
2


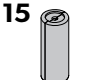
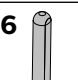




3



4	5
	
6	7
	

8	9
	
10	11
	
12	13 2x
	

14	15
	
16	
	

17	18
	

Nr. in afb. 1	Aantal	Beschrijving
1 – 3	1	Gordijneenheid Ontwerp afhankelijk van het model, bijv. elektrisch of handmatig, vrij hangend of gespannen, uitvoering met 2 stangen of uitvoering met 3 stangen
4	Afhankelijk van de grootte van het verduisteringsgordijn	Hoofdrailsteun voor elektrisch bediend verduisteringsgordijn
5	Afhankelijk van de grootte van het verduisteringsgordijn	L-beugelafdekking (optioneel voor montage op de wand)
6	Afhankelijk van de grootte van het verduisteringsgordijn	Beugelset voor uitvoering met 3 stangen (optioneel voor montage op de wand)
7	Afhankelijk van de grootte van het verduisteringsgordijn	Beugelset voor uitvoering met 3 stangen (optioneel voor verzonken montage)
8, 14	Afhankelijk van de grootte van het verduisteringsgordijn	Hoofdrailsteun voor handmatig bediende verduisteringsgordijnen
9	Afhankelijk van de grootte van het verduisteringsgordijn	Basisplaat
10	2	Basisplaat (optioneel voor vlak- en verzonken montage, alleen voor uitvoering met 2 stangen)
11	Afhankelijk van de grootte van het verduisteringsgordijn	L-beugelafdekking
12	Afhankelijk van grootte en hoek verduisteringsgordijn	Basisplaat (optioneel voor verzonken montage, alleen voor uitvoering met 2 stangen)
13	1	Set voor koepelbevestiging (optioneel voor uitvoering met 2 stangen, bevestigd aan meegeleverd verduisteringsgordijn)
15	1	Toverstaf/eikel
16	1	Houder voor ontgrendelingshendel
17 – 18	Optioneel	Afstandsstukken voor het waterpas stellen van het verduisteringsgordijn (optioneel)

4 Accessoires

Accessoires zijn verkrijgbaar via het aparte bestelformulier. Een geautoriseerde klantenservice vindt u op dometic.com.

5 Beoogd gebruik

Het rolgordijn is geschikt voor:

- Installatie in jachten en boten
- Installatie in caravans en campers

Het ontwerp en de grootte van de rolgordijnen zijn op maat gemaakt. De stof van de rolgordijnen is op maat gemaakt volgens de specificaties van de klant.

De rolgordijnen zijn bedoeld voor gebruik binnen en mogen niet worden gemon-teerd in badkamers, natte cellen of andere plaatsen met een hoge vochtigheid.

Dit product is alleen geschikt voor het beoogde gebruik en de toepassing in over-eenstemming met deze gebruiksaanwijzing.

Deze handleiding geeft informatie die nodig is voor een correcte installatie en/of correct gebruik van het product. Een slechte installatie en/of onjuist gebruik of onderhoud leidt tot onbevredigende prestaties en mogelijke storingen.

De fabrikant aanvaardt geen aansprakelijkheid voor letsel of schade aan het product die het gevolg is van:

- Onjuiste montage of aansluiting, inclusief te hoge spanning
- Onjuist onderhoud of gebruik van andere dan door de fabrikant geleverde origi-nele reserveonderdelen
- Wijzigingen aan het product zonder uitdrukkelijke toestemming van de fabrikant
- Gebruik voor andere doeleinden dan beschreven in deze handleiding

Dometic behoudt zich het recht voor om het uiterlijk en de specificaties van het pro-duct te wijzigen.

6 Technische beschrijving

Het verduisteringsgordijn is beschikbaar in verschillende werkingsprincipes:

- Handmatig, gespannen
- Handmatig, vrij hangend
- Elektrisch, gespannen

- Elektrisch, vrij hangend

Bij gespannen modellen moeten de snoeren aan de andere kant van de hoofd rail worden bevestigd:

- Steunen voor bevestiging van de uitvoering met 3 stangen
- Neerhoudopties voor bevestiging van de uitvoering met 2 stangen



INSTRUCTIE

Na levering moeten het type rolgordijn en de leveringsomvang worden gecontroleerd volgens de orderbevestiging. Het nummer op het productietiket dat het type rolgordijn aangeeft, bevindt zich aan de achterkant van de hoofd rail. Gevormde paren kunnen er ongeveer hetzelfde uitzien.

7 Montage



VOORZICHTIG! Gevaar voor letsel

Belangrijke veiligheidsinstructies. Volg alle instructies, omdat verkeerde installatie tot ernstig letsel kan leiden.

7.1 De hoofd rail monteren



WAARSCHUWING!

Elektrische rolgordijnen: Schakel de stroomtoevoer voor installatie uit, en zorg ervoor dat deze pas weer kan worden ingeschakeld nadat de installatie is voltooid.

Het verduisteringsgordijn kan op een wand of verzonken in een wand of plafond worden bevestigd. De hoofd rail kan aan de boven- of onderkant van het raam worden bevestigd. Er zijn verschillende hoofd rails voor elektrisch bediende verduisteringsgordijnen en handbediende verduisteringsgordijnen.

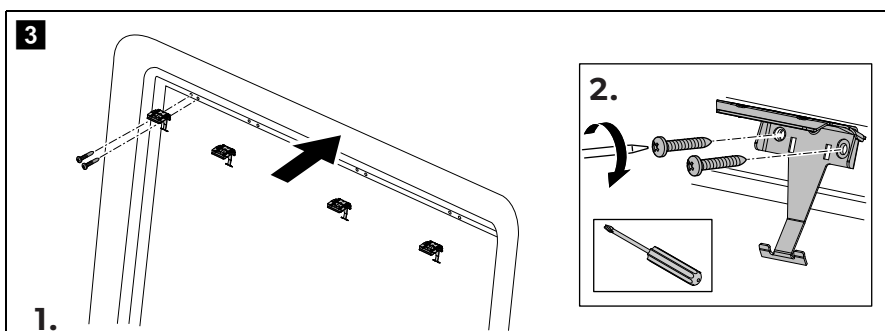
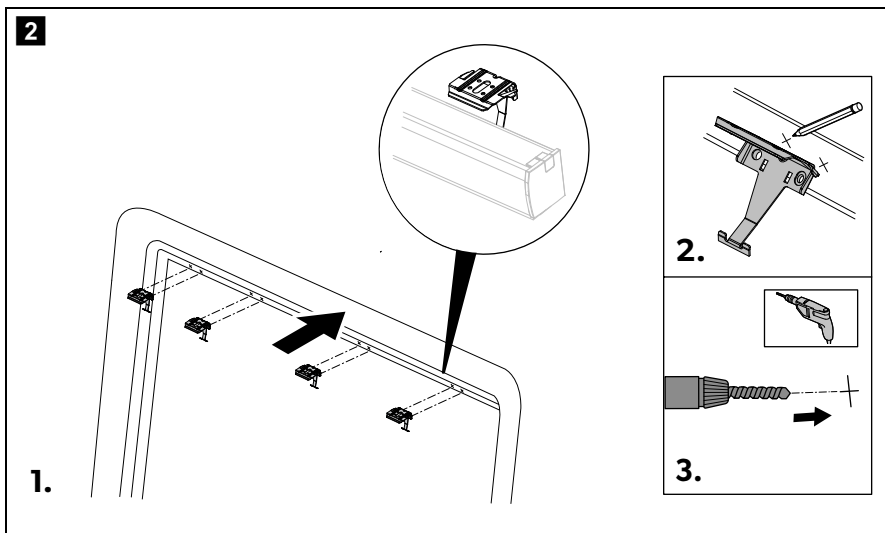
Afhankelijk van de ruimte op de installatielocatie kan de volgorde waarin de verduisteringsgordijncomponenten worden gemonteerd variëren (bijv. om eerst de onderste stang te monteren).

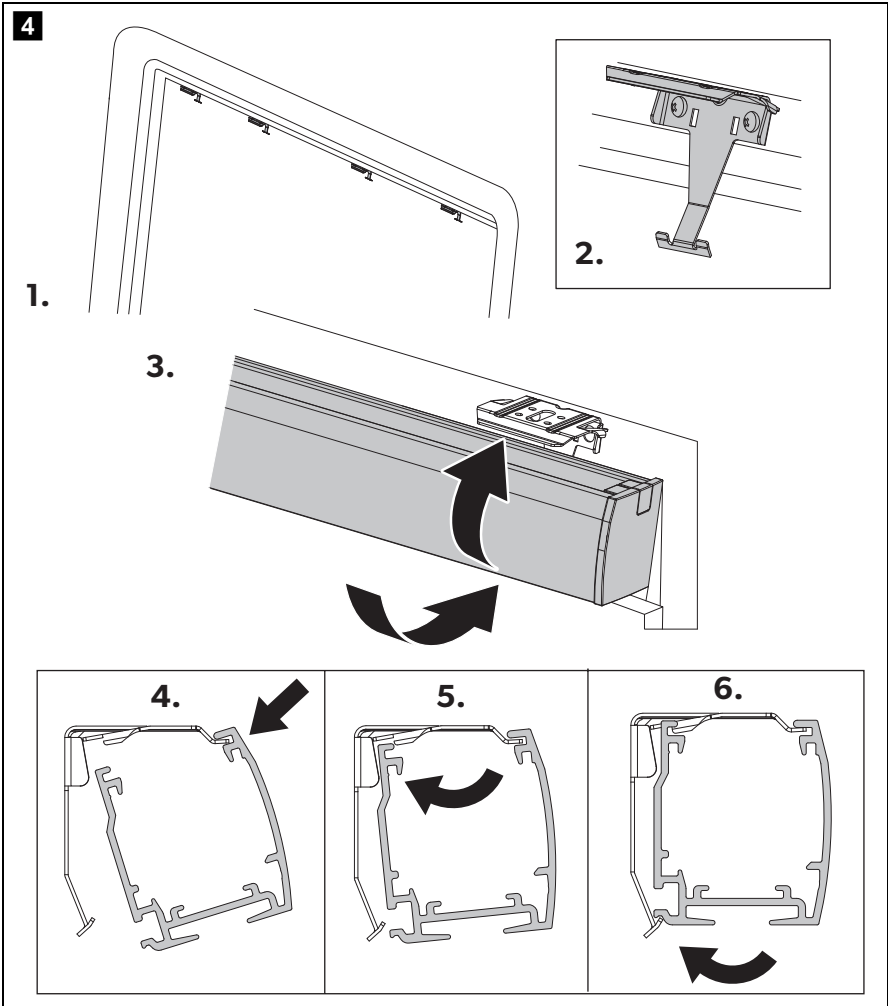


INSTRUCTIE

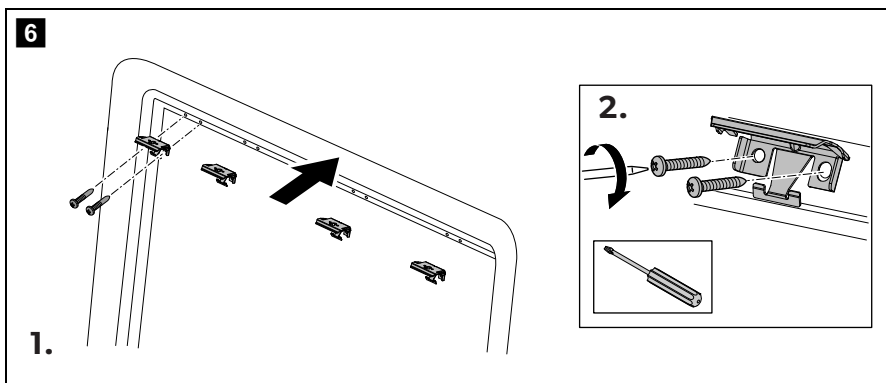
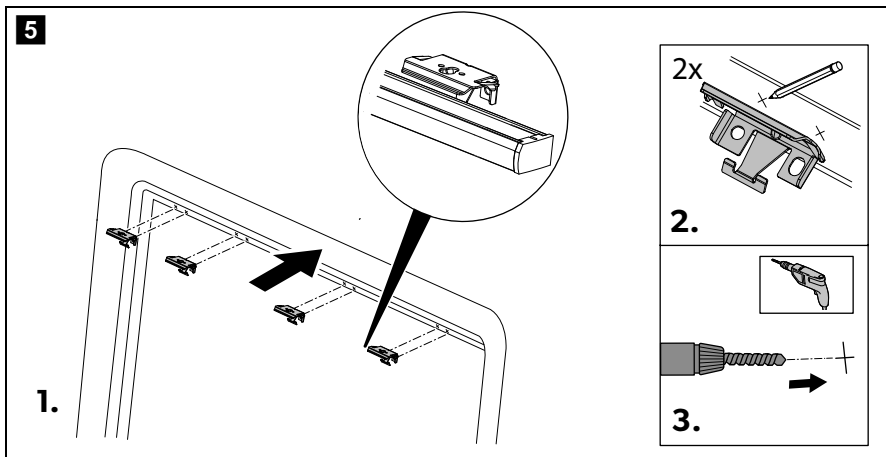
Zorg voor voldoende ruimte achter de beugels voor toegang tot de ontgrendeling.

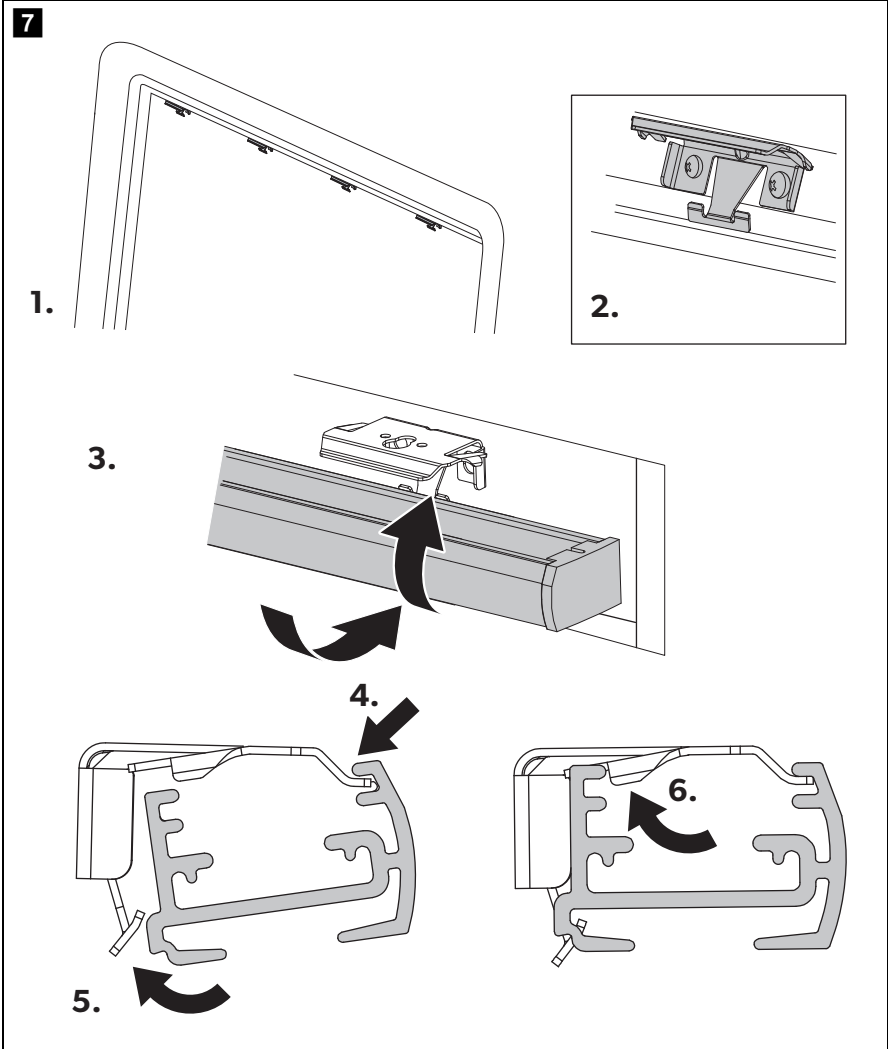
Elektrische hoofdrail wandbevestiging



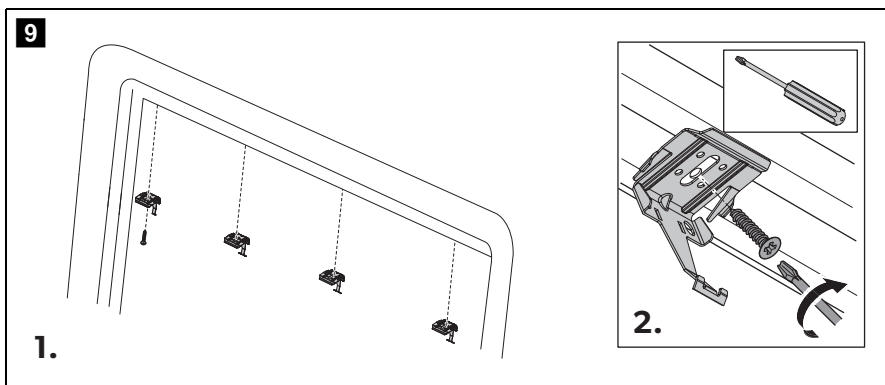
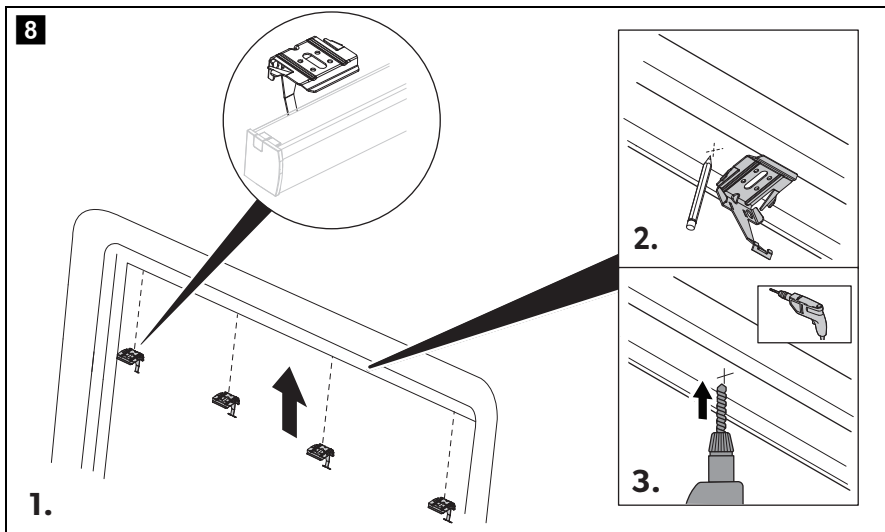


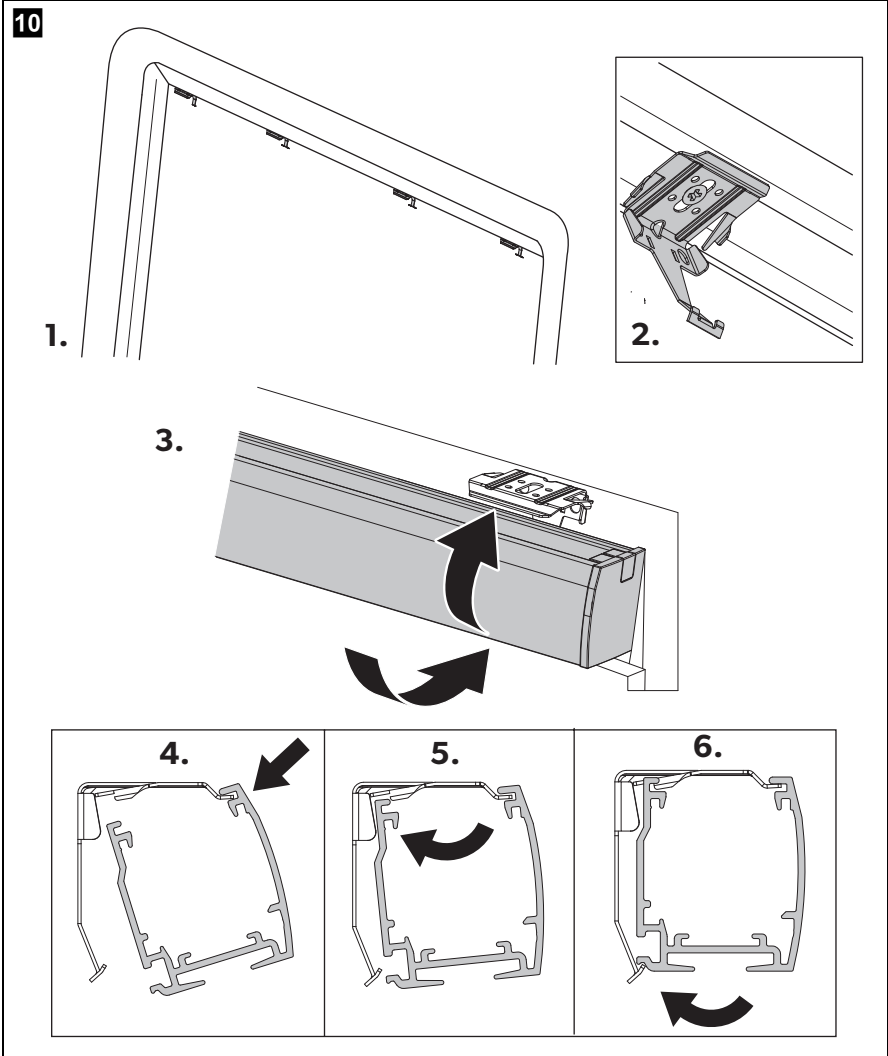
Handmatige hoofdrail wandbevestiging



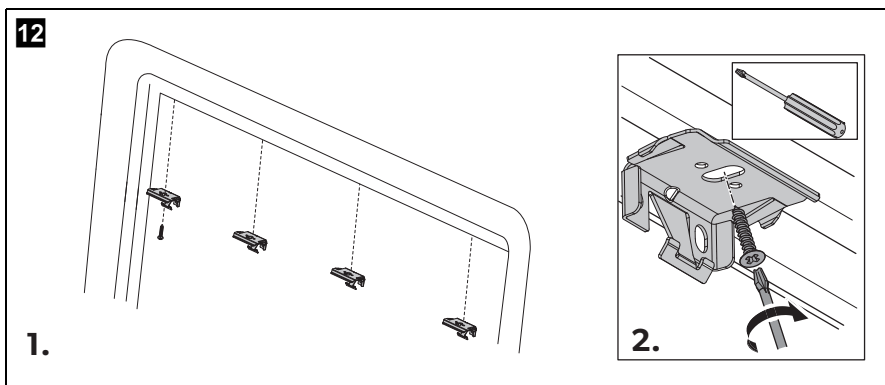
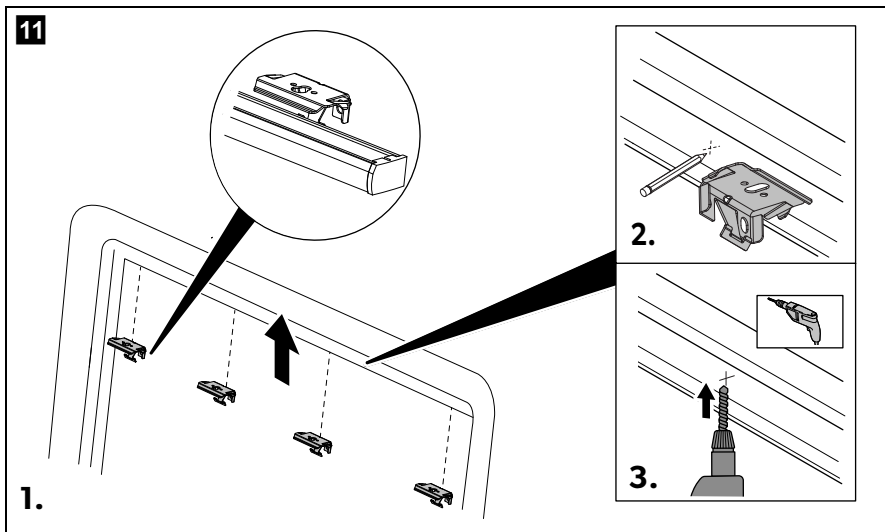


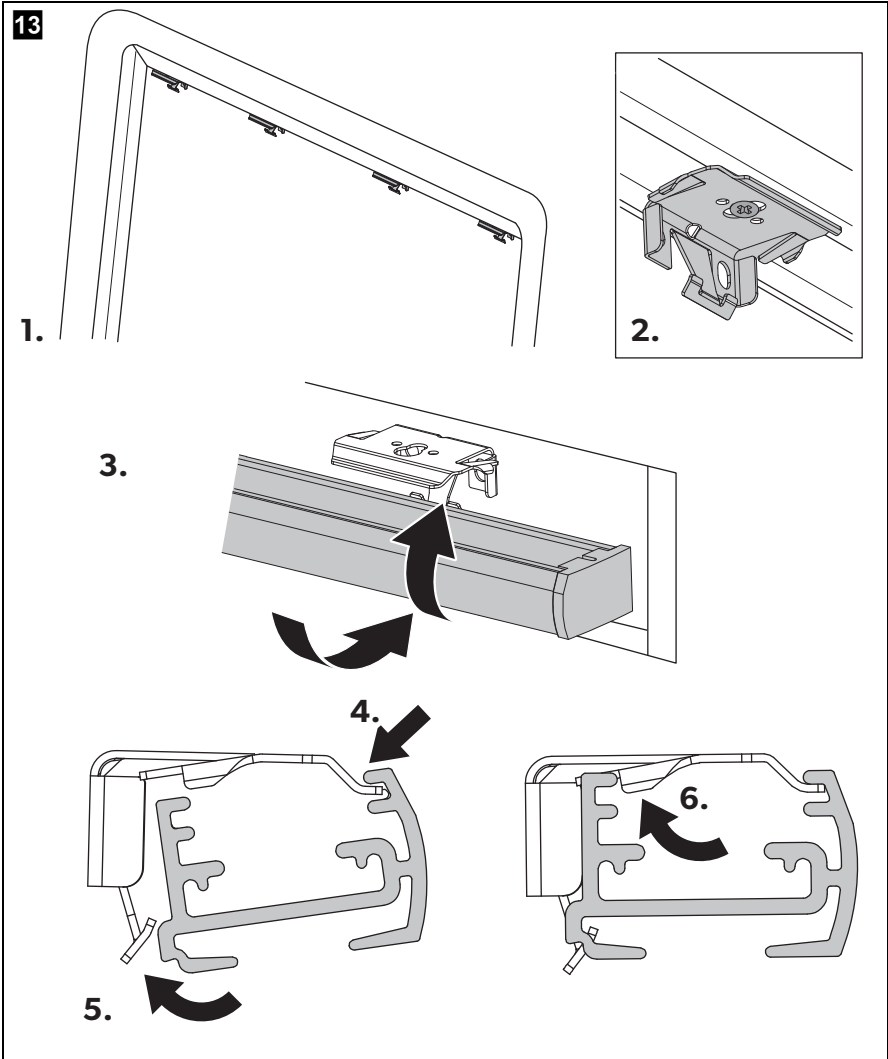
Elektrische hoofdrail verzonken bevestiging





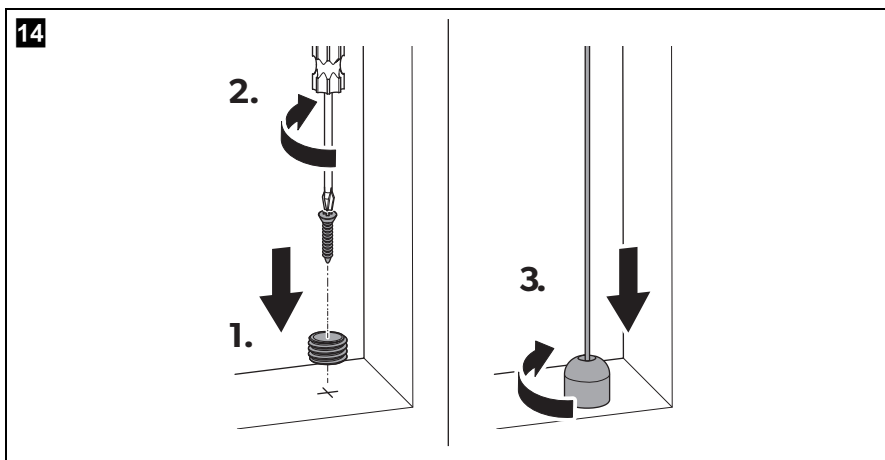
Handmatige hoofd rail verzonken bevestiging



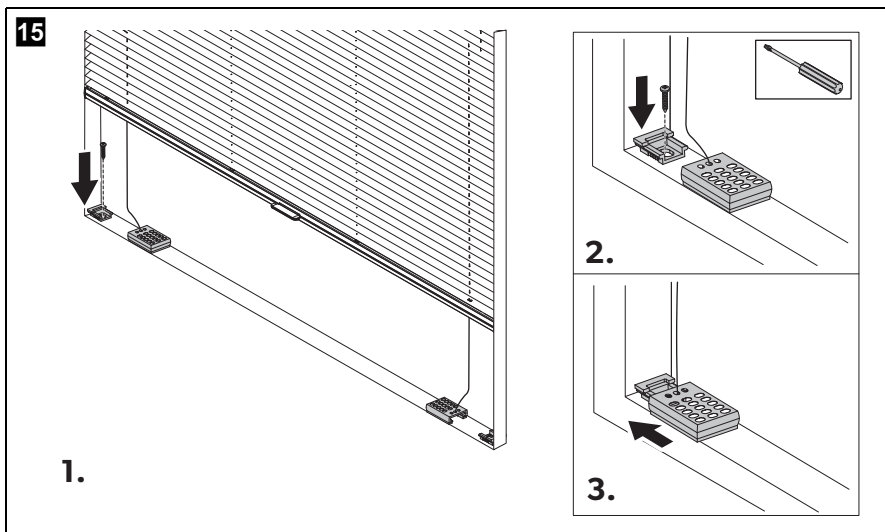


7.2 Vastzetten van de bevestigingen

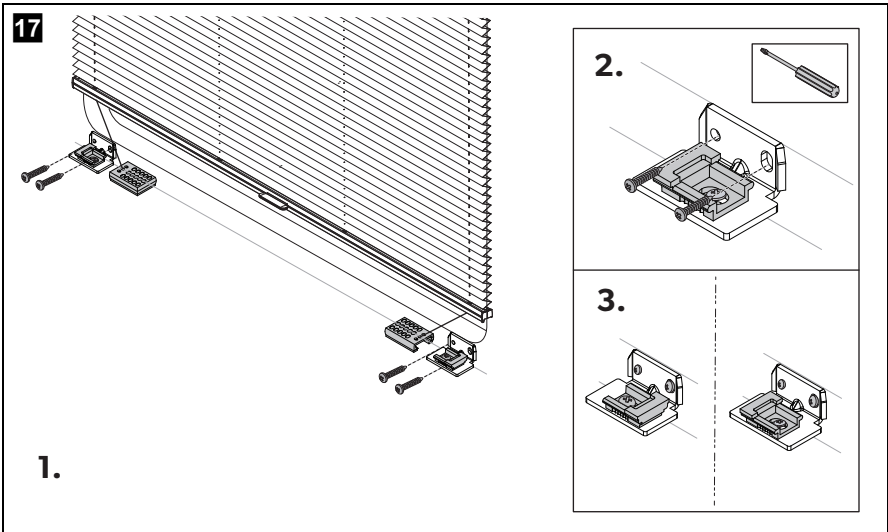
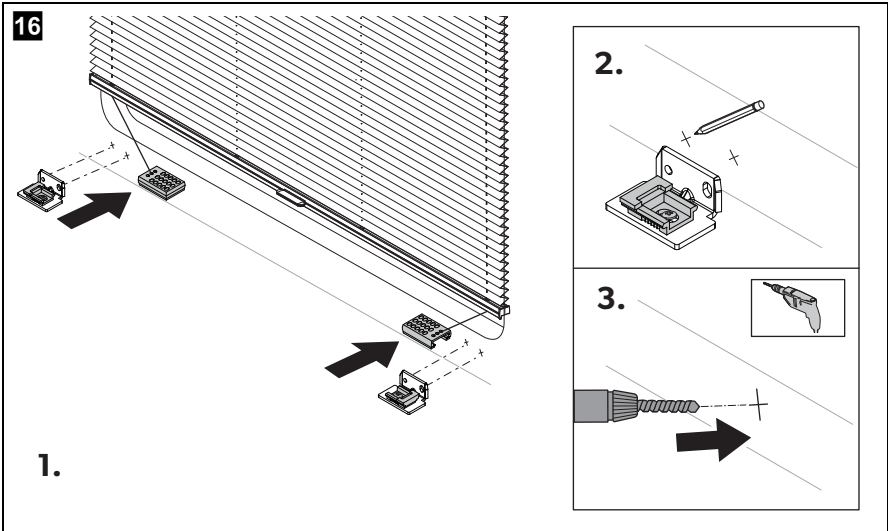
Uitsparing voor koepelbevestiging

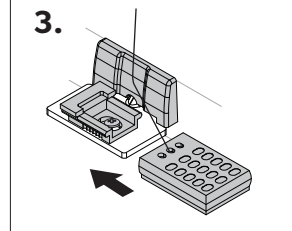
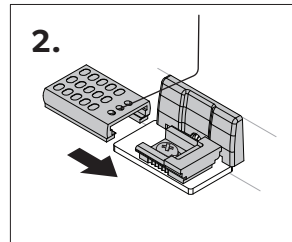
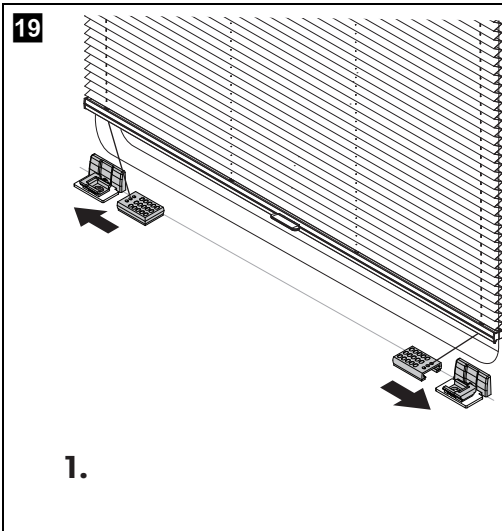
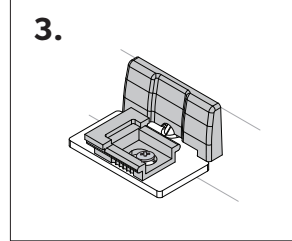
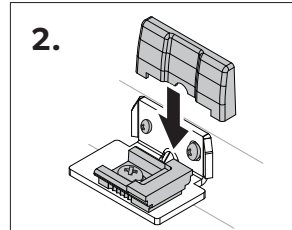
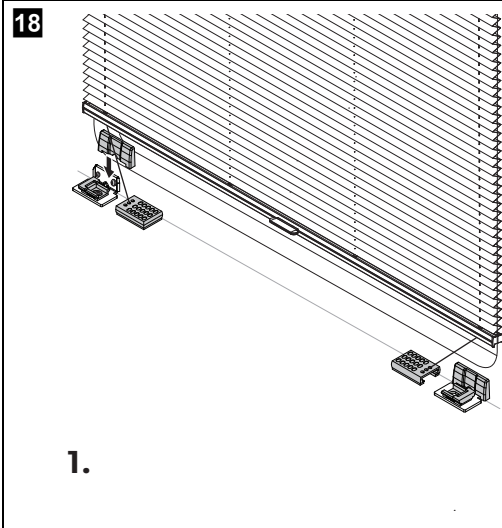


Uitsparing voetplaat bevestigd onder



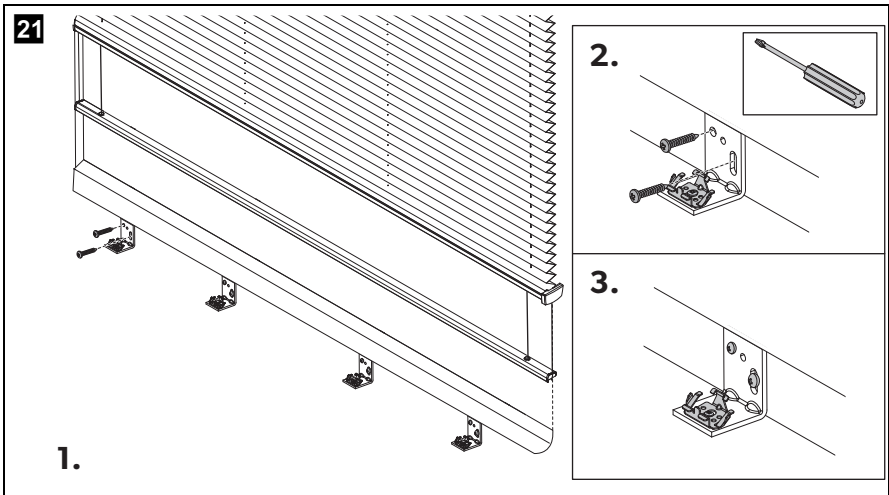
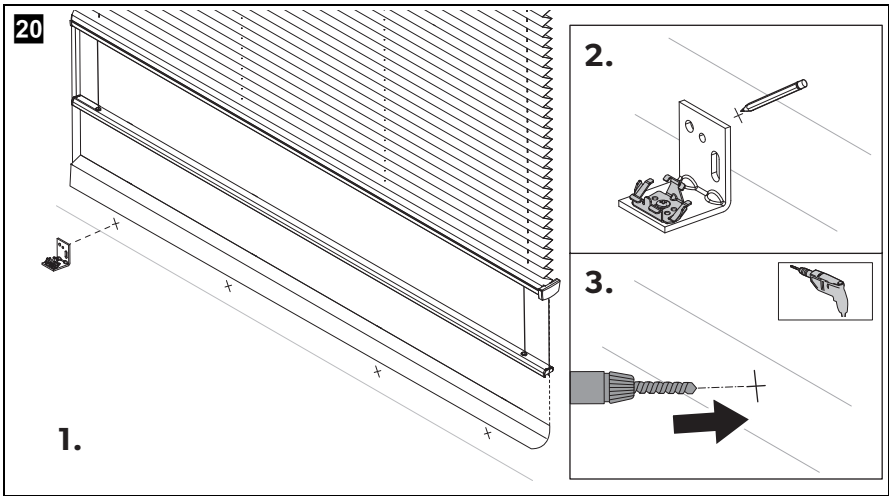
Voetplaat wandbevestiging

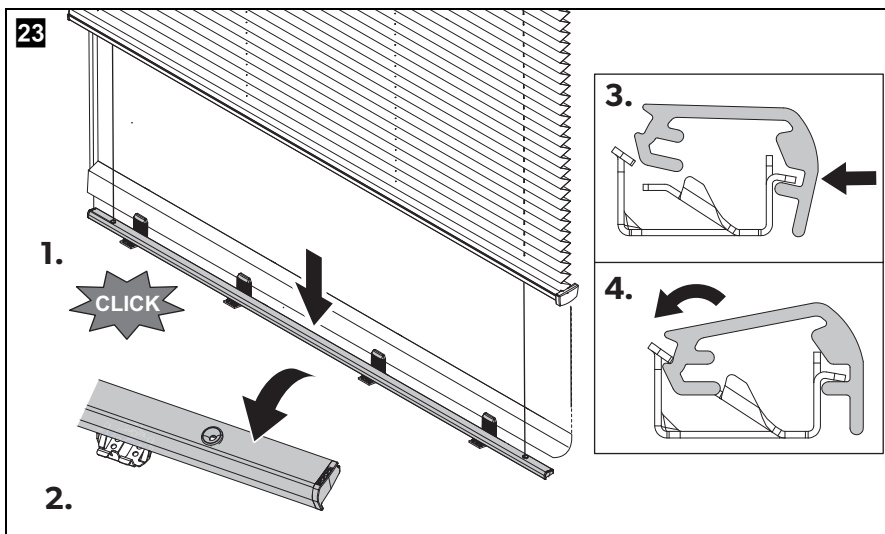
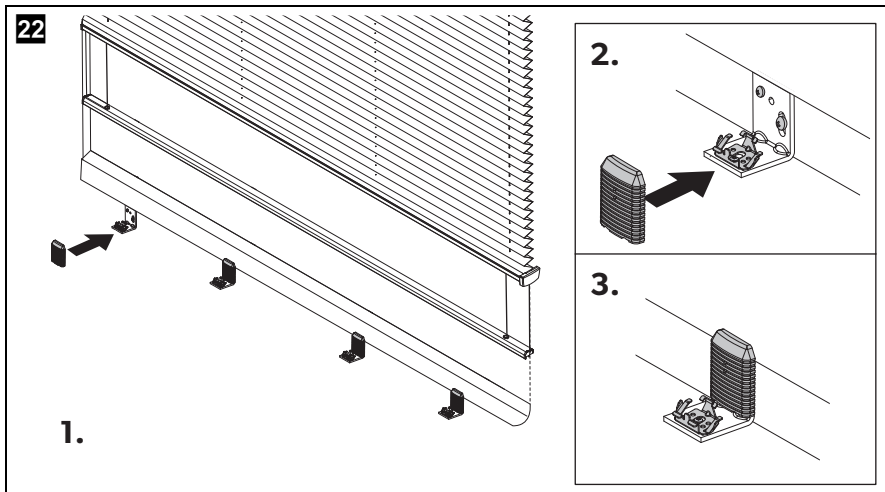


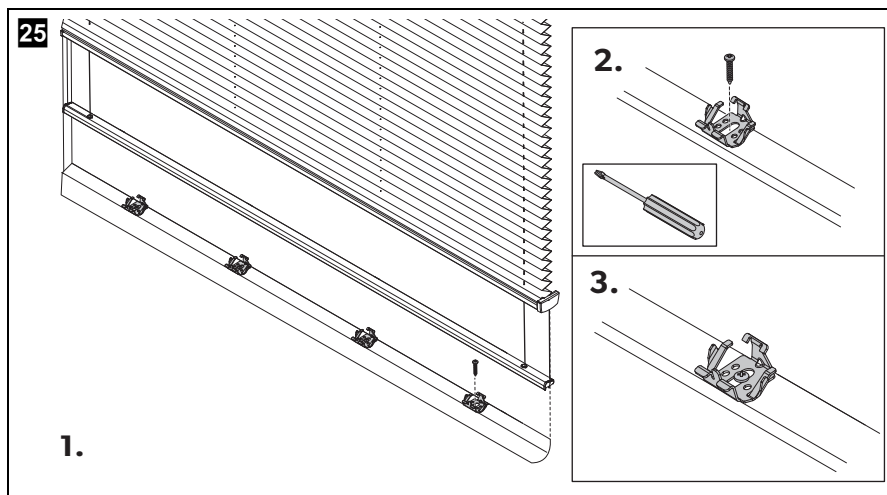
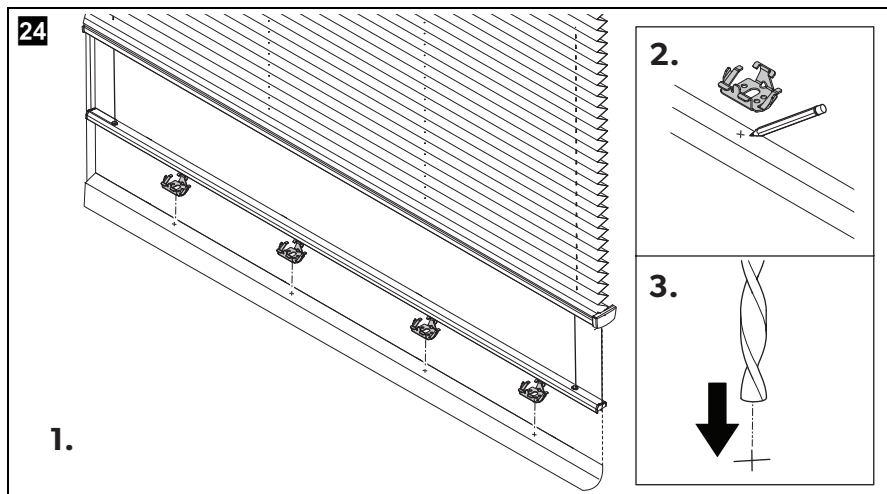


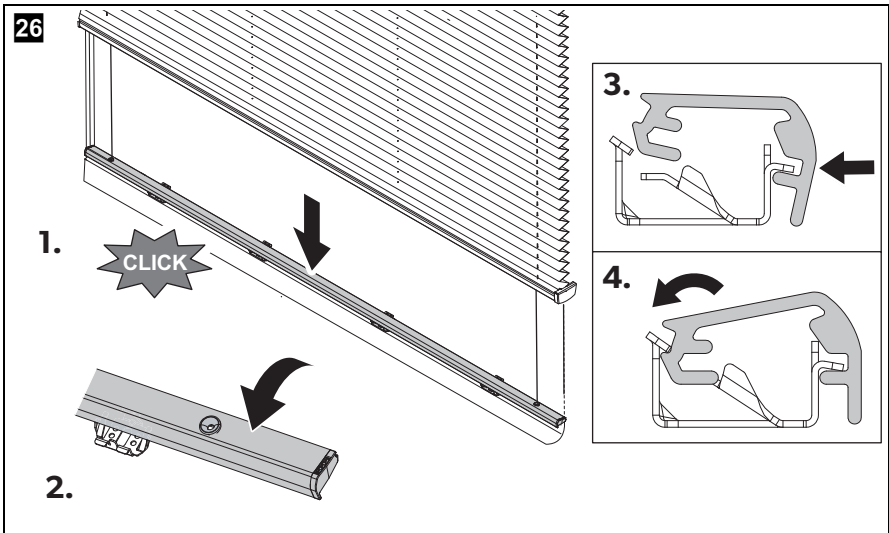
7.3 Onderste stang bevestigen

Onderste stang wandbevestiging

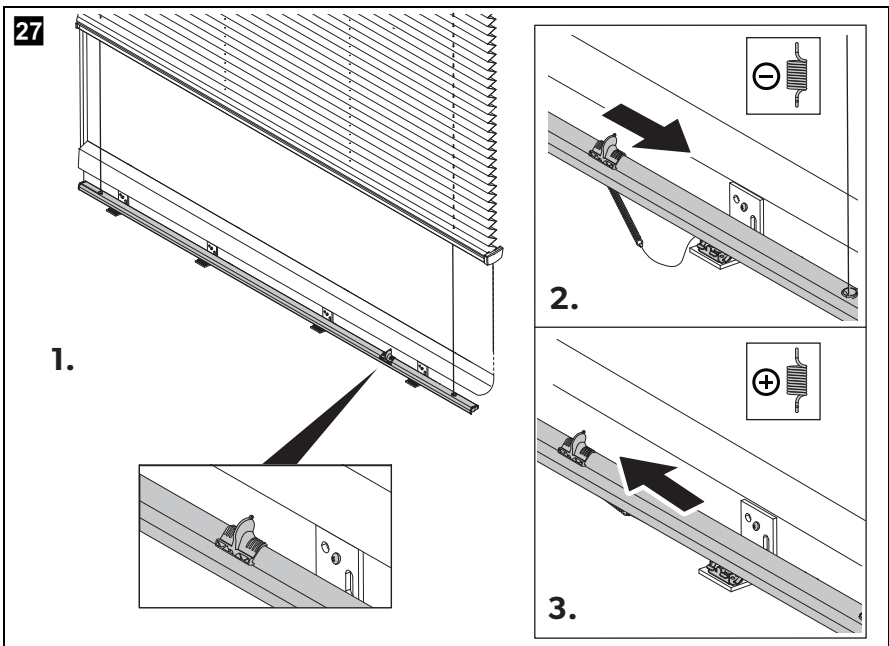




Onderste stang verzonken bevestiging



7.4 De snoeren spannen (alleen met optionele snelspanner)



7.5 De rolgordijnen aansluiten (alleen voor elektrische rolgordijnen)

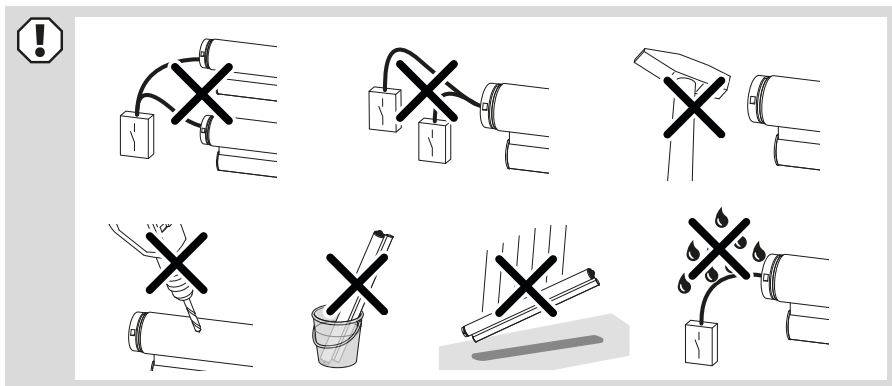


De elektrische aansluiting moet worden uitgevoerd door een bevoegde elektricien met aantoonbare kennis en vaardigheden op het gebied van de constructie en werking van elektrische apparaten en installaties, die is opgeleid om de gevaren die elektrische apparaten en installaties met zich meebrengen veilig te herkennen en te voorkomen.

De elektrisch bediende rolgordijnen zijn beschikbaar voor aansluiting op een stroomvoorziening van 12/24 V $\overline{\text{---}}$. Het typeplaatje op de hoofdrail geeft belangrijke informatie over de specificaties van de motor van het rolgordijn.

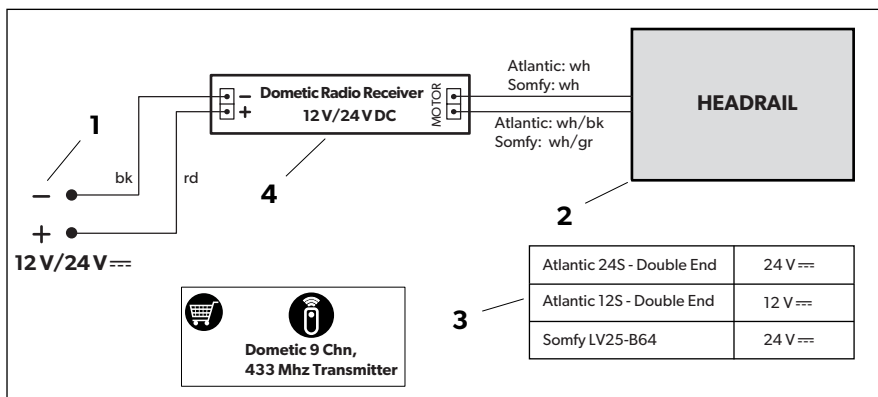
De volgende opmerkingen moeten in acht worden genomen bij het aansluiten van de rolgordijnen:

- Voorkom beschadiging van kabels tijdens installatie. De montage van de kabels door wanden of schotten moet worden beveiligd en geïsoleerd met geschikte bussen, doorvoertules of kabelgeleidingen.
- Zorg ervoor dat een 12 V of 24 V gestabiliseerde voedingsleiding voor de aandrijving op het installatiepunt beschikbaar is. De voedingsleiding is correct gemonteerd en beveiligd.
- Het product moet worden aangesloten op de correcte stroomvoorziening, zoals aangegeven op het productetiket. De motor in het product is zodanig ontworpen dat deze wordt uitgeschakeld wanneer een ingestelde stroom wordt overschreden, maar de stroomvoorziening moet worden gezekerd om de bedrading naar het product te beschermen.
- Beveilig alle kabels om contact met bewegende delen te voorkomen.
- Gebruik alleen voedingseenheden en bedieningselementen die door de fabrikant worden aanbevolen om schade of storingen tijdens het gebruik door incompatibele elektrische componenten te voorkomen.
- Regelingen (bijvoorbeeld schakelaars) moeten op zichtbare plaatsen worden geïnstalleerd.
- Er is één gereguleerde voeding van de vereiste specificatie per motor vereist, omdat de motor anders eventueel niet juist werkt.
- Instellen van de ingestelde stopposities mag alleen worden uitgevoerd met de gespecificeerde methode voor het motortype, om schade aan de motor te voorkomen.

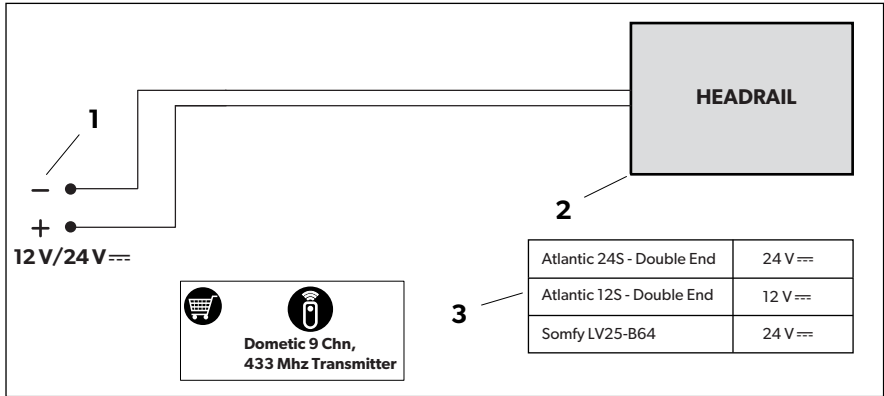


► Sluit de motor aan zoals weergegeven in de bedradingschema's.

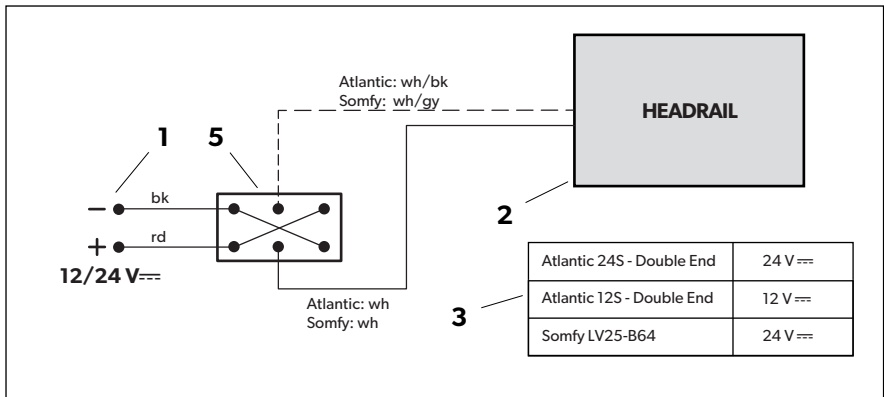
Dometic draadloos rolgordijn externe ontvanger



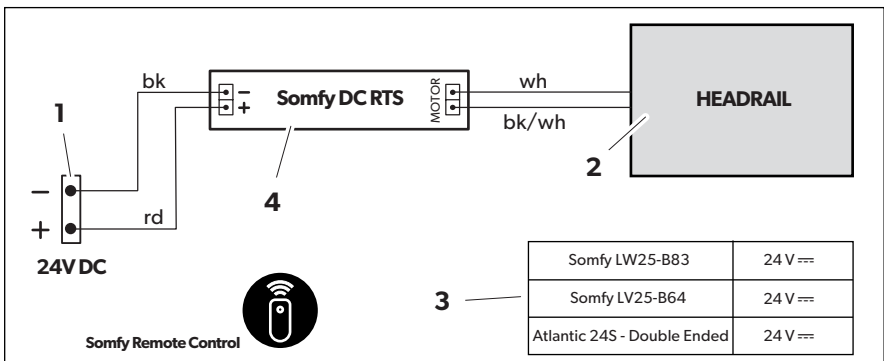
Dometic draadloos rolgordijn interne ontvanger

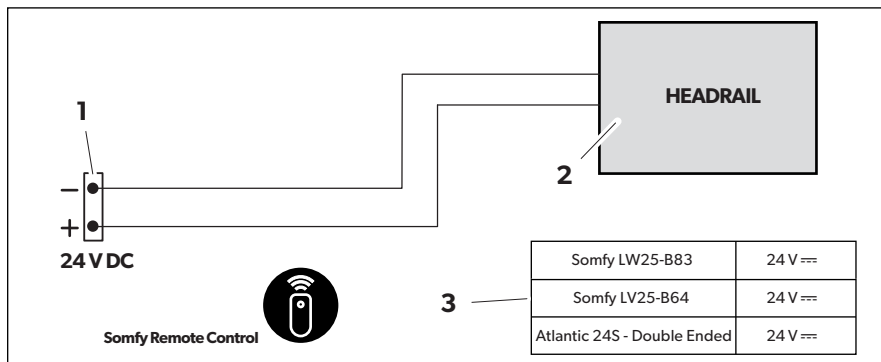


Handmatig geschakeld verduisteringsgordijn



Somfy RTS bestuurd rolgordijn externe ontvanger



Somfy RTS bestuurd verduisteringsgordijn interne ontvanger**Legenda voor bedradingschema's**

Nr.	Beschrijving
1	Stroomvoorziening
2	Hoofdrail
3	Hoofdrail motoropties
4	Externe ontvanger
5	DPDT schakelaar van de klant (dubbelpolig, tweeweg), midden uit, vergrendel- of pulsdrukschakeling, 12/24 V---, 3 A
bk	Zwart
rd	Rood
gy	Grijs
wh	Wit

**INSTRUCTIE**

- Accessoires zijn verkrijgbaar via het aparte bestelformulier.
- Neem de toepasselijke documenten voor de besturing en bedieningselementen in acht.

8 Gebruik



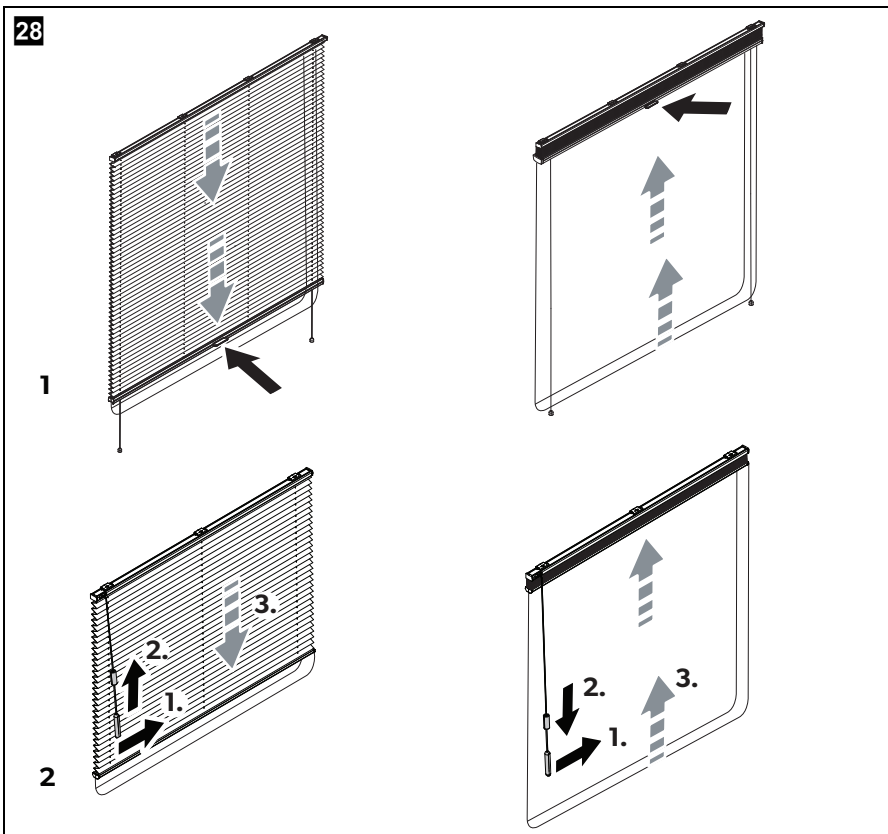
VOORZICHTIG! Gevaar voor letsel

Alleen voor boten en jachten: Als het rolgordijn voor een open venster hangt, moet het rolgordijn worden ingerold bij snelheden hoger dan 10 knopen of bij een zeetoestand die meer dan matig is, omdat het rolgordijn anders beschadigd kan raken. Losrakende delen kunnen personen in de omgeving verwonden.

8.1 Handmatige rolgordijnen bedienen

Het rolgordijn kan met de hendel in elke stand worden gezet.

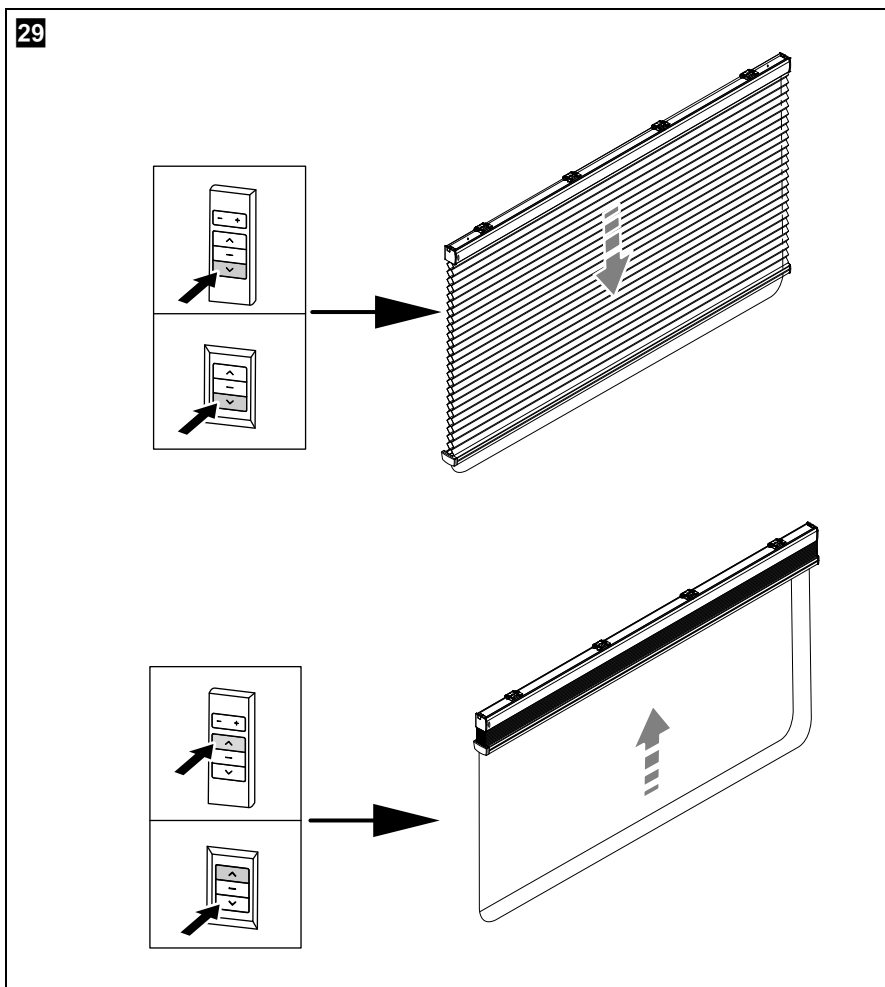
- Ga te werk zoals afgebeeld om het handbediende rolgordijn te bedienen.



8.2 Elektrische rolgordijnen bedienen

Neem de volgende opmerkingen in acht:

- Elk rolgordijn kan in elke positie worden gestopt.
 - Als het rolgordijn met een automatisch systeem wordt bediend, is de werking afhankelijk van de programmering van de regelingen.
 - Het gordijn is af fabriek ingesteld om automatisch te stoppen:
 - Als het rolgordijn volledig is uitgerold
 - Als het rolgordijn volledig is ingerold
- Ga te werk zoals afgebeeld om het elektrische rolgordijn te bedienen.



**INSTRUCTIE**

De motoren hebben uit veiligheidsredenen een ingebouwde, zelfteruggzettende thermische uitschakeling. Langdurig gebruik of overbelasting van het rolgordijn kan de uitschakeling activeren. Als dit gebeurt, laat de motor dan een half uur afkoelen.

9 Reiniging en onderhoud

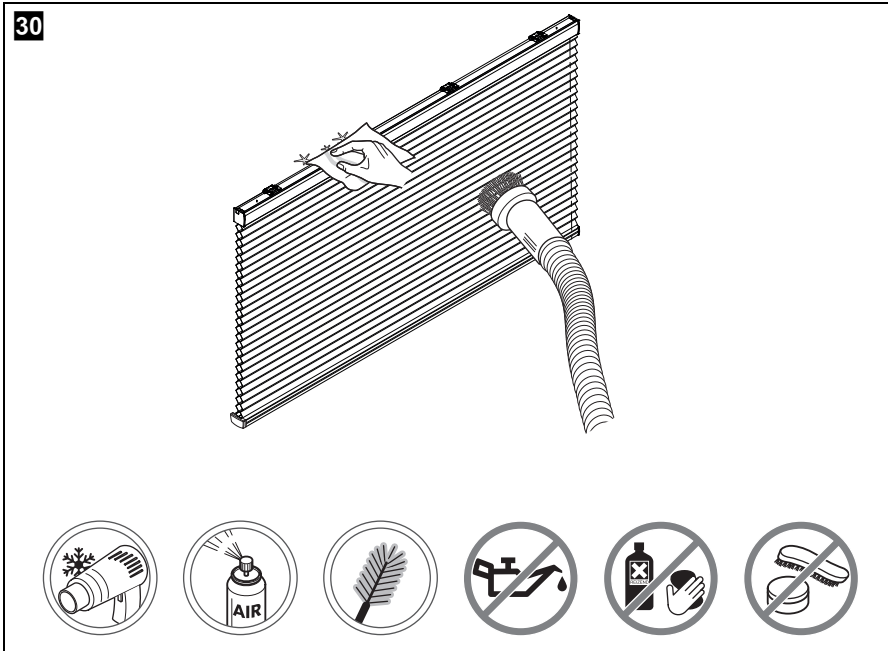
**WAARSCHUWING! Gevaar voor letsel**

Elektrische rolgordijnen: Tref voor rolgordijnen die kunnen worden bediend vanuit een positie zonder zicht op het rolgordijn geschikte organisatorische maatregelen om te voorkomen dat het rolgordijn begint te werken als er onderhoud, zoals het reinigen van ramen of wanden, in de buurt wordt uitgevoerd.

**LET OP! Gevaar voor schade**

- Behandel het rolgordijn niet met vet, olie of smeermiddel. Smeermiddelen beschadigen de stof.
- Wrijven kan de stof beschadigen.
- Plaatselijk reinigen van vlekken kan ertoe leiden dat deze delen schoner worden dan de stof eromheen.
- Laat de rolgordijnen niet nat worden.
- De fabrikant adviseert om reinigingsmiddelen eerst te testen op een onopvallende plek van het rolgordijn.

► Ga als volgt te werk om het rolgordijn te reinigen.



10 Problemen oplossen

Fout

Oplossing

Spanning te laag

► Zie hoofdstuk „Montage“ op pagina 180.

Gespannen rolgordijn werkt niet soepel

► Controleer de bevestigingen en afmetingen van de uitsparingen.

Elektrische rolgordijnen:

Gordijn stopt in verkeerde positie

► Raadpleeg de handleiding van uw bedieningsapparaat.

Fout	Oplossing
Verschillende gordijnen bewegen met verschillende snelheden	<ul style="list-style-type: none"> ▶ Raadpleeg de handleiding van uw bedieningsapparaat.
Elektrisch verduisteringsgordijn werkt niet	<ul style="list-style-type: none"> ▶ Langdurig of herhaaldelijk gebruik kan de ingebouwde, thermische uitschakeling activeren. Laat de motor 20 minuten afkoelen en probeer het opnieuw. ▶ Controleer de stroomvoorziening van het rolgordijn. ▶ Controleer of de bedrading voor spanning naar de motor correct is. ▶ Als de stroomvoorziening is gecontroleerd en de motor nog in storing is, neem dan contact op met Dometic.

11 Garantie

Raadpleeg de onderstaande paragrafen voor informatie over garantie en garantieondersteuning.

11.1 Australië en Nieuw-Zeeland

Als het product niet naar behoren werkt, neem dan contact op met de detailhandel of met het filiaal van de fabrikant in uw land (zie dometic.com/dealer). De garantie van toepassing op uw product bedraagt 1 jaar.

Stuur voor de afhandeling van reparaties of garantie volgende documenten mee:

- Een kopie van de factuur met datum van aankoop
- De reden voor de claim of een beschrijving van de fout

Alleen Australië

Onze producten worden geleverd met garanties die niet kunnen worden uitgesloten onder de Australische Consumentenwet. U hebt recht op een vervanging of vergoeding voor ernstig falen en op compensatie voor elk ander redelijkerwijs te voorzien verlies of schade. U hebt bovendien recht op reparatie of vervanging van de producten indien de producten niet van acceptabele kwaliteit zijn en de fout niet gelijk staat aan ernstig falen.

Alleen Nieuw-Zeeland

Dit garantiebeleid is onderhevig aan de voorwaarden en garanties die verplicht zijn zoals geïmplementeerd door de Wet op Consumentengaranties 1993(NZ).

Lokale ondersteuning

Lokale ondersteuning vindt u op: dometic.com/dealer

11.2 Verenigde Staten en Canada

BEPERKTE GARANTIE BESCHIKBAAR OP
DOMETIC.COM/WARRANTY.

MOCHT U VRAGEN HEBBEN OF EEN GRATIS KOPIE VAN DE BEPERKTE GARANTIE WILLEN VERKRIJGEN, NEEM DAN CONTACT OP MET:

DOMETIC CORPORATION
CUSTOMER SUPPORT CENTER
2320 INDUSTRIAL PARKWAY
ELKHART, INDIANA 46516
1-800-544-4881
customersupportcenter@dometic.com

11.3 Alle andere regio's

De wettelijke garantieperiode is van toepassing. Als het product defect is, neem dan contact op met het filiaal van de fabrikant in uw regio (dometic.com/dealer) of met de detailhandel.

Stuur voor de afhandeling van reparaties of garantie volgende documenten mee:

- Een kopie van de factuur met datum van aankoop
- De reden voor de claim of een beschrijving van de fout

Houd er rekening mee dat eigenmachtige of niet-professionele reparatie gevolgen voor de veiligheid kan hebben en dat de garantie hierdoor kan komen te vervallen.

12 Afvalverwijdering

12.1 Australië en Nieuw-Zeeland



- ▶ Gooi het verpakkingsmateriaal indien mogelijk altijd in recyclingafvalbakken.
- ▶ Vraag het dichtstbijzijnde recyclingcentrum of uw dealer naar informatie over hoe het product kan worden weggegooid in overeenstemming met alle van toepassing zijnde nationale en lokale regelgeving.

12.2 Alle andere regio's



- ▶ Gooi het verpakkingsmateriaal indien mogelijk altijd in recyclingafvalbakken.
- ▶ Vraag het dichtstbijzijnde recyclingcentrum of uw dealer naar informatie over hoe het product kan worden weggegooid in overeenstemming met alle van toepassing zijnde nationale en lokale regelgeving.
- ▶ Het product kan gratis worden afgevoerd.

Læs og følg alle disse anvisninger, retningslinjer og advarsler i denne produktvejledning grundigt for at sikre, at du altid installerer, bruger og vedligeholder produktet korrekt. Disse anvisninger SKAL opbevares sammen med dette produkt.

Ved at benytte produktet bekræfter du hermed, at du har læst alle anvisninger, retningslinjer og advarsler grundigt, og at du forstår og er indforstået med de vilkår og betingelser, der er fastlagt heri. Du er indforstået med kun at bruge dette produkt til det beregnede formål og anvendelse i overensstemmelse med anvisningerne, retningslinjerne og advarslerne i denne produktvejledning samt i overensstemmelse med alle de gældende love og forskrifter. Manglende læsning og ignorering af disse anvisninger og advarsler kan medføre kvæstelser på dig selv og andre, skade på dit produkt eller skade på anden ejendom i nærheden. Der tages forbehold for eventuelle ændringer og opdateringer af denne produktvejledning samt anvisningerne, retningslinjerne og advarslerne samt den tilhørende dokumentation. Se documents.dometic.com for de nyeste produktinformationer.

Indholdsfortegnelse

1	Forklaring af symboler	207
2	Sikkerhedshenvisninger	208
3	Leveringsomfang	211
4	Tilbehør	213
5	Korrekt brug	213
6	Teknisk beskrivelse	214
7	Installation	214
8	Betjening	234
9	Rengøring og vedligeholdelse	236
10	Udbedring af fejl	237
11	Garanti	238
12	Bortskaffelse	240

1 Forklaring af symboler



ADVARSEL!

Sikkerhedshenvisning: Angiver en farlig situation, som kan medføre dødsfald eller alvorlig kvæstelse, såfremt den ikke undgås.



FORSIGTIG!

Sikkerhedshenvisning: Angiver en farlig situation, som kan medføre mindre eller lette kvæstelser, såfremt den ikke undgås.

**VIGTIGT!**

Angiver en situation, som kan medføre materielle skader, såfremt den ikke undgås.

**BEMÆRK**

Supplerende oplysninger om betjening af produktet.

2 Sikkerhedshenvisninger



ADVARSEL! Manglende overholdelse af disse advarsler kan medføre dødelige eller alvorlige kvæstelser.

Fare for elektrisk stød (kun elektriske rullegardiner)

- Hvis apparatet har synlige beskadigelser, må apparatet ikke tages i brug.
- Hvis dette apparats tilslutningskabel beskadiges, skal det udskiftes af producenten, dennes kundeservice eller en lignende kvalificeret eller kompetent person for at undgå farer.
- Ved ukorrekte reparationer kan der opstå alvorlige farer.
- Afbryd rullegardinet fra strømforsyningen, før du foretager nogen form for vedligeholdelse.

Sundhedsfare

- Vigtige sikkerhedshenvisninger. Af sikkerhedsmæssige årsager er det vigtigt at følge disse henvisninger. Gem disse henvisninger.
- Dette apparat kan anvendes af børn over 8 år og personer med reducerede fysiske, sanse- eller mentale evner eller uden erfaring eller viden, hvis de er under opsyn eller blev instrueret i sikker brug af apparatet og forstår de involverede farer.
- Børn må ikke lege med apparatet.
- Rengøring og vedligeholdelse må ikke udføres af børn uden opsyn.
- Rullegardiner skal opbevares, før der køres, så det sikres, at førerens udsyn ikke indskrænkes.

- **Kun ved elektriske rullegardiner:**

- Du må ikke montere elektriske rullegardiner på flugtluger.
- Ændring af designet eller konfiguration af udstyret uden udtrykkelig godkendelse fra producenten kan medføre en farlig situation.
- Lad ikke børn lege med betjeningsenheden til det indvendige rullegardin. Hold fjernbetjeningen væk fra børn.
- Kontrollér installationen regelmæssigt for tegn på slid eller skader på kablerne. Må ikke bruges, hvis der skal foretages en reparation.
- Må ikke bruges, når der udføres vedligeholdelse som f.eks. vinduespuddnings i nærheden.

Fare for kvælning



- Små børn kan blive kvælt af løkker i træksnøre, kæder, bånd og indvendige snore, der driver produktet.
- Hold snore uden for små børns rækkevidde for at undgå kvælning og indfiltrering. Snore kan komme omkring børns hals.
- Flyt senge, madrasser og møbler væk fra snore ved vinduer.
- Bind ikke snorene sammen. Sørg for, at snorene ikke snor sig og danner en løkke.

Fare for kvælning

- Dette apparat indeholder små dele. Det skal holdes væk fra børn under 3 år.
- Emballagen indeholder plastikposer. Hold dem væk fra børn under 3 år.



FORSIGTIG! Manglende overholdelse af disse forsigtighedshenvisninger kan medføre mindre eller moderate kvæstelser.

Fare for kvæstelser

- Apparatet må kun installeres, fjernes eller repareres af en kvalificeret eller kompetent person med egnet fastgørelsesmateriale.
- Vær forsigtig, når rullegardinet installeres, og bær passende personlige værnemidler.
- **Kun for både og yachter:** Hvis rullegardinet er foran et åbent vindue, skal rullegardinet rulles op, når der sejles mere end 10 knob eller i havtilstand, der er mere end moderat, fordi det kan beskadige rullegardinet. Dele, som løsner sig, kan kvæste personer i nærheden.



VIGTIGT!

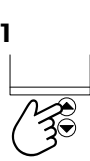
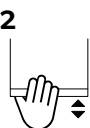
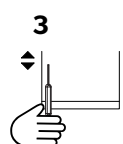
Fare for beskadigelse





- Rullegardinet bør rulles helt op, når båden eller køretøjet sejler/kører.



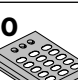
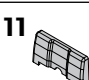
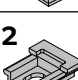
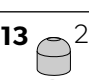
- Brug skruer og rawlplugs, der er egnet til væggenes konstruktion, for at fastgøre rullegardinet.
- Sørg for, at du ikke borer igennem væggen.
- Sørg for, at du har rene hænder eller bærer egnede handsker for at undgå at lave mærker på stoffet.
- **Kun ved elektriske rullegardiner:**
 - Kontrollér, at spændingsangivelsen på kabelmærket stemmer overens med strømforsyningen.
 - Anvend kun kabler med passende tværsnit.

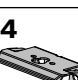
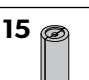
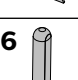
3 Leveringsomfang



1

4 	5 
6 	7 

8 	9 
10 	11 
12 	13 2x 

14 	15 
16 	

17 	18 
--	--

Position på fig. 1	Antal	Beskrivelse
1 – 3	1	Rullegardinenehed Designet afhænger af modellen, f.eks. elektrisk eller manuel, frithængende eller i spænd, version med 2 lister eller version med 3 lister
4	afhængigt af rullegardinets størrelse	Hovedskinnebeslag til elektrisk rullegardin
5	afhængigt af rullegardinets størrelse	L-beslagafdækning (valgfrit til flademontage)
6	afhængigt af rullegardinets størrelse	Beslagsæt til version med 3 lister (valgfrit til flademontage)
7	afhængigt af rullegardinets størrelse	Beslagsæt til version med 3 lister (valgfrit til montage i fordybning)
8, 14	afhængigt af rullegardinets størrelse	Hovedskinnebeslag til manuelle rullegardiner
9	afhængigt af rullegardinets størrelse	Fodpladebund
10	2	Fodplade (valgfrit til montage på flade eller i fordybning, kun til version med 2 lister)
11	afhængigt af rullegardinets størrelse	L-beslagafdækning
12	afhængigt af rullegardinets størrelse og vinklen	Fodpladebund (valgfrit til montage i fordybning, kun til version med 2 lister)
13	1	Sæt med nedhold til kuppel (valgfrit til version med 2 lister, monteret på det leverede rullegardin)
15	1	Stav/topmøtrik
16	1	Holder til oplåsningshåndtag
17 – 18	option	Afstandsstykker til nivellering af rullegardinet (option)

4 Tilbehør

Der købes tilbehør ved at benytte den separate bestillingsformular. Du kan finde dit autoriserede kundeservicecenter på dometic.com.

5 Korrekt brug

Rullegardinet er egnet til:

- Montering ombord på yachter og både
- Montering i campingvogne og autocampere

Rullegardinernes design og størrelse er tilpassede. Rullegardinernes stof skæres til, så det passer til kundens specifikationer.

Rullegardinerne er udelukkende konstrueret til at blive anvendt indendørs, og de bør ikke anvendes i badeværelser, vådrum eller andre steder med høj luftfugtighed.

Dette produkt er kun egnet til dets beregnede formål og anvendelse i overensstemmelse med disse anvisninger.

Denne vejledning giver dig oplysninger om, hvad der er nødvendigt med henblik på en korrekt montering og/eller drift af produktet. Dårlig montering og/eller ukorrekt drift eller vedligeholdelse medfører utilstrækkelig ydeevne og mulige fejl.

Producenten påtager sig intet ansvar for kvæstelser eller skader i forbindelse med produktet, der skyldes:

- ukorrekt samling eller forbindelse inklusive for høj spænding
- ukorrekt vedligeholdelse eller brug af uoriginale reservedele, der ikke stammer fra producenten
- ændringer på produktet uden udtrykkelig tilladelse fra producenten
- brug til andre formål end dem, der er beskrevet i vejledningen.

Dometic forbeholder sig ret til at ændre produktets udseende og produktspecifikationer.

6 Teknisk beskrivelse

Rullegardinet fås med forskellige betjeningstyper:

- Manuel, i spænd
- Manuel, frithængende
- Elektrisk, i spænd
- Elektrisk, frithængende

Modeller i spænd kræver en montering af snorene på den modsatte side af hovedskinnen:

- Versionen med 3 lister holdes af beslag
- Nedholdningsmuligheder for at holde versionen med 2 lister nede



BEMÆRK

Efter leveringen skal du kontrollere rullegardinets type og leveringsomfanget vha. bestillingsbekræftelsen. Nummeret på produktmærkaten, der angiver rullegardintypen, findes på bagsiden af hovedskinnen. Par til højre/venstre side kan se ens ud.

7 Installation



FORSIGTIG! Fare for kvæstelser

Vigtige sikkerhedshenvisninger. Følg alle instruktioner, da forkert installation kan føre til alvorlig personskade.

7.1 Montering af hovedskinnen



ADVARSEL!

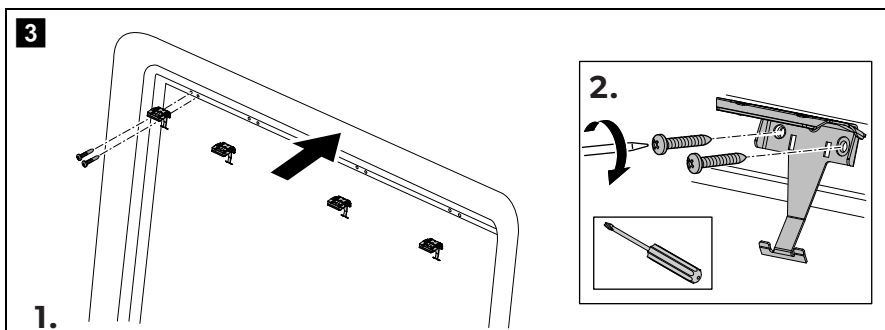
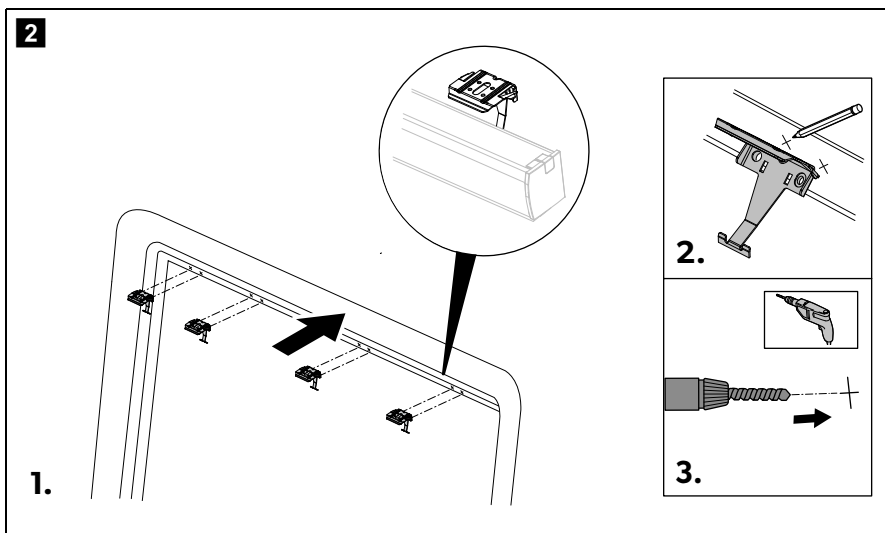
Elektriske rullegardiner: Afbryd strømforsyningen, før du begynder, og sørg for, at den ikke kan tilsluttes igen, før installationen er blevet afsluttet.

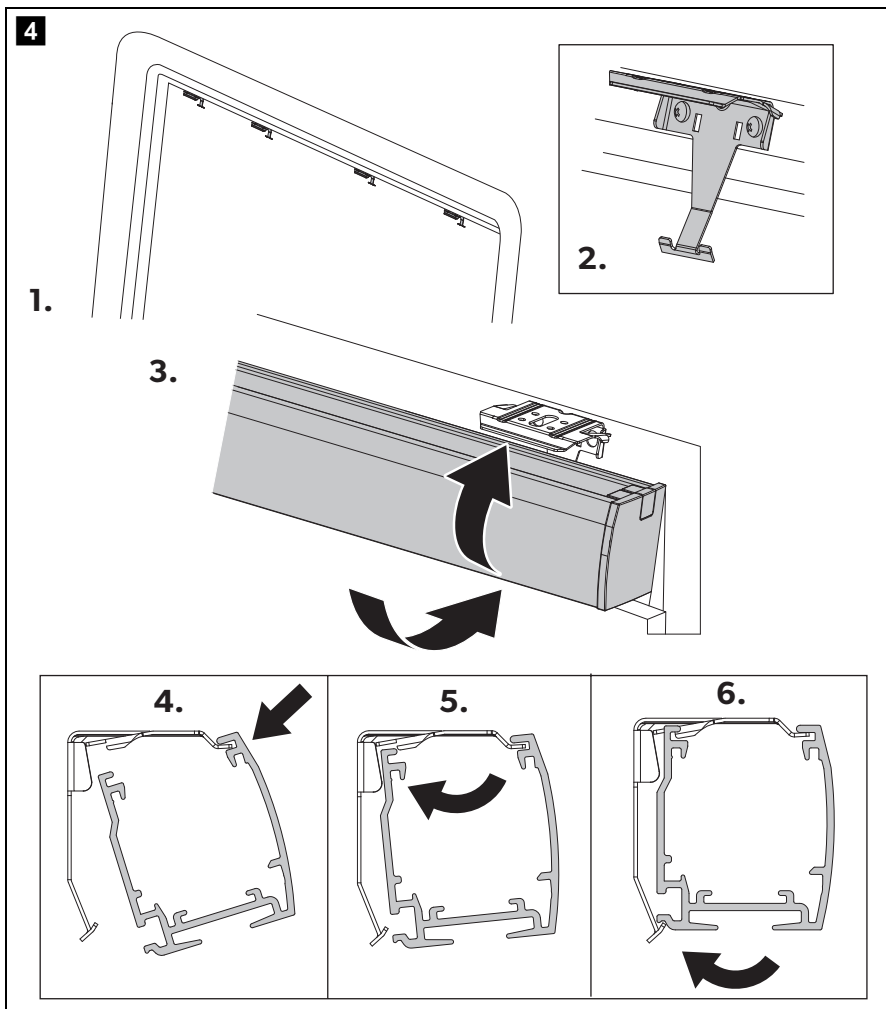
Solgardinet kan monteres på fladen på en frontvæg eller i en fordybning i væggen eller på loftet. Hovedskinnen kan monteres øverst eller nederst i vinduet. Der findes forskellige hovedskinner til elektriske rullegardiner og manuelle rullegardiner.

Afhængigt af pladsen på monteringsstedet kan monteringsforløbet for rullegardinets komponenter være forskelligt (f.eks. hvis bundlisten skal monteres først).

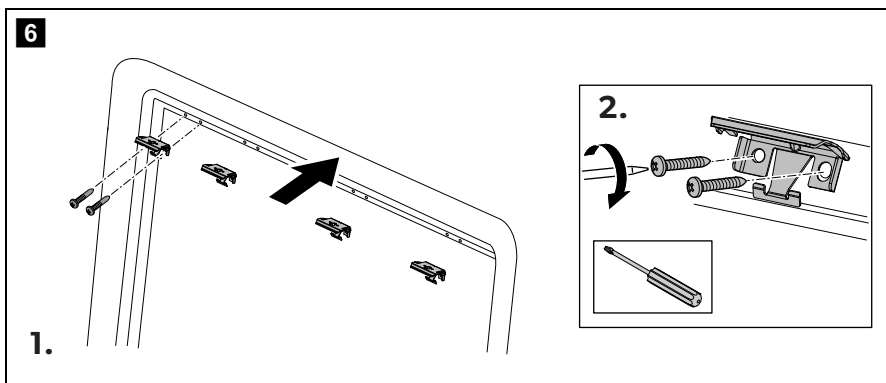
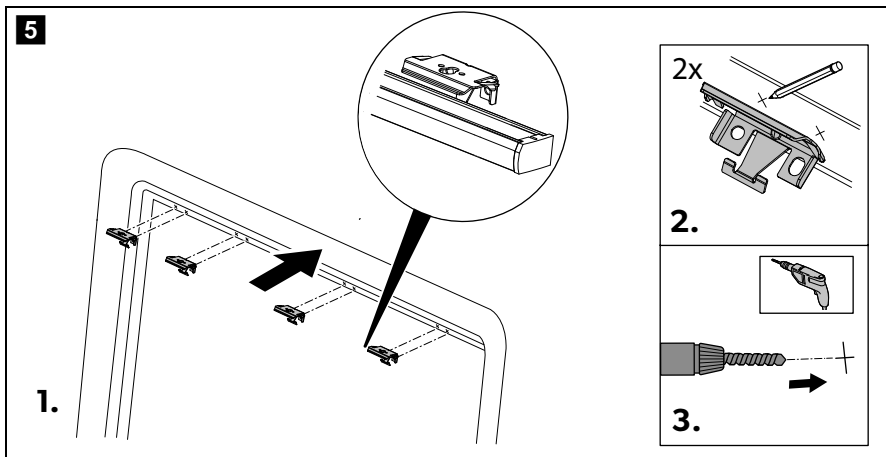
**BEMÆRK**

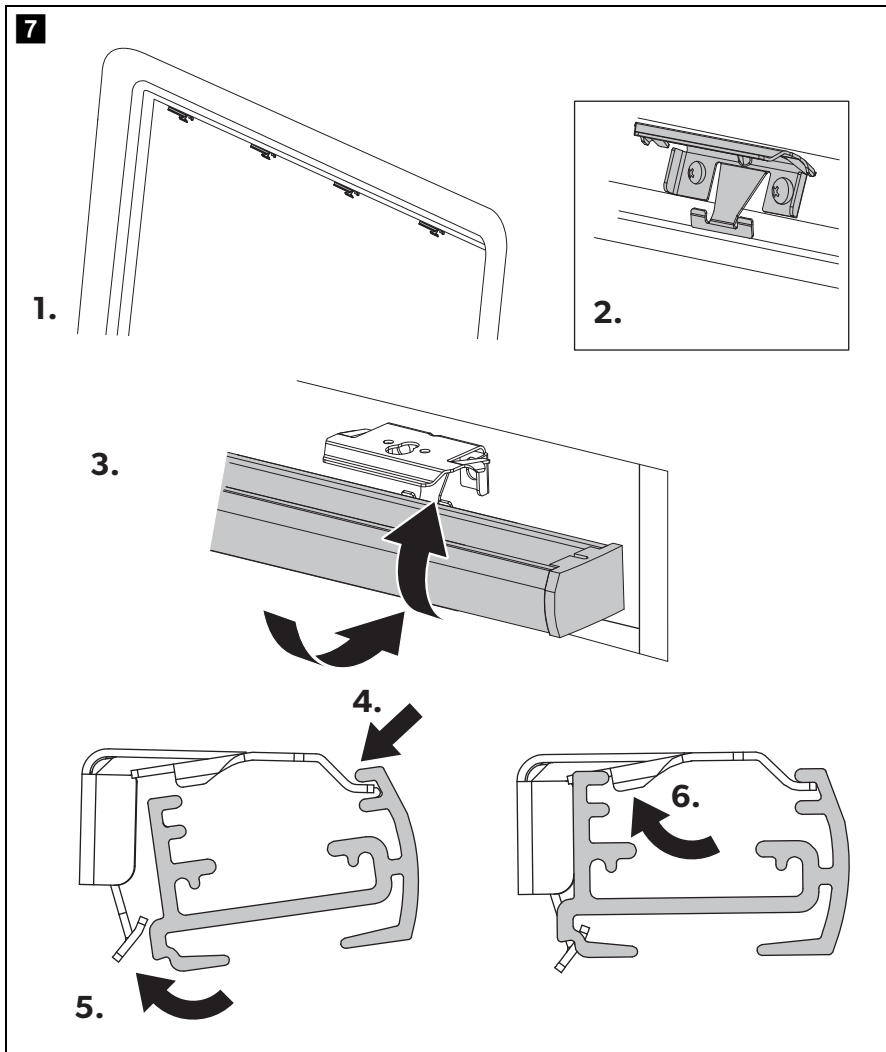
Sørg for, at der er plads nok bag beslagene, så der er adgang til oplåsningsklemmen.

Flademonteret elektrisk hovedskinne

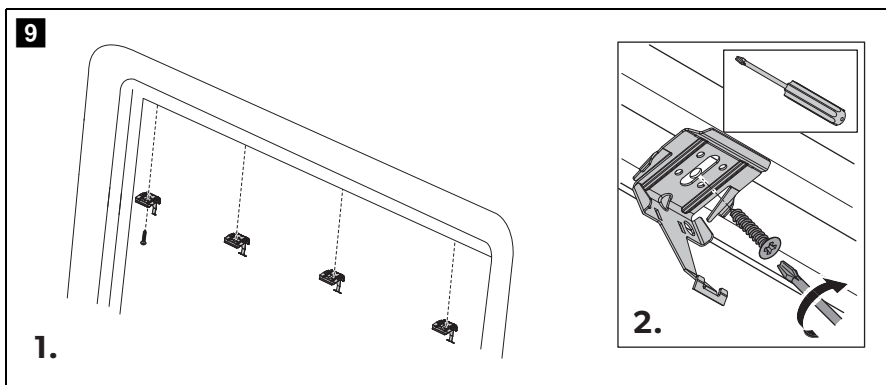
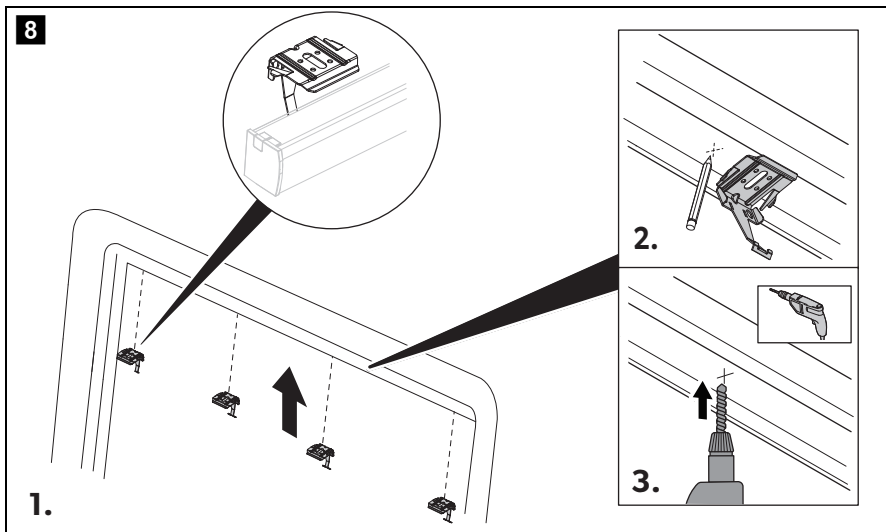


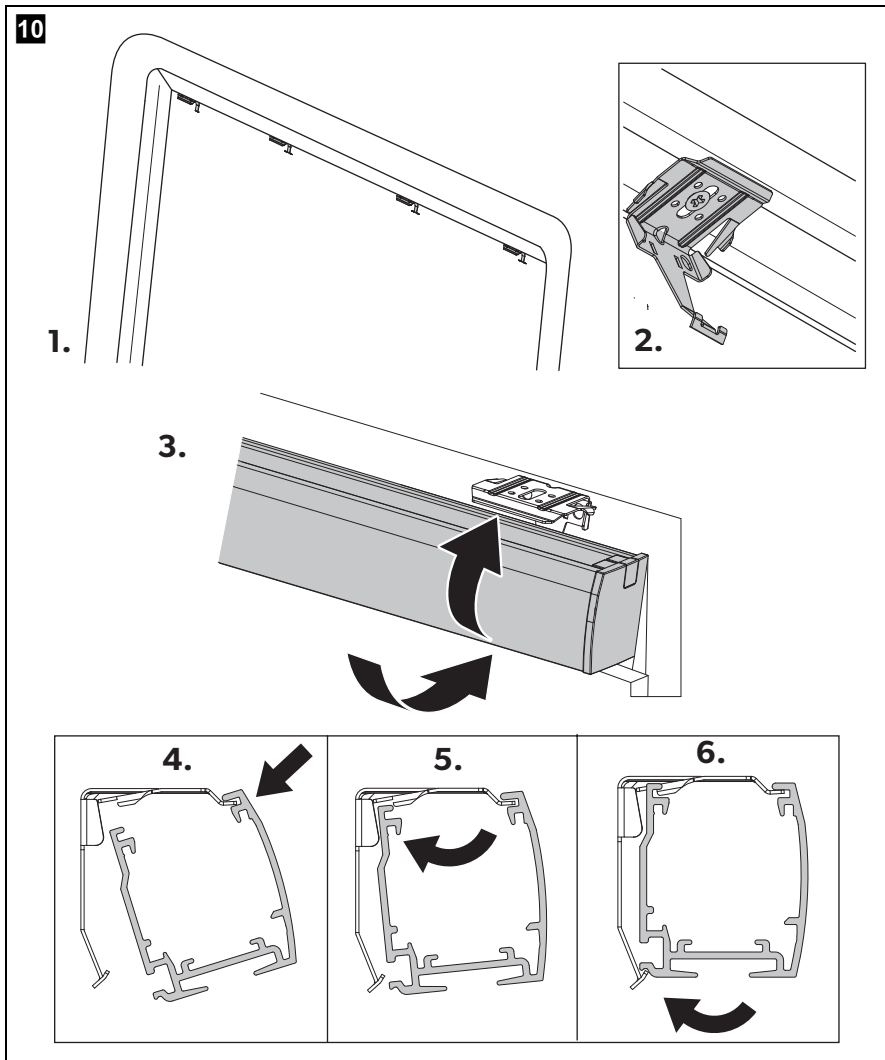
Flademonteret manuel hovedskinne



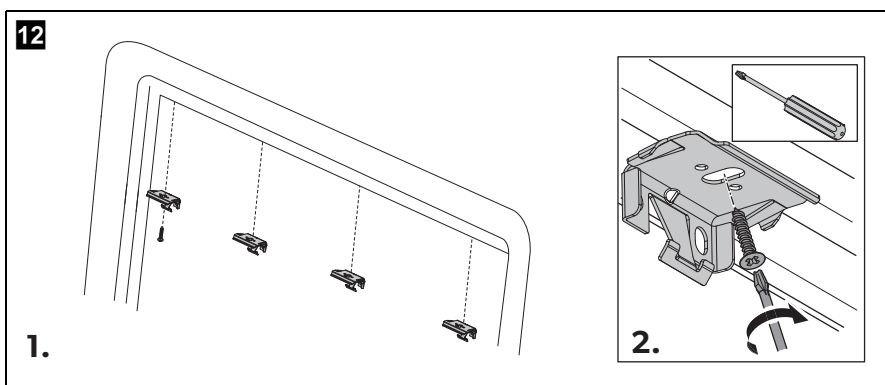
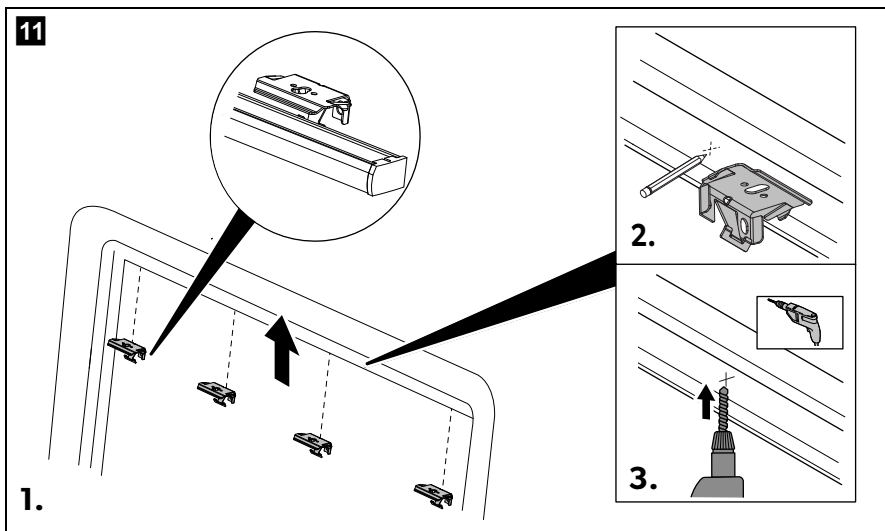


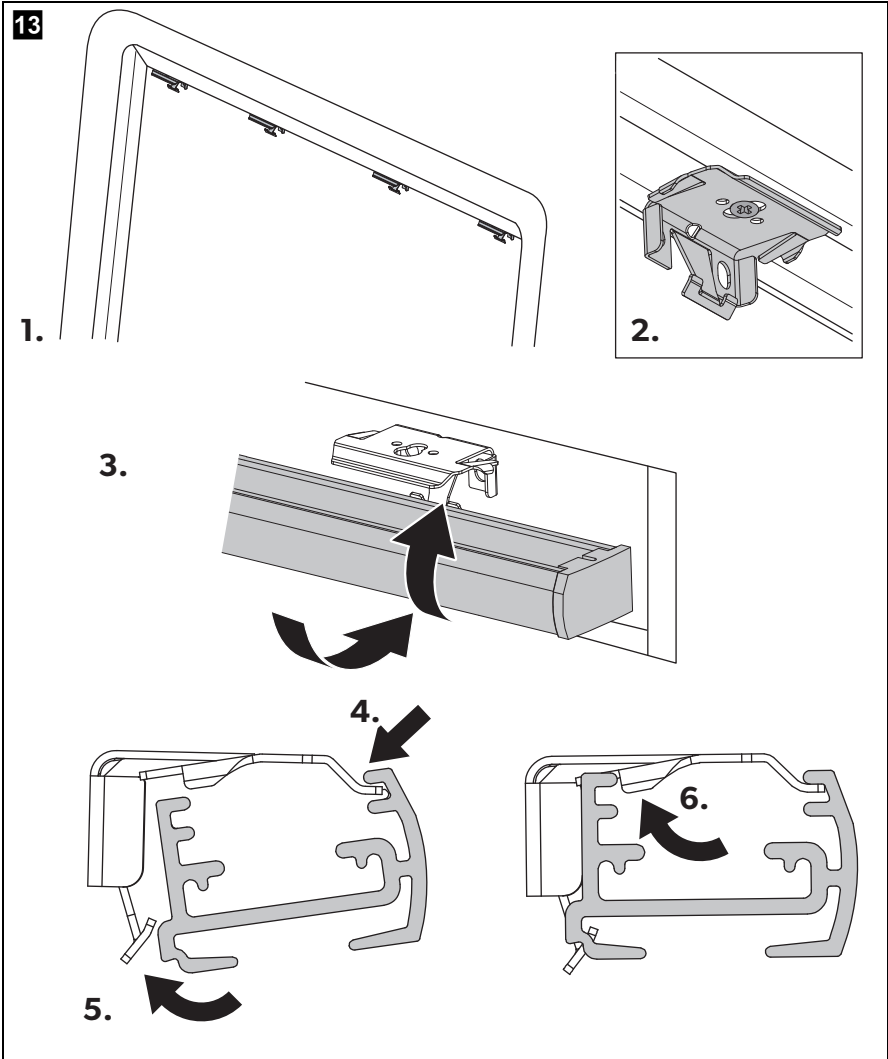
Fordybningsmonteret elektrisk hovedskinne





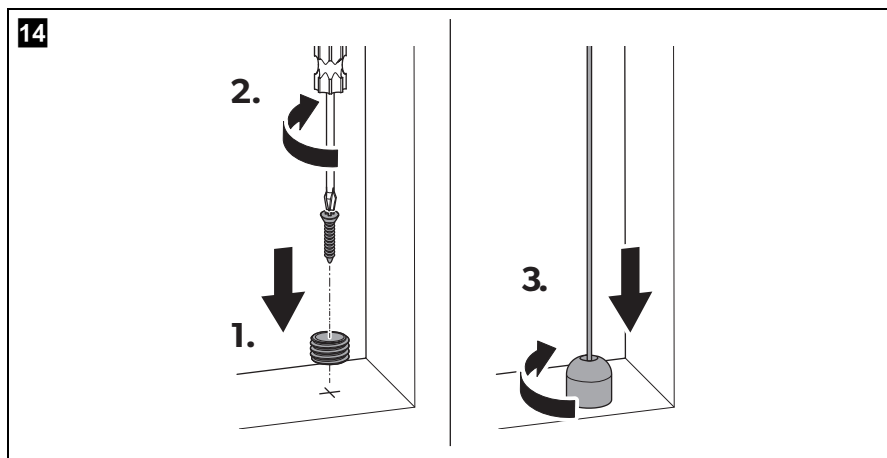
Fordybningsmonteret manuel hovedskinne



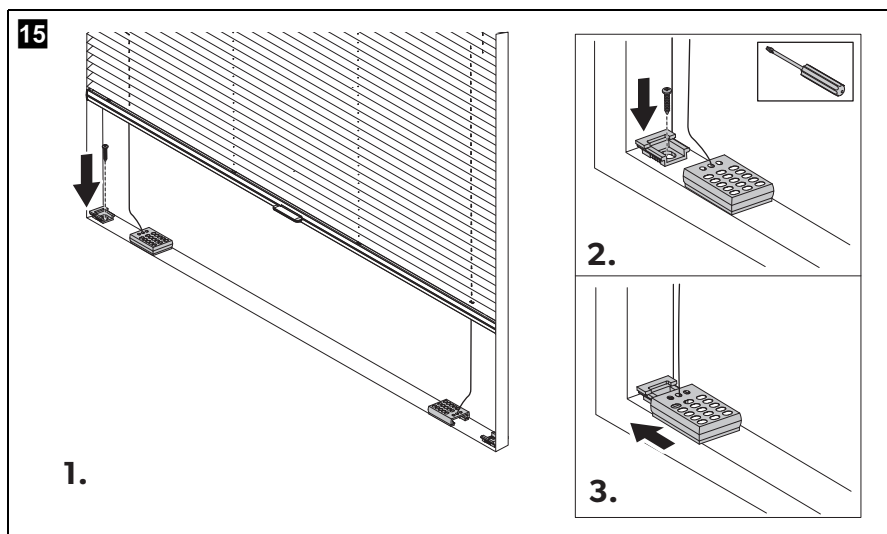


7.2 Montering af nedholdene

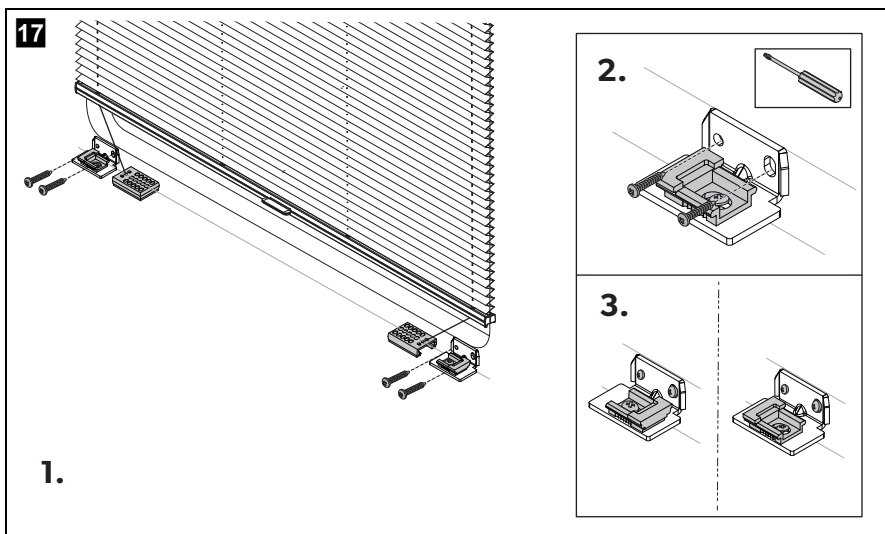
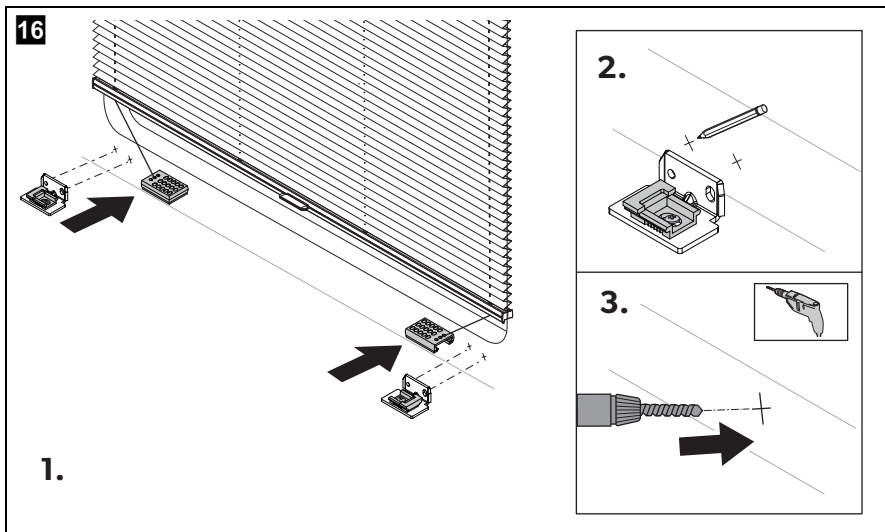
Fordybning for nedhold til kuppel

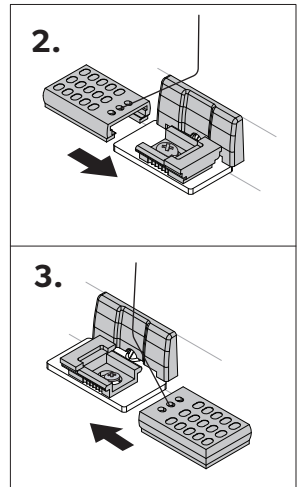
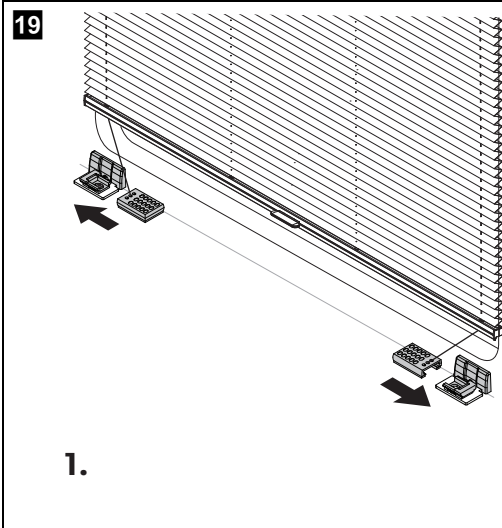
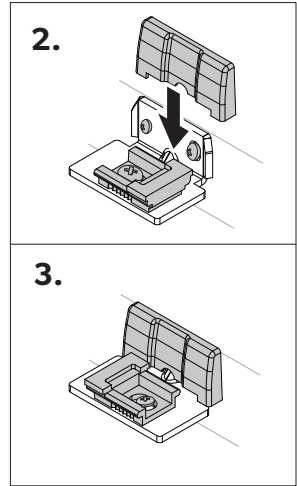
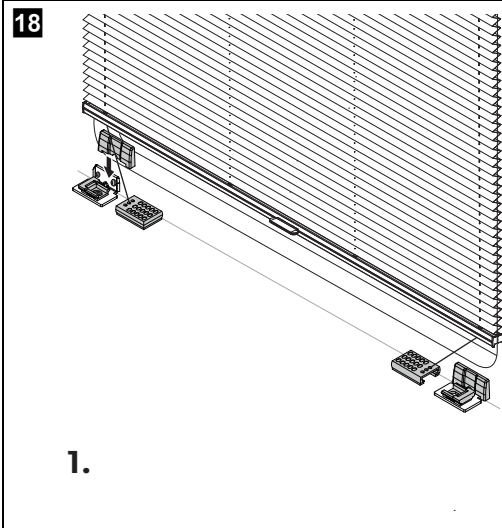


Fordybning til bundmonteret fodplade



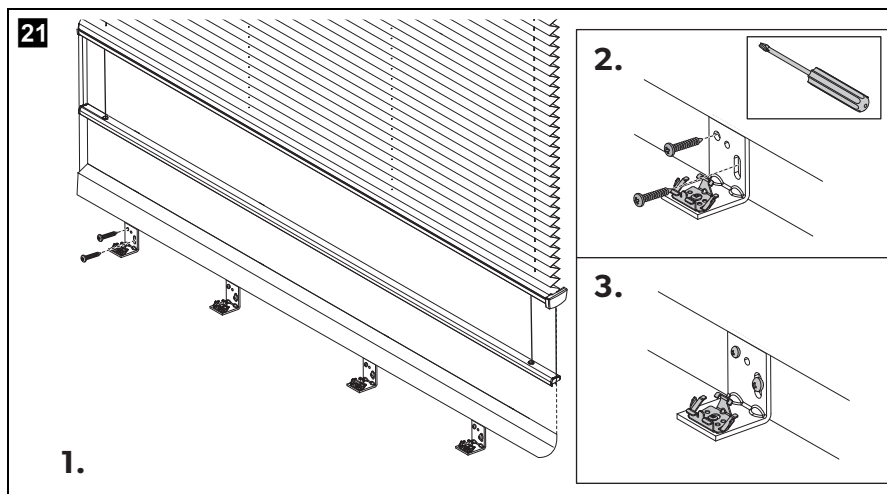
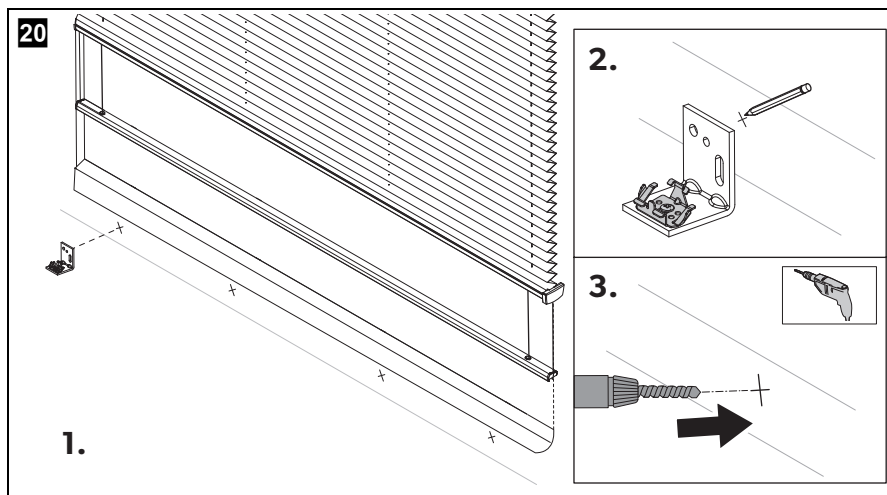
Flademonteret fodplade

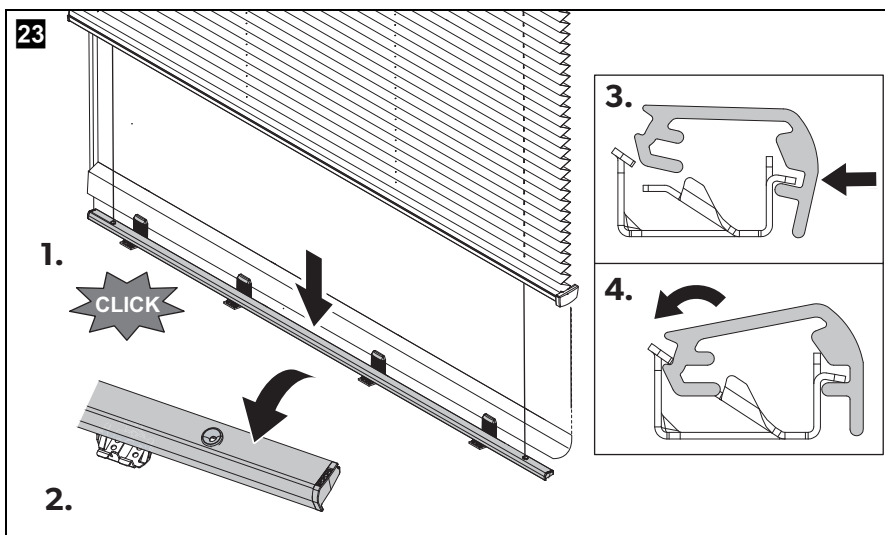
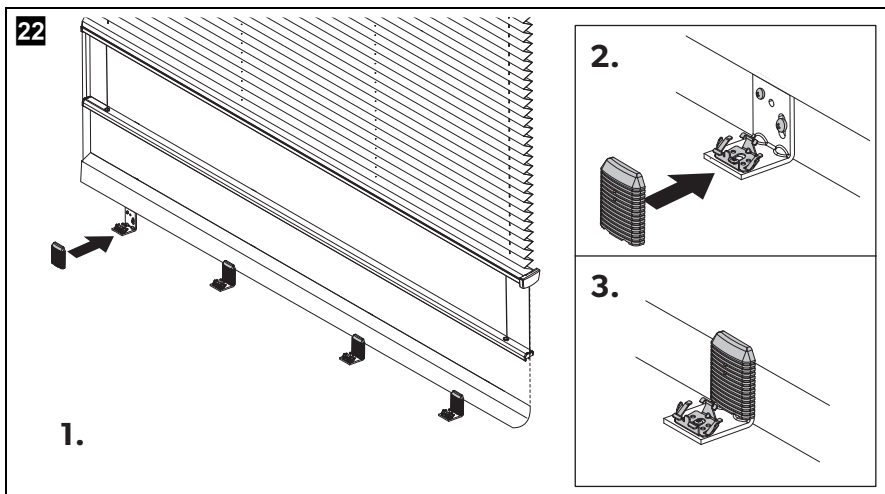




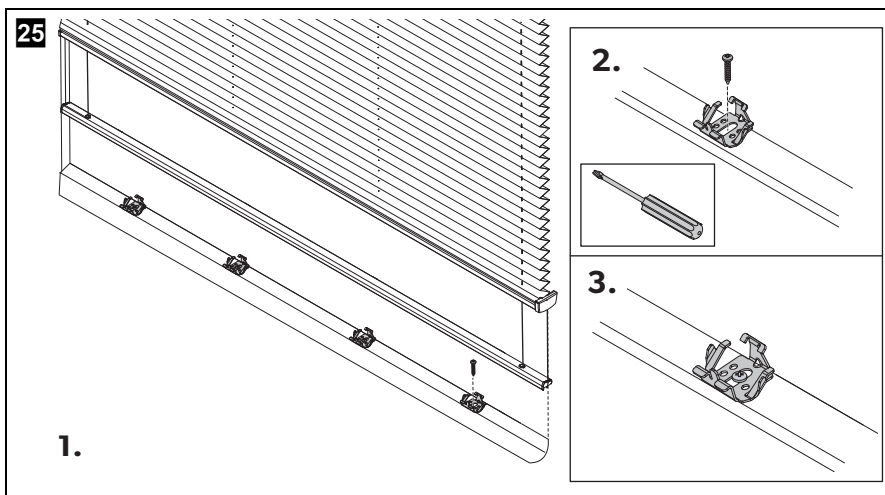
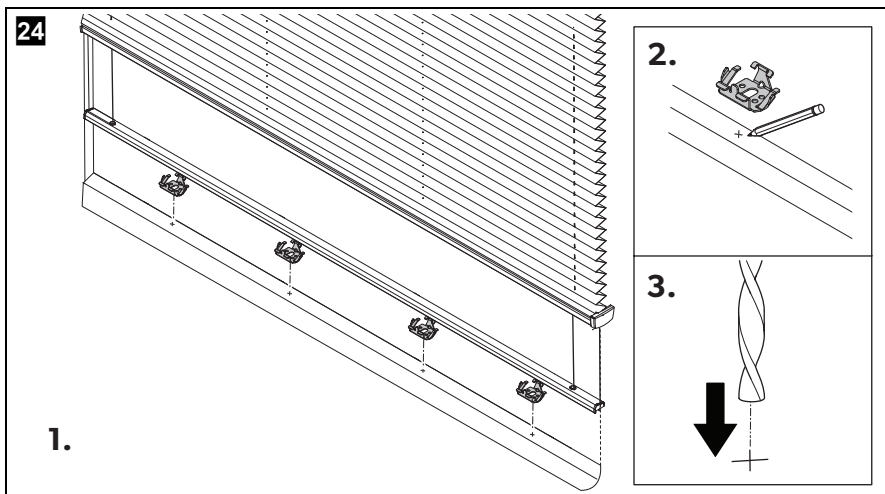
7.3 Montering af nederste liste

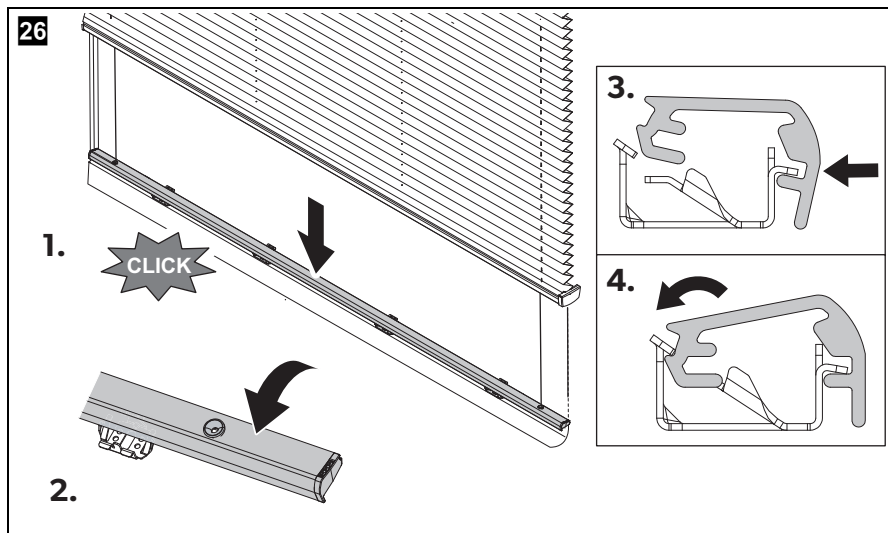
Flademonteret nederste liste



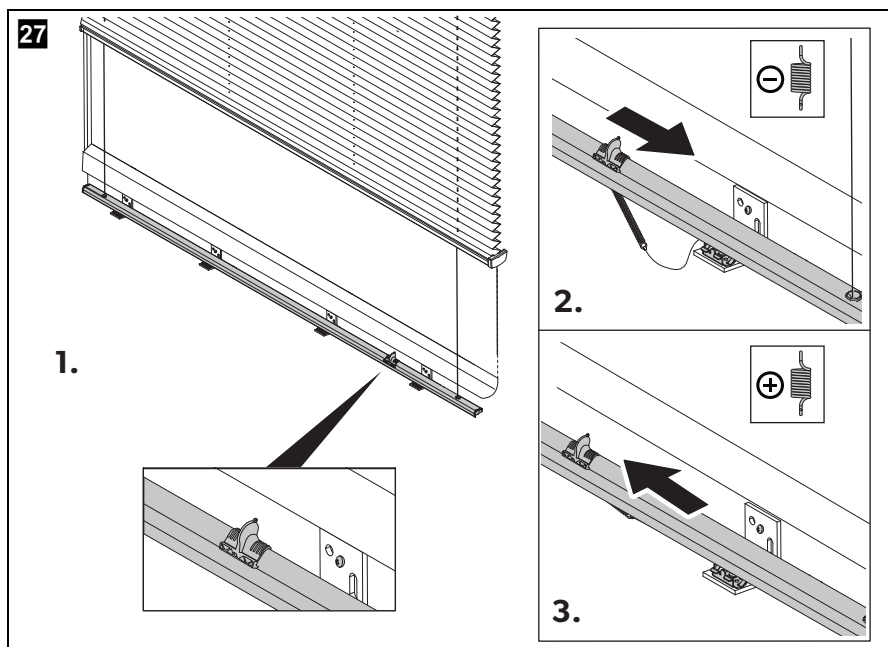


Fordybning monteret nederste liste





7.4 Stramning af snorene (kun med den valgfrie hurtigstrammer)



7.5 Tilslutning af rullegardinerne (kun elektriske rullegardiner)

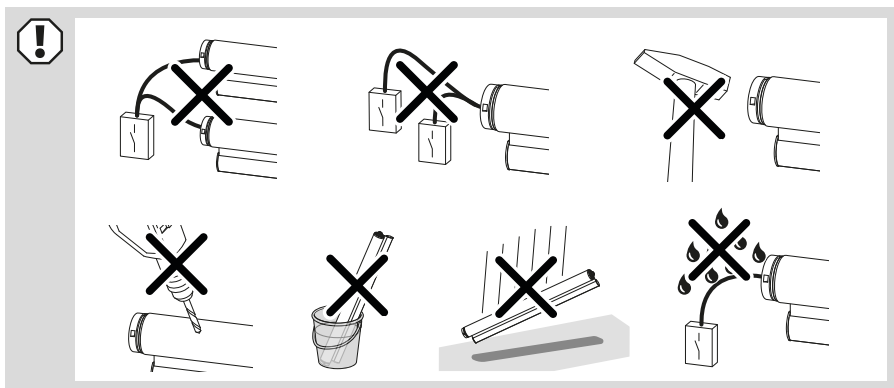


Den elektriske strømforsyning skal tilsluttes af en kvalificeret elektriker, som har dokumenterede færdigheder og viden med hensyn til konstruktion og drift af elektrisk udstyr og elektriske installationer og har gennemgået sikkerhedsuddannelse til at identificere og undgå de implicerede farer.

De elektriske rullegardiner fås med en tilslutning til en 12/24 V $\overline{\text{---}}$ strømforsyning. Typemærkaten på hovedskinnen indeholder vigtige oplysninger om specifikationerne for rullegardinets specifikke motor.

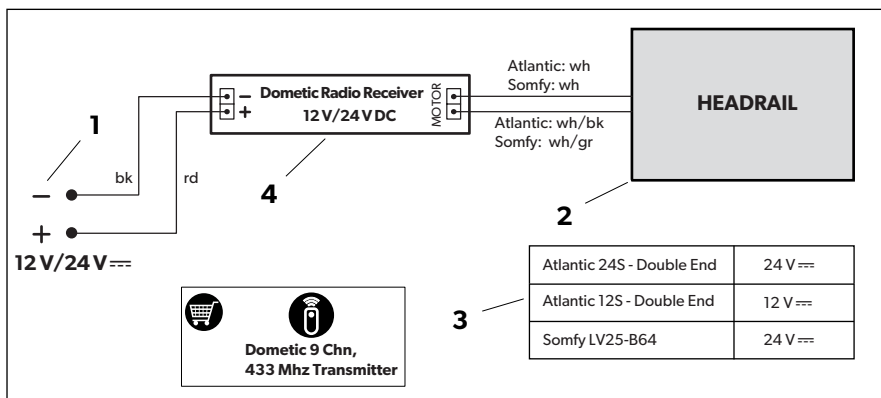
Følgende henvisninger skal overholdes, når rullegardinerne tilsluttes:

- Sørg for, at kablerne ikke beskadiges under monteringen. Føringerne af kablerne gennem vægge eller skodder skal beskyttes og isoleres vha. passende bøsninger, tyller eller kabelkanaler.
- Sørg for, at der findes en stabiliseret 12 V- eller 24 V-strømledning til drevet på monteringsstedet. Sørg for, at strømledningen er placeret korrekt og beskyttet.
- Produktet skal tilsluttes korrekt strømforsyning som angivet på produktmærkaten. Motoren i produktet er designet til at lukke ned, når den indstillede strømtilførsel overstiges, men strømforsyningen bør også sikres med sikring for at beskytte produktets ledning.
- Sørg for at sikre alle kabler for at forhindre, at de kommer i kontakt med bevægelige dele.
- Brug kun strømforsyningsenheder og betjeningselementer, der anbefales af producenten, for at undgå skader eller fejl under betjeningen, der skyldes inkompatible elektriske komponenter.
- Kontrolenheder (f.eks. kontakter) skal monteres på steder, hvor de er synlige.
- Én reguleret strømforsyning med de påkrævede specifikationer er påkrævet pr. motor, og unladelse heraf kan føre til, at motoren ikke fungerer korrekt.
- Justering af de indstillede yderpositioner må kun foretages med den metode, der er angivet for den pågældende motortype, så beskadigelse af motoren undgås.

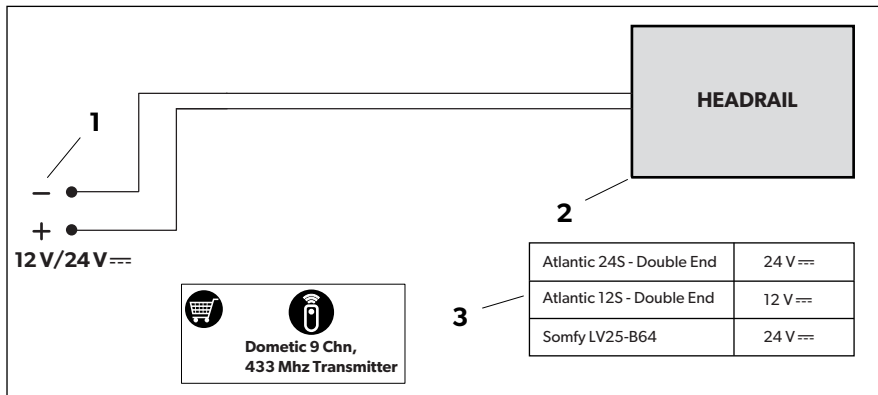


► Tilslut motoren som vist i strømskemaet.

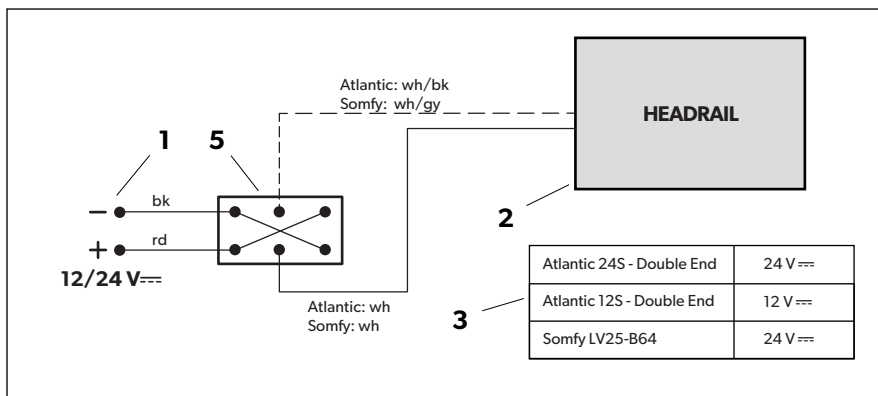
Dometic fjernbetjent rullegardin, ekstern modtager



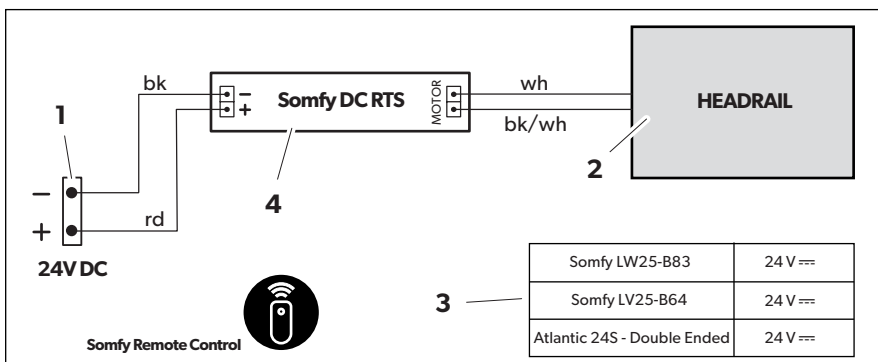
Dometic fjernbetjent rullegardin, intern modtager



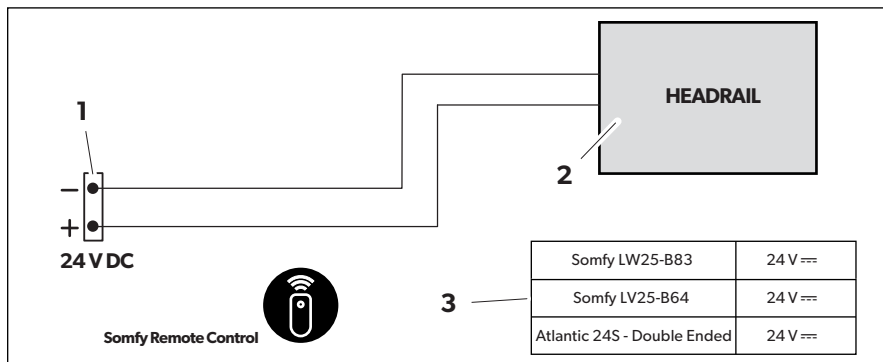
Manuelt betjening rullegardin



Somfy RTS-betjent rullegardin, ekstern modtager



Somfy RTS-betjent rullegardin, intern modtager



Forklaring til strømskemaer

Pos.	Beskrivelse
1	Strømforsyning
2	Hovedskinne
3	Hovedskinnemotoroptioner
4	Ekstern modtager
5	Kundeleveret DPDT-kontakt (dobbeltpolet, dobbelt aktivering), slukket i midten, låsende eller midlertidig, 12/24 V~, 3 A
bk	Sort
rd	Rød
gy	Grå
wh	Hvid



BEMÆRK

- Der købes tilbehør ved at benytte den separate bestillingsformular.
- Overhold de gældende dokumenter til styringerne og betjenings-elementerne.

8 Betjening



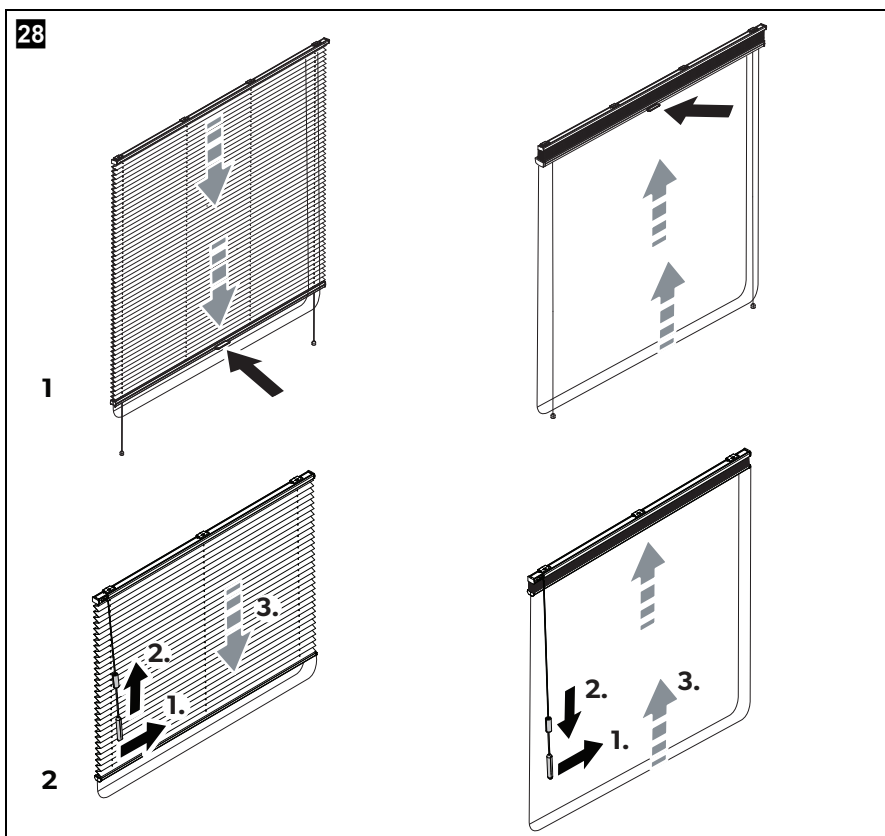
FORSIGTIG! Fare for kvæstelser

Kun for både og yachter: Hvis rullegardinet er foran et åbent vindue, skal rullegardinet rulles op, når der sejles mere end 10 knob eller i havtilstand, der er mere end moderat, fordi det kan beskadige rullegardinet. Dele, som løsner sig, kan kvæste personer i nærheden.

8.1 Betjening af manuelle rullegardiner

Rullegardinet kan køres til alle positioner med håndtaget.

► Fortsæt som vist for at betjene det manuelle rullegardin.

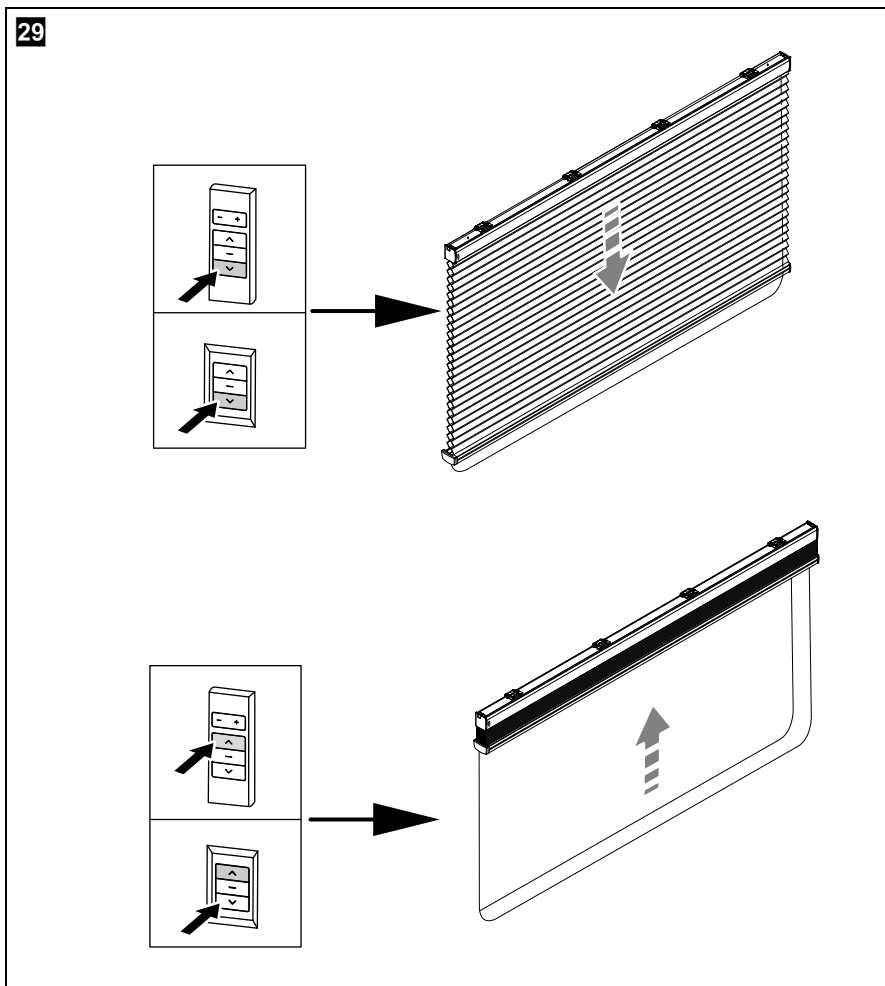


8.2 Betjening af elektriske rullegardiner

Vær opmærksom på følgende bemærkninger:

- Hvert rullegardin kan stoppes alle positioner.
- Når rullegardinet anvendes med et automatisk system, afhænger driften af kontrollementernes programmering.
- Rullegardinet er fra fabrikken indstillet til at stoppe:
 - når rullegardinet er kørt helt ud
 - når rullegardinet er kørt helt ind

► Fortsæt som vist for at betjene det elektriske rullegardin.



**BEMÆRK**

Motorerne har af sikkerhedsmæssige årsager en indbygget automatisk resettende termisk nedlukning. Langvarig brug eller overbelastning af rullegardinet kan forårsage nedlukningen. Hvis dette sker, så lad motoren køle af i op til en halv time.

9 Rengøring og vedligeholdelse

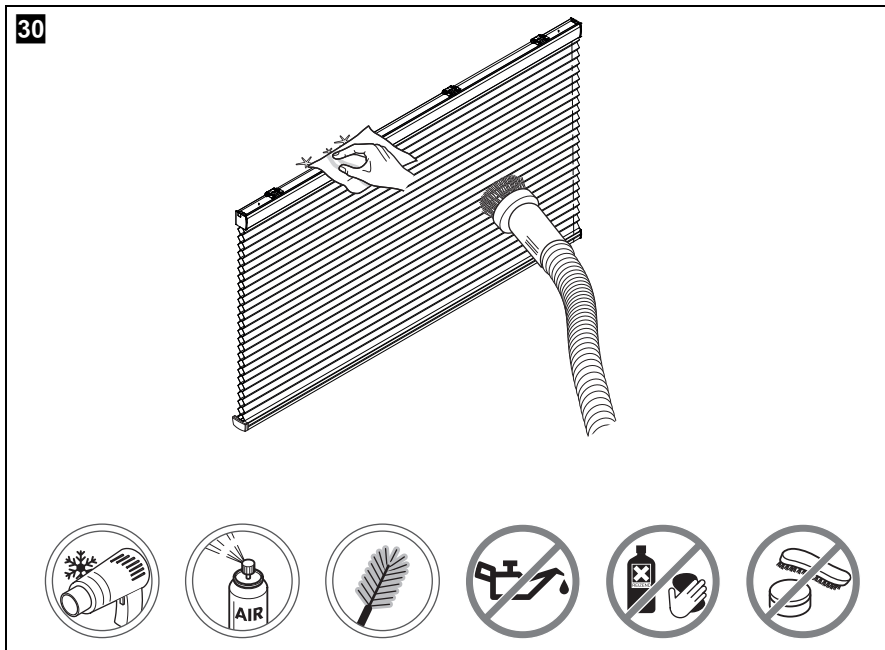
**ADVARSEL! Fare for kvæstelser**

Elektriske rullegardiner: Træf passende organisatoriske foranstaltninger for at undgå at betjene rullegardinet under vedligeholdelse, f.eks. når vinduespudsning eller rengøring af vægge udføres i nærheden, i forbindelse med rullegardiner, der kan betjenes fra en position, hvor man ikke kan se rullegardinet.

**VIGTIGT! Fare for beskadigelse**

- Smør ikke rullegardinet med fedt, olie eller smøremiddel. Smøremidler beskadiger stoffet.
- Det kan beskadige stoffer at gnide dem.
- Pletrengøring kan medføre i renere områder end omgivelserne.
- Læg ikke rullegardinerne i blød.
- Producenten anbefaler at teste alle rengøringsmidler på et skjult område på rullegardinet først.

► Fortsæt som vist for at rengøre rullegardinet.



10 Udbedring af fejl

Fejl	Løsning
For svag stramning	► Se kapitlet „Installation“ på side 214.
Det strammede rullegardin kører ujævnt	► Kontrollér holdepositionerne og målene for udkæringen.
Elektriske rullegardiner:	
Rullegardinet stopper i den forkerte position	► Se vejledningen til din betjeningsenhed.

Fejl	Løsning
Der kører forskellige rullegardiner med forskellige hastigheder	▶ Se vejledningen til din betjeningsenhed.
Det elektriske rullegardin virker ikke	▶ Langvarig eller gentagen brug kan aktivere den indbyggede termiske nedlukning. Lad motoren køle af i 20 minutter, og prøv derefter igen. ▶ Kontrollér strømforsyningen til rullegardinet. ▶ Kontrollér, om ledningsføringen til motoren er korrekt. ▶ Hvis strømforsyningen er kontrolleret, og motoren stadig er defekt, skal du kontakte Dometic.

11 Garanti

Se afsnittene nedenfor angående oplysninger om garanti og garantiydelse.

11.1 Australien og New Zealand

Hvis produktet ikke fungerer, som det burde, bedes du kontakte din forhandler eller producentens afdeling i dit land (se dometic.com/dealer). Garantien, der gælder for dit produkt, er 1 år.

Ved reparation eller krav om garanti skal du medsende følgende bilag:

- en kopi af regningen med købsdato
- en reklamationsgrund eller en fejlbeskrivelse.

Kun Australien

Vores varer kommer med garantier, som ikke kan udelukkes under den australske forbrugerlov. Du er berettiget til en udskiftning eller tilbagebetaling for en større fejl og for kompensation for alle andre rimeligt forudsigelige tab eller skade. Du er også berettiget til at få varerne reparere eller udskiftet, hvis varerne ikke har acceptabel kvalitet, og fejlen ikke anses for at være en større fejl.

Kun New Zealand

Denne garantipolitikken er underlagt betingelserne og garanterer, som er obligatoriske som indeholdt i forbrugergarantilovent 1993(NZ).

Lokal support

Find din lokale support på: dometic.com/dealer

11.2 USA og Canada

DEN BEGRÆNSEDE GARANTI ER TILGÆNGELIG PÅ
DOMETIC.COM/WARRANTY.

HVIS DU HAR SPØRGSMÅL ELLER ØNSKER EN GRATIS KOPI AF DEN BEGRÆNSEDE GARANTI, SKAL DU KONTAKTE:

DOMETIC CORPORATION
CUSTOMER SUPPORT CENTER
2320 INDUSTRIAL PARKWAY
ELKHART, INDIANA 46516
1-800-544-4881
customersupportcenter@dometic.com

11.3 Alle andre regioner

Den lovbestemte garantiperiode gælder. Hvis produktet er defekt, skal du kontakte producentens afdeling i din region (se dometic.com/dealer) eller din forhandler.

Ved reparation eller krav om garanti skal du medsende følgende bilag:

- en kopi af regningen med købsdato
- en reklamationsgrund eller en fejlbeskrivelse.

Vær opmærksom på, at egne eller uprofessionelle reparationer kan få sikkerhedsmæssige konsekvenser og kan gøre garantien ugyldig.

12 Bortskaffelse

12.1 Australien og New Zealand



- ▶ Bortskaf så vidt muligt emballagen i affaldscontainerne til den pågældende type genbrugsaffald.
- ▶ Kontakt en lokal genbrugsstation eller din faghandel for at få de pågældende forskrifter om, hvordan du bortskaffer produktet i overensstemmelse med disse gældende forskrifter for bortskaffelse.

12.2 Alle andre regioner



- ▶ Bortskaf så vidt muligt emballagen i affaldscontainerne til den pågældende type genbrugsaffald.
- ▶ Kontakt en lokal genbrugsstation eller din faghandel for at få de pågældende forskrifter om, hvordan du bortskaffer produktet i overensstemmelse med disse gældende forskrifter for bortskaffelse.
- ▶ Produktet kan bortskaffes uden gebyr.

Läs och följ noggrant alla instruktioner, direktiv och varningar i den här produkthandboken för att säkerställa att du alltid installerar, använder och underhåller produkten på rätt sätt. Dessa instruktioner MÅSTE förvaras tillsammans med produkten.

Genom att använda produkten bekräftar du härmed att du noggrant har läst alla instruktioner, direktiv och varningar och att du förstår och är införstådd med att följa de villkor som anges här. Du är införstådd med att endast använda denna produkt i avsett syfte och i enlighet med instruktionerna, direktiven och varningarna som anges i denna produkthandbok samt i enlighet med alla gällande lagar och bestämmelser. Om du inte läser och följer instruktionerna och varningarna som anges här kan det leda till personskador på dig eller andra, på produkten eller annan egendom i närheten. Denna produkthandbok, inklusive instruktionerna, direktiven och varningarna samt relaterad information, kan ändras och uppdateras. För uppdaterad produktinformation, besök documents.dometic.com.

Innehållsförteckning

1	Symbolförklaring	241
2	Säkerhetsanvisningar	242
3	Leveransomfattning	245
4	Tillbehör	246
5	Avsedd användning	247
6	Teknisk beskrivning	247
7	Installation	248
8	Användning	268
9	Rengöring och skötsel	270
10	Felsökning	271
11	Garanti	272
12	Avfallshantering	274

1 Symbolförklaring



VARNING!

Säkerhetsanvisning: Anger en farlig situation som, om den inte kan undvikas, kan leda till döden eller allvarlig personskada.



AKTA!

Säkerhetsanvisning: Anger en farlig situation som, om den inte kan undvikas, leder lindrig eller måttlig personskada.

**OBSERVERA!**

Anger en situation som, om den inte kan undvikas, kan leda till materiell skada.

**ANVISNING**

Kompletterande information om användning av produkten.

2 Säkerhetsanvisningar



WARNING! Om man underlåter att följa de här varningarna kan följden bli dödsfall eller allvarlig personskada.

Risk för livsfarliga elstötar (endast för eldrivna rullgardiner)

- Om apparaten uppvisar synliga skador får den ej tas i drift.
- Om produktens anslutningskabel skadas måste den, av säkerhetsskäl, bytas ut av tillverkaren, tillverkarens kundtjänst eller annan behörig eller kvalificerad person.
- Icke fackmässiga reparationer kan medföra allvarliga risker.
- Innan man utför något underhåll ska man koppla bort rullgardinen från strömförsörjningen.

Hälsorisk

- Viktiga säkerhetsanvisningar. Det är viktigt att följa dessa instruktioner för att upprätthålla personsäkerheten. Spara dessa instruktioner.
- Barn från åtta års ålder, personer med nedsatt fysisk, sensorisk eller mental förmåga, eller personer med bristande erfarenhet och kunskaper får använda den här apparaten förutsatt att de hålls under uppsikt eller om de har fått anvisningar om hur man använder den här apparaten på ett säkert sätt och känner till vilka risker som är förknippade med användningen.
- Barn får inte leka med apparaten.
- Utan uppsikt får barn inte utföra rengörings- eller underhållsarbeten.
- Rullgardiner bör rullas upp före manövrering så att föraren har god sikt.

- **Endast för eldrivna rullgardiner:**

- Montera inte eldrivna rullgardiner på utrymningsluckor.
- Om konstruktionen ändras eller utrustningen konfigureras utan uttryckligt medgivande från tillverkaren, kan detta leda till en farlig situation.
- Låt inte barn leka med den inre rullgardinens styrenhet. Håll fjärrkontroller utom räckhåll för barn.
- Kontrollera regelbundet installationen för att se om kablarna är slitna eller skadade. Använd dem inte om de behöver repareras.
- Använd inte maskinen när underhåll, t.ex. fönsterputsning, utförs i närheten.

Risk för strypning



- Små barn kan strypas av öglor i dragsnören, kedjor, band och inre snören som manövrerar produkten.
- Håll snören utom räckhåll för små barn för att förhindra strypning eller att de trasslar in sig. Snören kan hamna runt halsen på barn.
- Flytta sängar, barnsängar och möbler så de inte står nära snören vid fönster.
- Knyt inte ihop snören. Se till att snörena inte tvinnas ihop och bildar öglor.

Kvävningsrisk

- Den här produkten innehåller smådelar. Håll den utom räckhåll för barn under 3 år.
- Förpackningen innehåller plastpåsar. Håll dessa utom räckhåll för barn under 3 år.



AKTA! Om man underlåter att följa de här försiktighetsåtgärderna kan följden bli lindrig eller måttlig personskada.

Risk för personskada

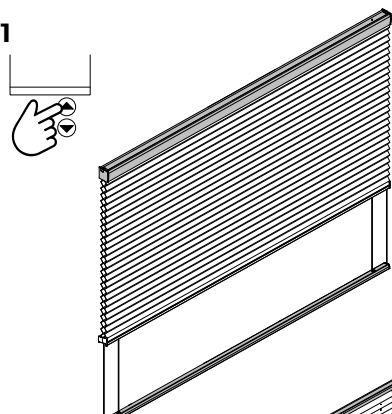
- Produkten får endast installeras, tas bort eller repareras av behörig eller kvalificerad personal med lämpligt fastsättningsmaterial.
- Vidta rimliga försiktighetsåtgärder när du installerar rullgardinen och använd lämplig personlig skyddsutrustning.
- **Gäller endast för båtar eller segelbåtar:** Om rullgardinen är placerad framför ett öppet fönster ska man rulla upp rullgardinen om man kör snabbare än 10 knop eller om sjöförhållandena är mer än måttligt svåra, eftersom rullgardinen annars kan skadas. Delar som lossnar riskerar att skada personer i omgivningen.

**OBSERVERA!****Risk för skada**

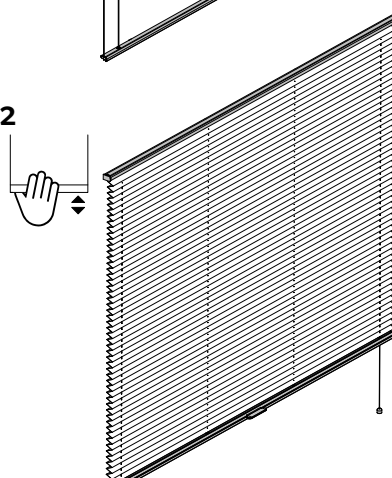
- Rullgardiner ska vara helt uppdragna när båten eller fordonet körs.
- Använd skruvar och stift som är avsedda för väggkonstruktioner för att fästa rullgardinen.
- Kontrollera att du inte borrar genom väggen.
- Kontrollera att dina händer är rena eller använd lämpliga handskar så att du inte gör märken i tyget.
- **Endast för eldrivna rullgardiner:**
 - Kontrollera att spänningssuppgifterna på kabeletiketten överensstämmer med uppgifterna för elförsörjningen.
 - Använd endast kablar med passande kabelarea.

3 Leveransomfattning

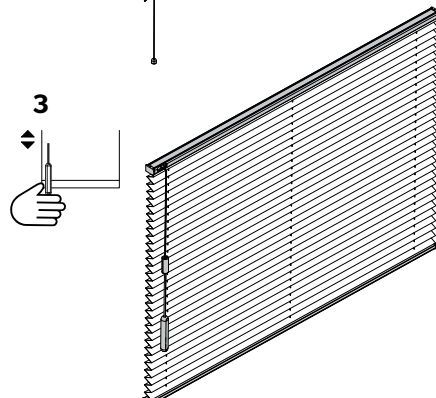
1









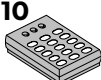
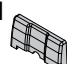
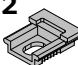

2






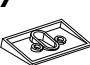

3



4 	5 
6 	7 

8 	9 
10 	11 
12 	13 2x 

14 	15 
16 	

17 	18 
--	--

Del i bild 1	Mängd	Beskrivning
1 – 3	1	Rullgardinsenhet Designen är modellberoende, exempelvis eldriven eller manuell, fritt hängande eller spänd, version med 2 skenor eller version med 3 skenor
4	beroende på rullgardinsstorlek	Huvudskenfäste för eldrivna rullgardiner
5	beroende på rullgardinsstorlek	Vinkelfästesskydd (tillbehör för ytmontering)
6	beroende på rullgardinsstorlek	Fästessats för version med 3 skenor (tillbehör för ytmontering)
7	beroende på rullgardinsstorlek	Fästessats för version med 3 skenor (tillbehör för försänkt montering)
8, 14	beroende på rullgardinsstorlek	Huvudskenfäste för manuella rullgardiner
9	beroende på rullgardinsstorlek	Bottenplatta
10	2	Bottenplatta (tillbehör för ytmontering och försänkt montering, endast för version med 2 skenor)
11	beroende på rullgardinsstorlek	Vinkelfästesskydd
12	beroende på rullgardinens storlek och vinkel	Bottenplatta (tillbehör för försänkt montering, endast för version med 2 skenor)
13	1	Kupolnedhållarsats (tillbehör för version med 2 skenor, monterad på medföljande rullgardin)
15	1	Stav/rullkapsel
16	1	Hållare för öppningshandtag
17 – 18	tillval	Brickor för utjämning av rullgardin (tillval)

4 Tillbehör

Tillbehör finns tillgängliga genom det separata beställningsformuläret. På dometic.com hittar du din auktoriserade kundtjänst.

5 Avsedd användning

Rullgardinen är avsedd för:

- Installation i stora och små fritidsbåtar
- Installation i husvagnar och husbilar

Rullgardinernas storlek och utförande skräddarsys. Rullgardinstyget skärs till enligt kundens önskemål.

Rullgardinerna är endast utformade för inomhusbruk och får inte installeras i badrum, våtrum eller i andra utrymmen med hög luftfuktighet.

Den här produkten lämpar sig endast för avsedd användning i enlighet med denna bruksanvisning.

Den här manualen informerar om vad som krävs för att installera och/eller använda produkten på rätt sätt. Felaktig installation och/eller användning eller felaktigt underhåll kommer leda till att produkten inte fungerar optimalt och riskerar gå sönder.

Tillverkaren åtar sig inget ansvar för personskador eller materiella skador på produkten som uppstår till följd av:

- Felaktig montering eller anslutning, inklusive för hög spänning
- Felaktigt underhåll eller användning av reservdelar som inte är originaldelar från tillverkaren
- Ändringar som utförts utan uttryckligt medgivande från tillverkaren
- Användning för andra ändamål än de som beskrivs i denna bruksanvisning

Dometic förbehåller sig rätten att ändra produktens utseende och specifikationer.

6 Teknisk beskrivning

Rullgardinen finns i olika drivningsvarianter:

- Manuell, spänd
- Manuell, fritt hängande
- Eldriven, spänd
- Eldriven, fritt hängande

Spända modeller kräver att snörena sätts fast på motsatt sida från huvudskenan:

- Fästen som håller versionen med 3 skenor
- Nedhållningsalternativ som håller versionen med 2 skenor

**ANVISNING**

Efter leverans ska rullgardinstypen och leveransomfattningen kontrolleras med orderbekräftelsen. Numret på produktetiketten som visar rullgardinstypen sitter på baksidan av huvudskenan. Vänster- och högerhandspar kan se lika ut.

7 Installation

**AKTA! Risk för personskada**

Viktiga säkerhetsanvisningar. Följ alla instruktioner. Felaktig installation kan leda till allvarliga personskador.

7.1 Installera huvudskenan

**VARNING!**

Eldrivna rullgardiner: Bryt strömförsörjningen innan du börjar och säkerställ att strömmen inte kan kopplas på igen förrän installationen är klar.

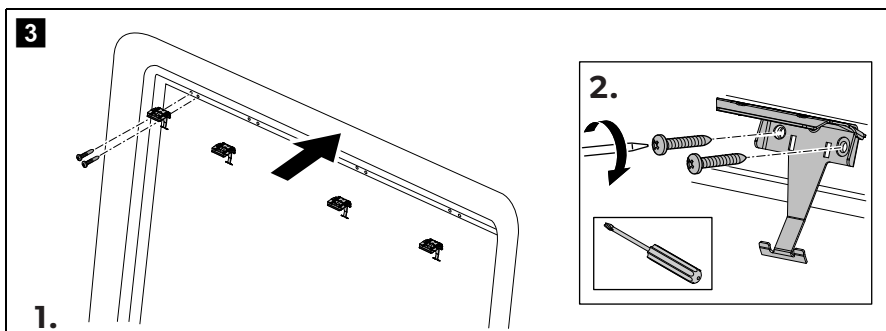
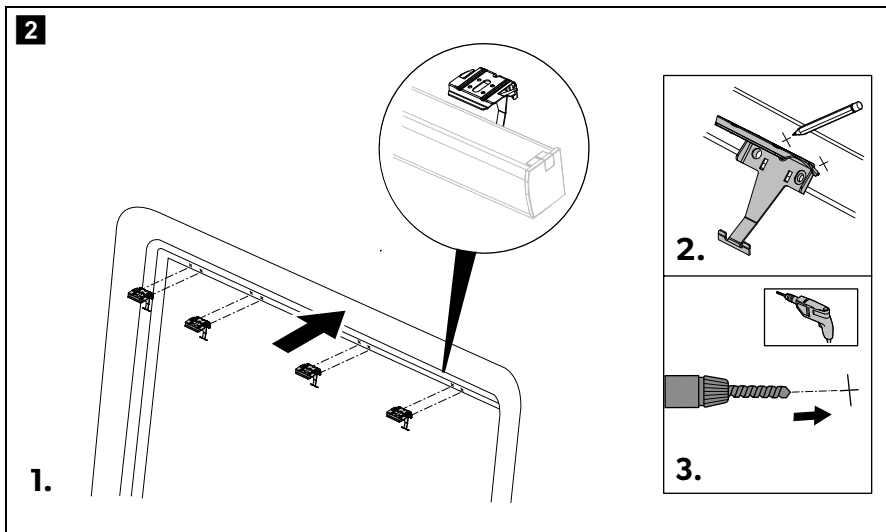
Rullgardinen kan sättas fast ytmonterad mot en vägg eller försänkt i en väggförsänkning eller i taket. Huvudskenan kan monteras längst upp eller längst ner på fönstret. Det finns olika huvudskenor för eldrivna rullgardiner och manuella rullgardiner.

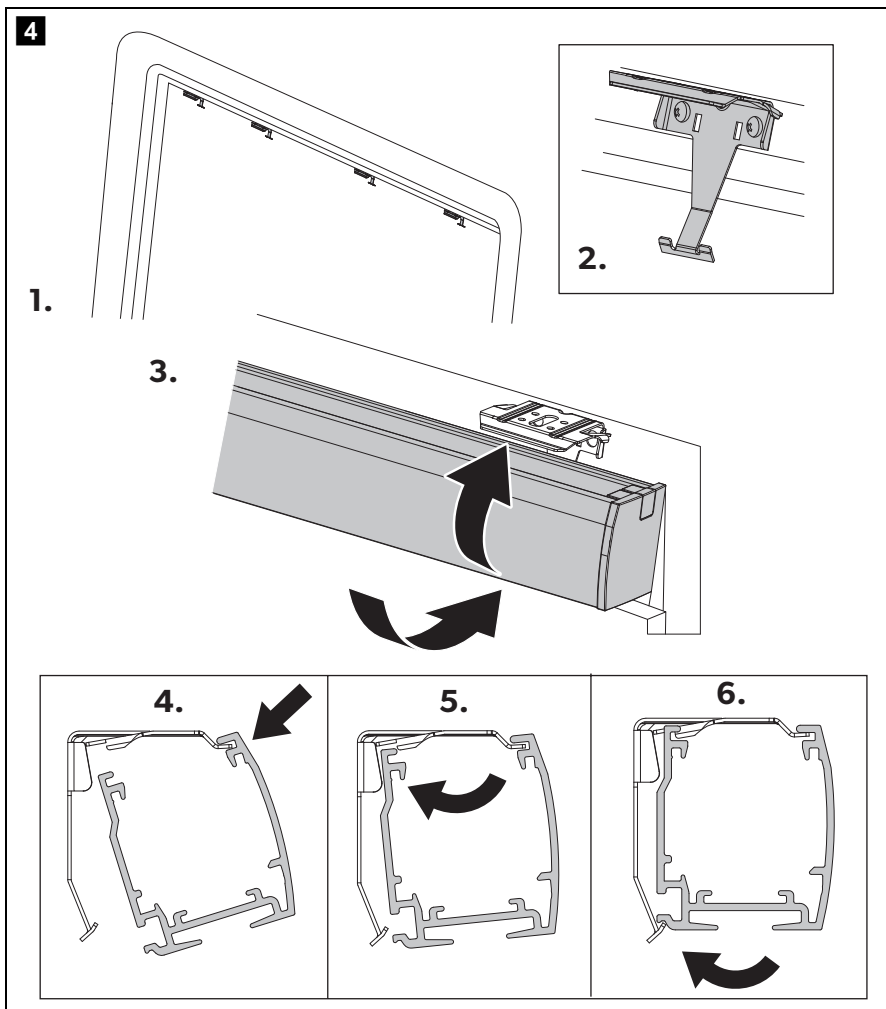
Beroende på utrymmet vid installationsplatsen kan ordningsföljden för hur rullgardinskomponenterna monteras variera (t.ex. kan skenan längst ner monteras först).

**ANVISNING**

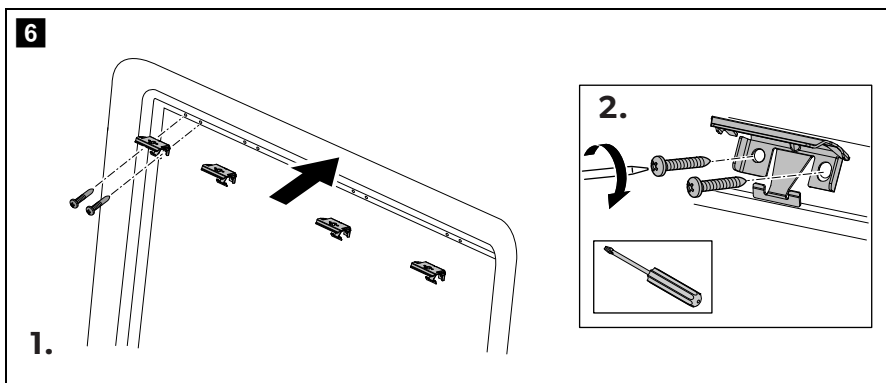
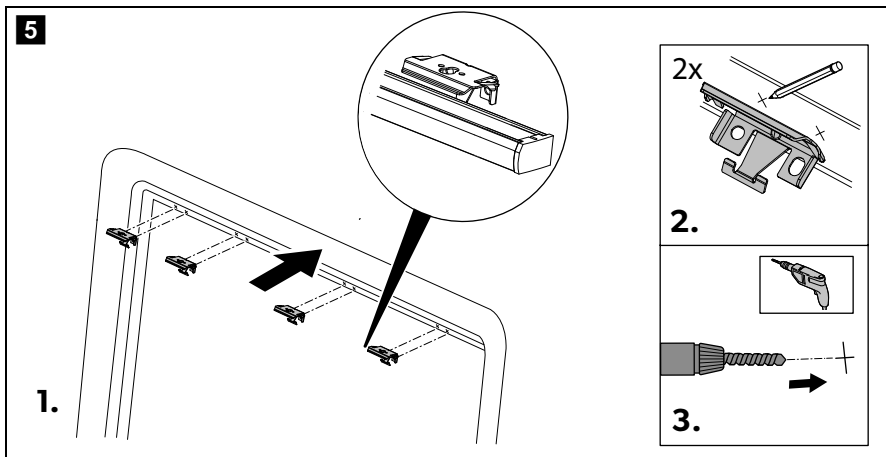
Se till att det finns tillräckligt mycket plats bakom fästena för att kunna nå öppningsclipset.

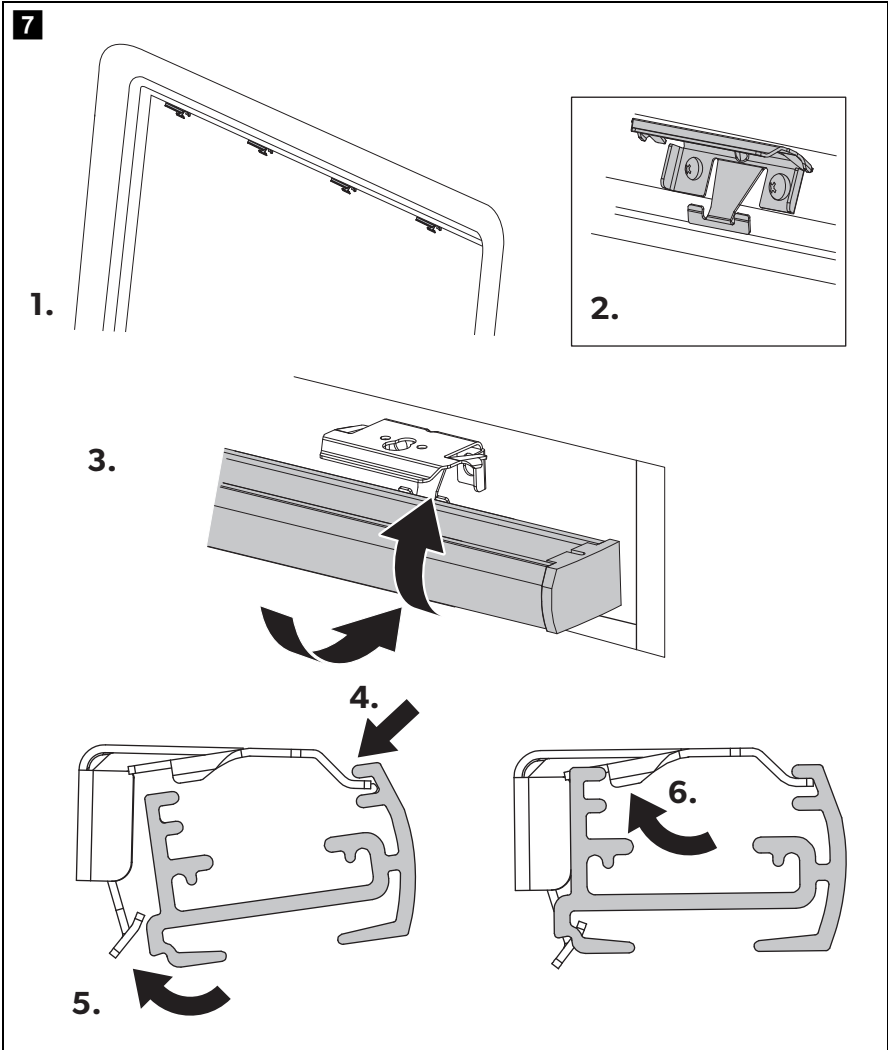
Ytmonterad eldriven huvudskena



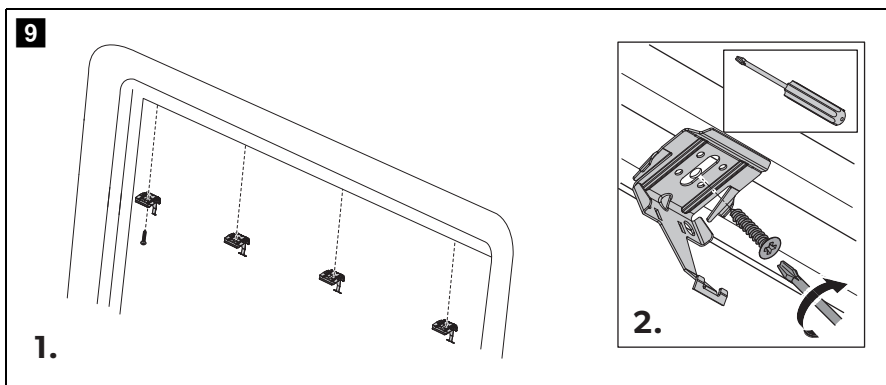
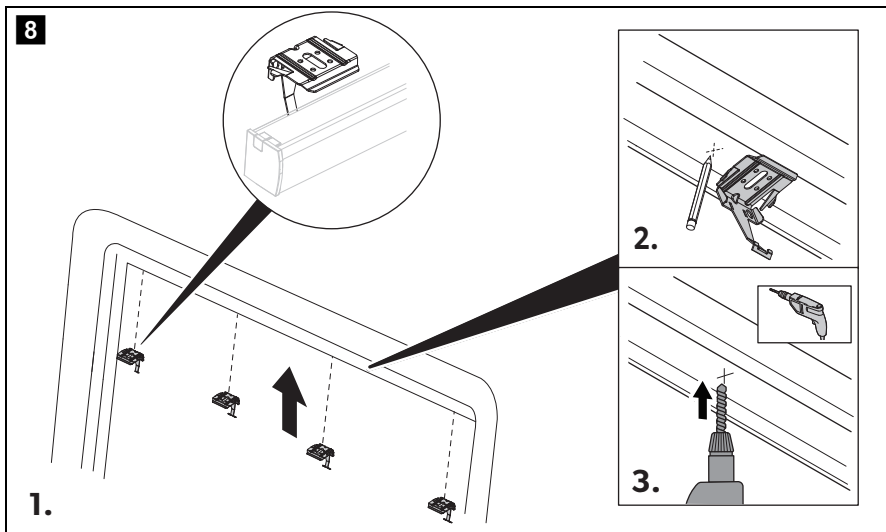


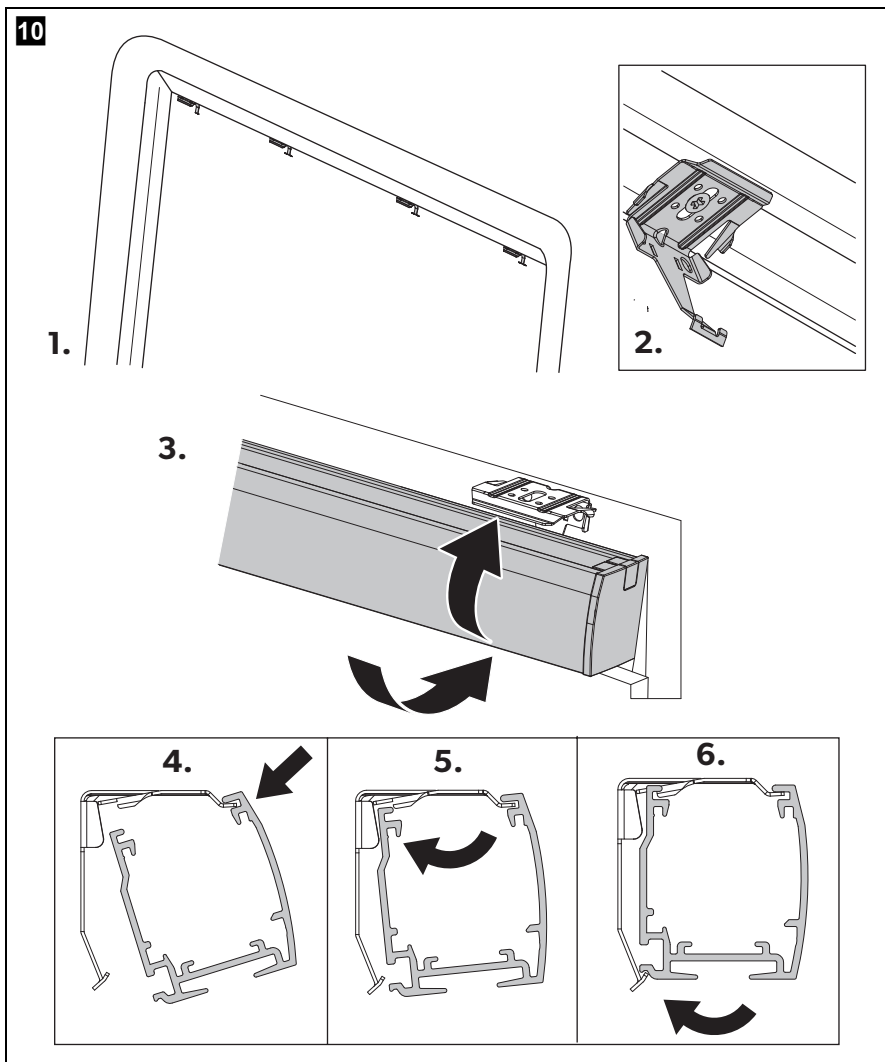
Ytmonterad manuell huvudskena



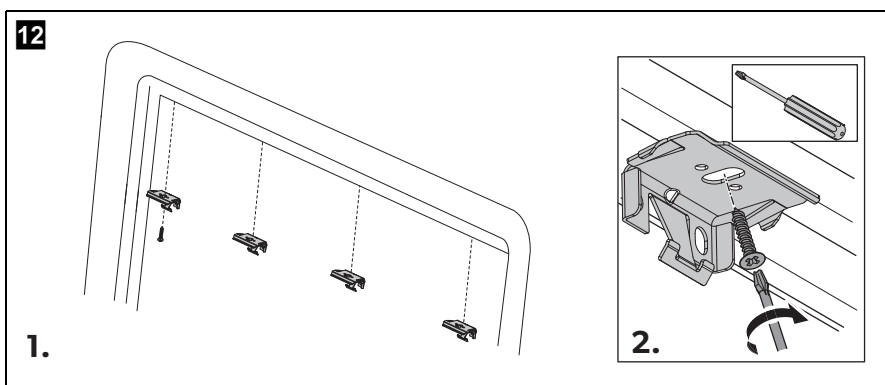
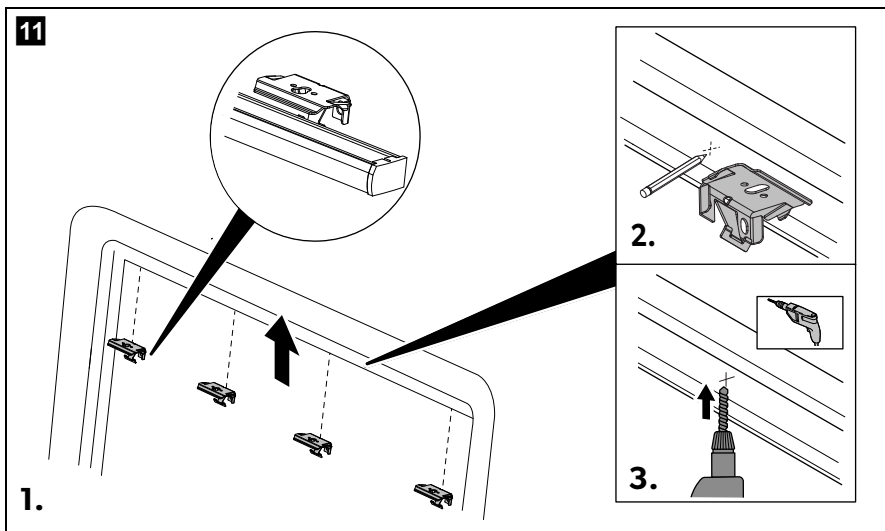


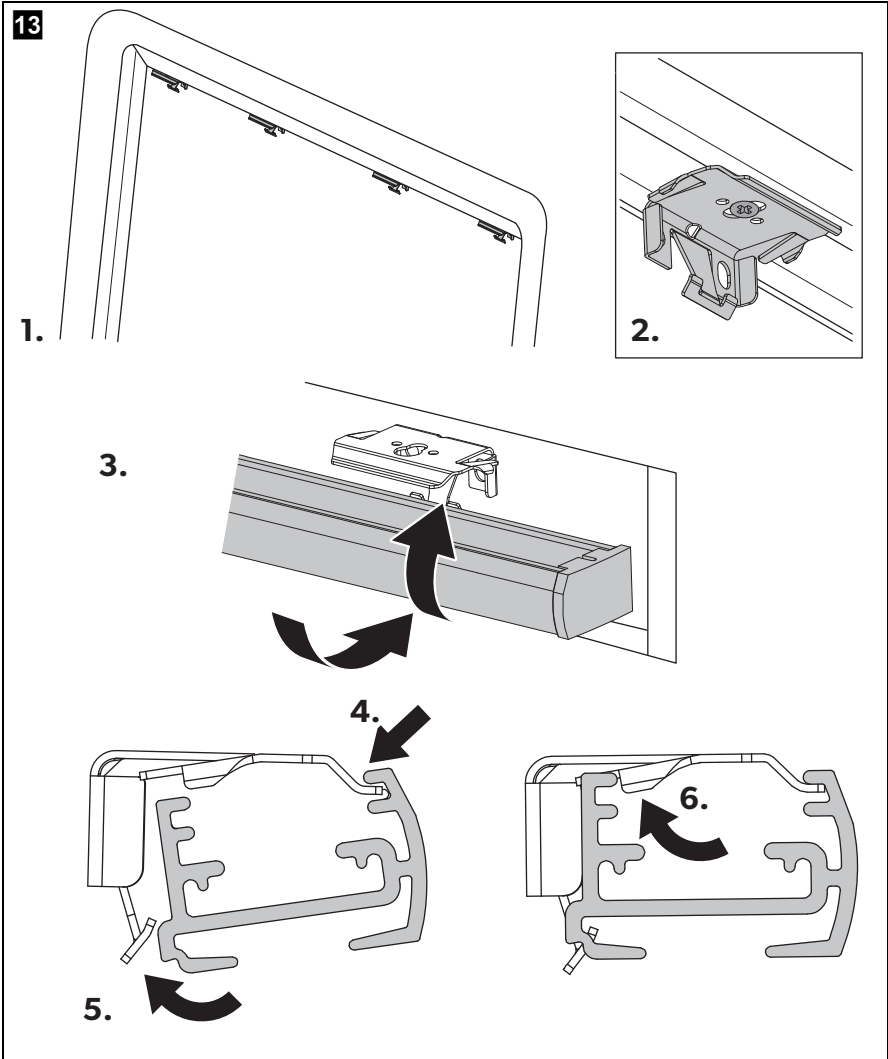
Försänkt monterad eldriven huvudskena





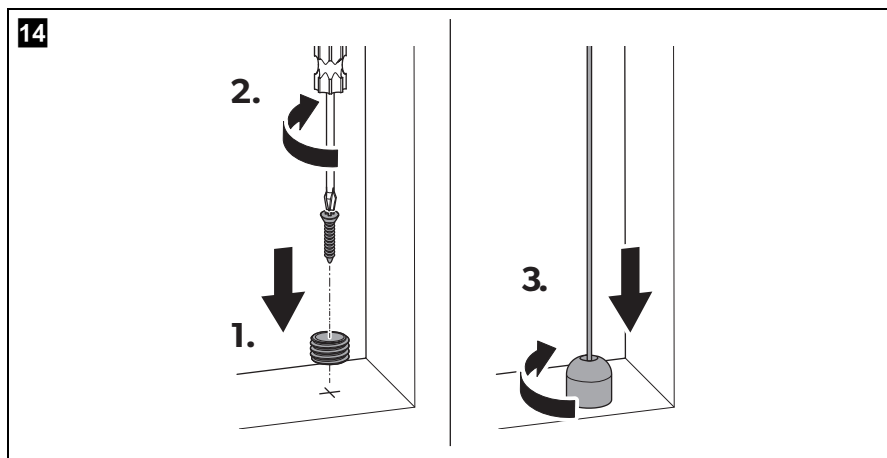
Försänkt monterad manuell huvudskena



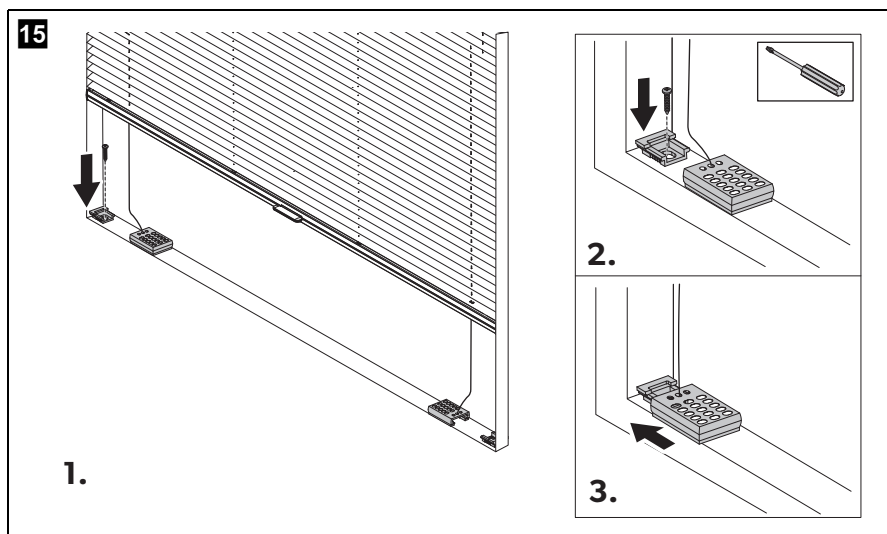


7.2 Fästa nedhållningarna

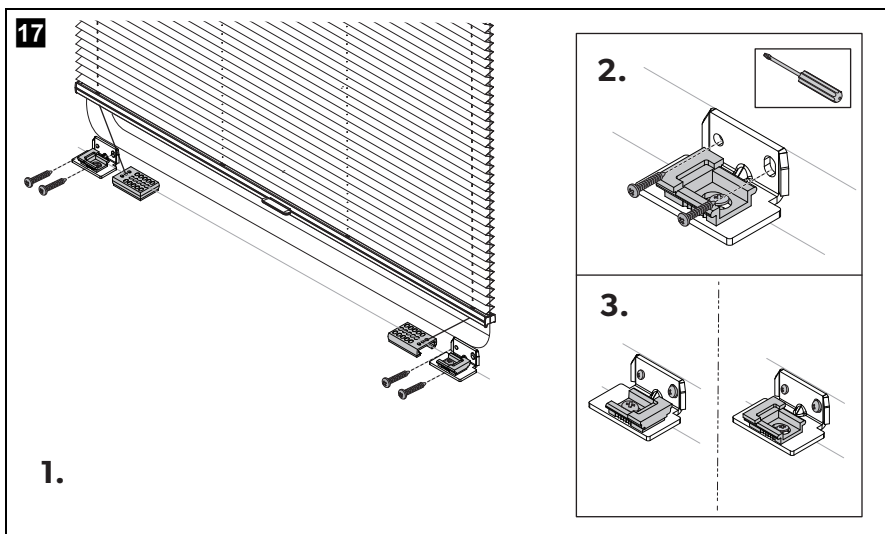
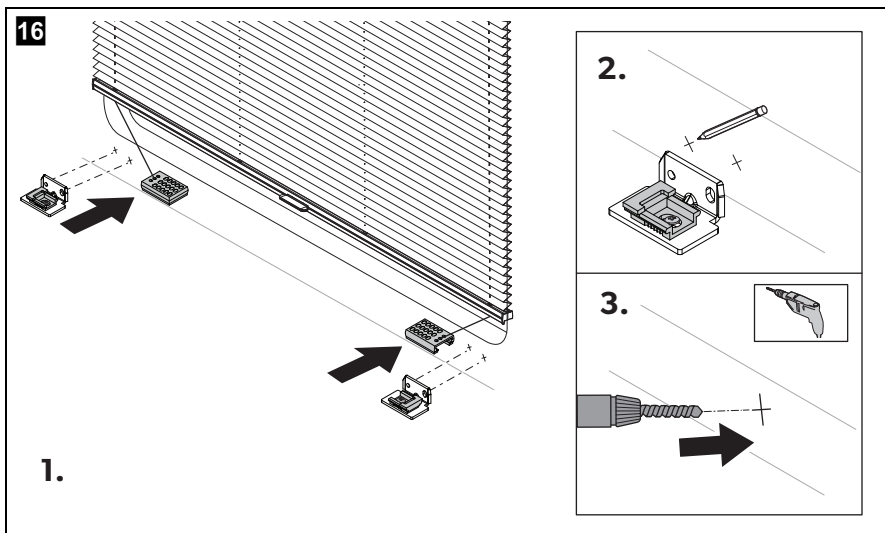
Försänkning kupolnedhållning

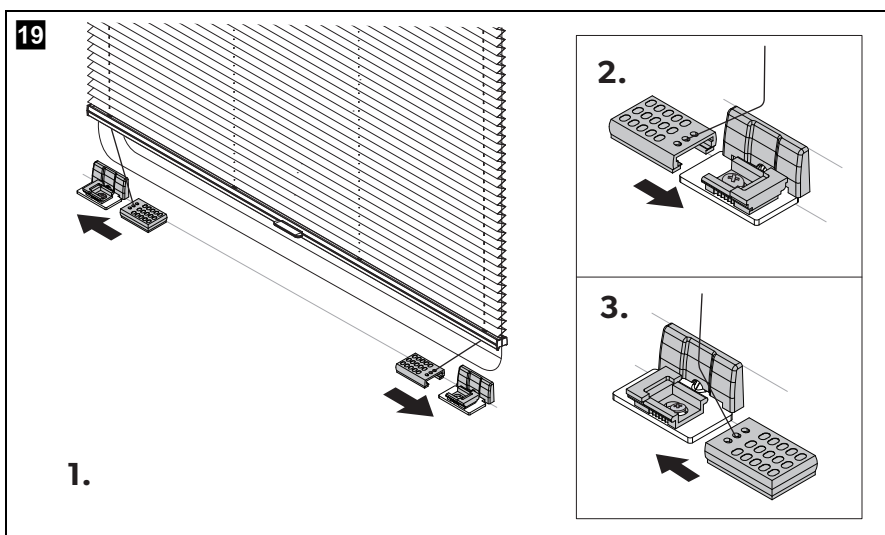
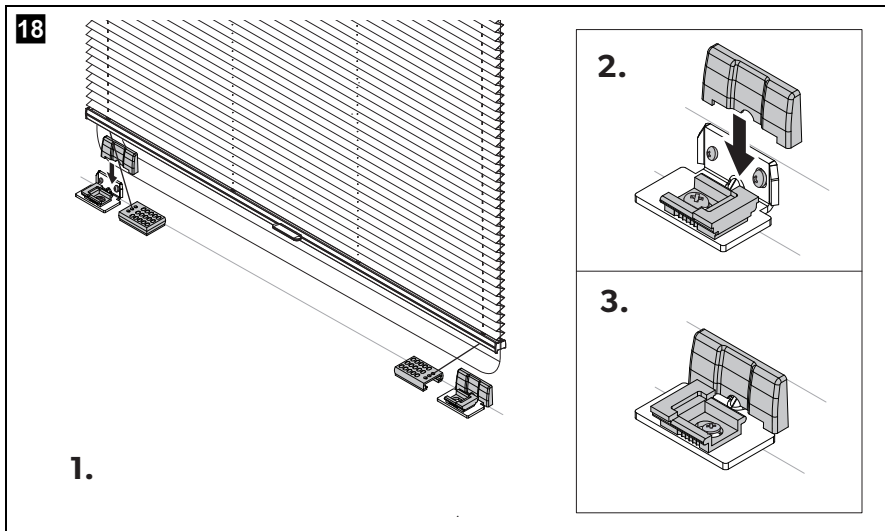


Försänkning bottenplattfäste



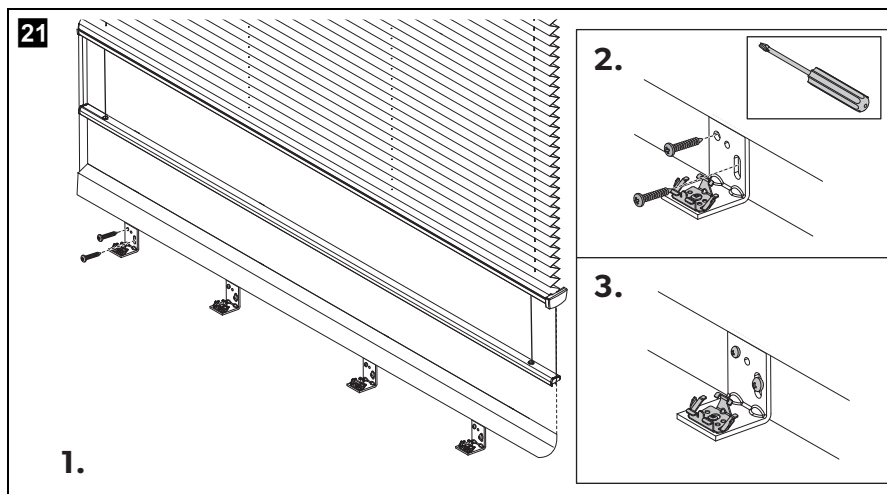
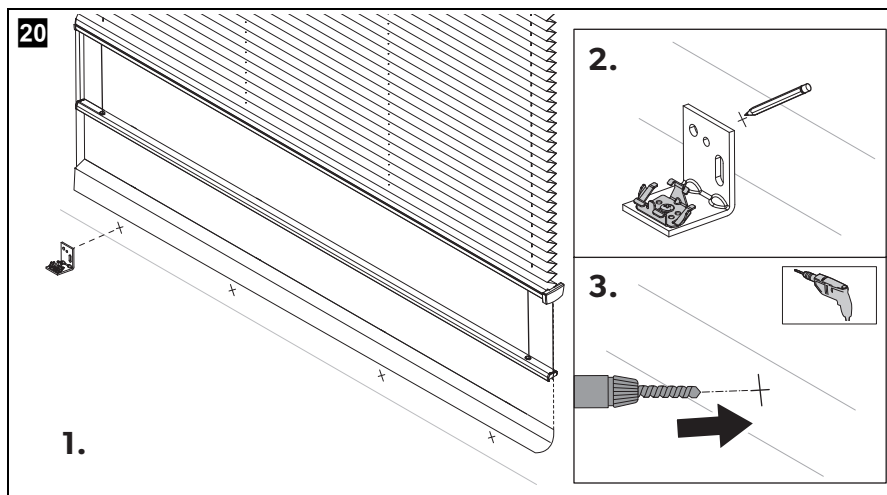
Ytfäste bottenplatta

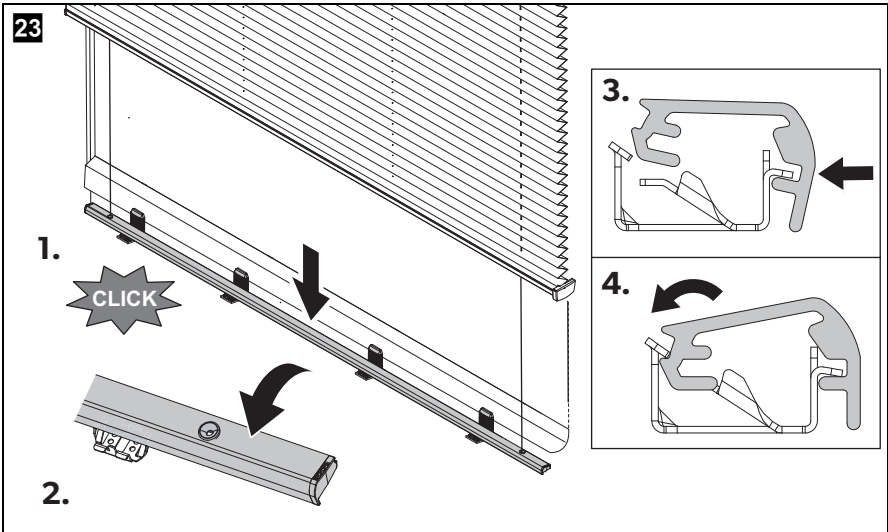
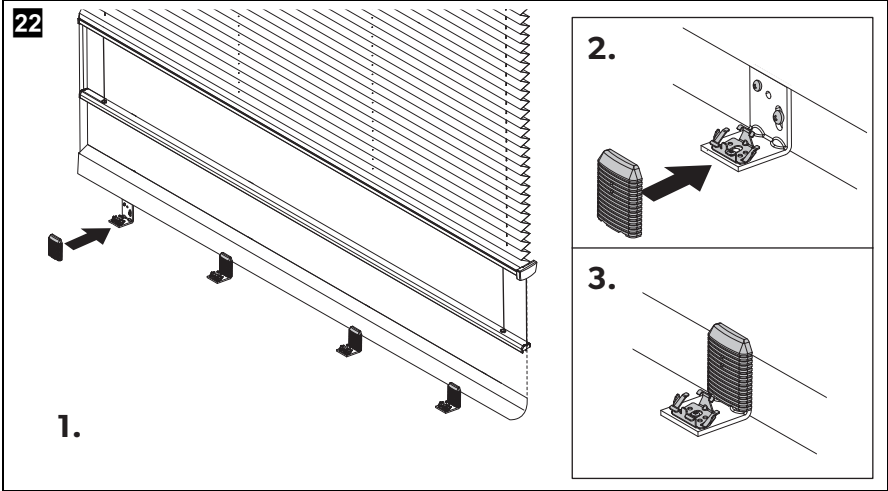




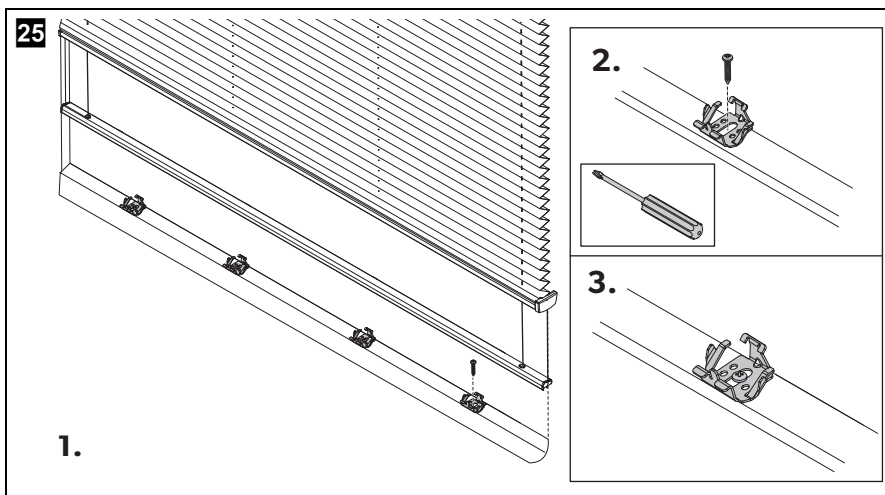
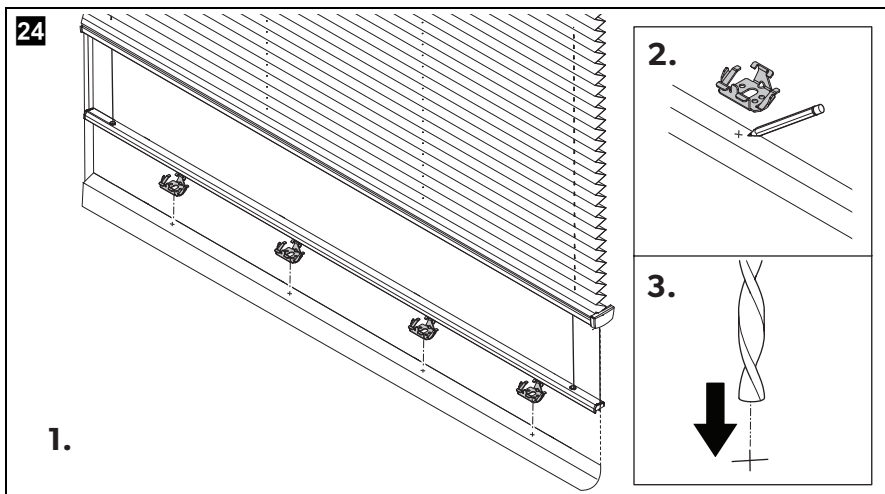
7.3 Fästa bottenkenan

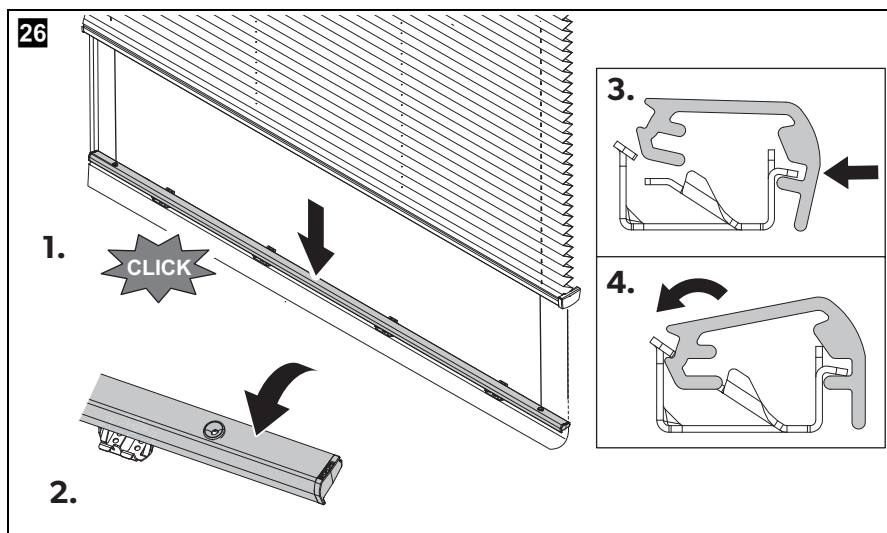
Ytmonterad bottenkena



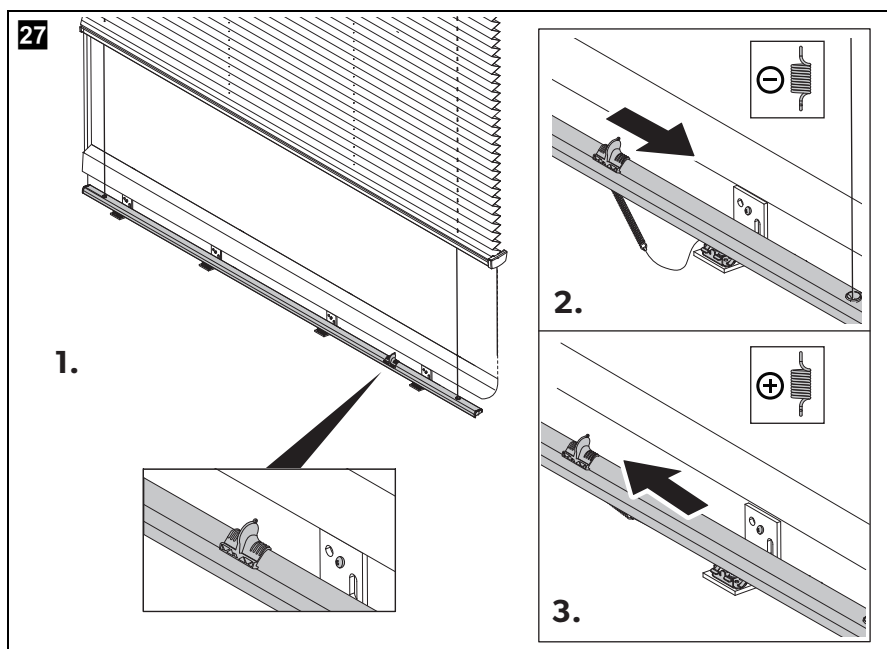


Försänkt monterad bottenskena





7.4 Spänna snörena (endast med tillval Quick Tensioner)



7.5 Ansluta rullgardinerna (endast för eldrivna rullgardiner)

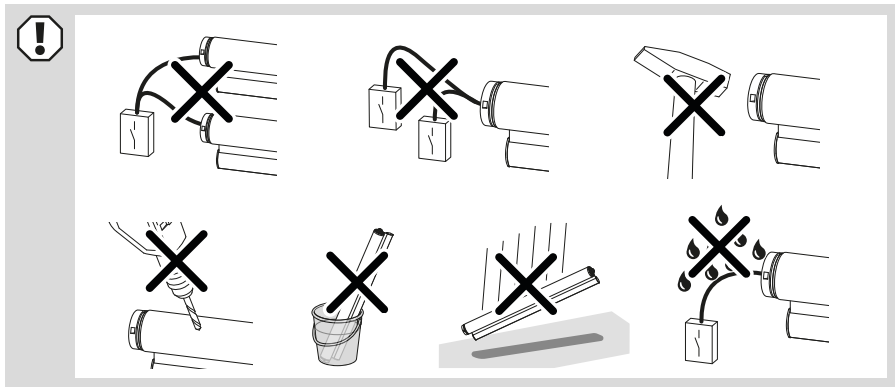


Anslutningen av den elektriska strömförsörjningen måste utföras av en certifierad elektriker med belagda färdigheter och kunskaper om konstruktion och drift av elutrustningar samt installationer och som har genomgått en säkerhetsutbildning så att hen kan identifiera och undvika förknippade risker.

De eldrivna rullgardinerna finns för anslutning till 12/24 V $\overline{=}$ spänningsförsörjning. Typetiketten på huvudskenan ger viktig information om specifikationerna för motorn som hör till rullgardinen.

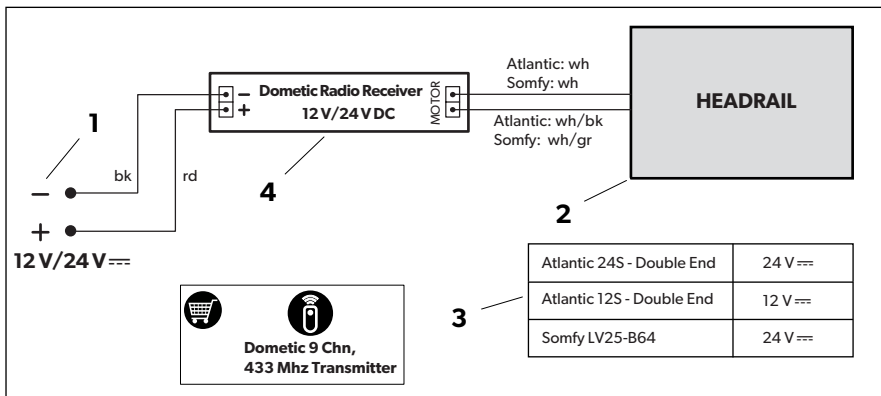
Tänk på följande när rullgardiner ansluts:

- Kontrollera att kablarna inte skadas under installationen. När man drar kablar genom väggar eller skiljeväggar måste man skydda och isolera med hjälp av lämpliga bussningar, kabelhylsor eller kabelkanaler.
- Kontrollera att det finns en tillgänglig 12 V eller 24 V stabiliserad elkabel för drivningen på installationsplatsen. Elkabeln ska ha dragits och säkrats på ett korrekt sätt.
- Produkten måste vara ansluten till rätt strömkälla enligt produktetiketten. Motorn i produkten är utformad för att stanna när en angiven ströminställning överskrids, men strömförsörjningen ska vara försedd med en säkring för att skydda kablarna till produkten.
- Sätt fast alla kablar så att det inte uppstår kontakt med några rörliga delar.
- Använd endast spänningsförsörjningar och reglage som rekommenderas av tillverkaren för att förhindra skador eller fel vid användningen på grund av inkompatibla elkomponenter.
- Styrutrustningar (t.ex. brytare) ska installeras på platser där de syns.
- Det krävs en reglerad strömförsörjning med rekommenderad specifikation per motor eftersom det annars kan leda till att motorn inte fungerar som den ska.
- Justeringar av inställda stopplägen ska endast göras med den metod som specificerats för motortypen för att undvika skador på motorn.

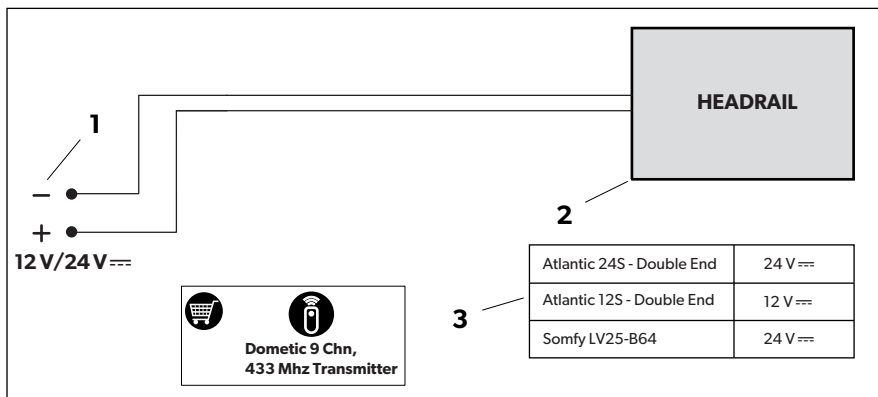


► Anslut motorn enligt kopplingscheman.

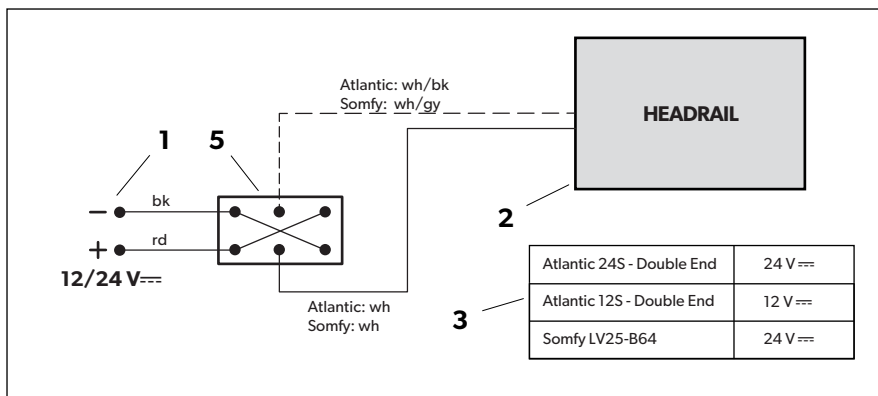
Dometic radiostyrd rullgardin extern mottagare



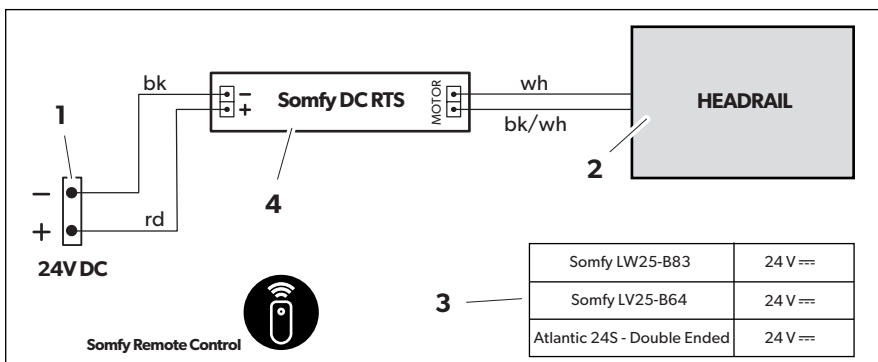
Dometic radiostyrd rullgardin intern mottagare



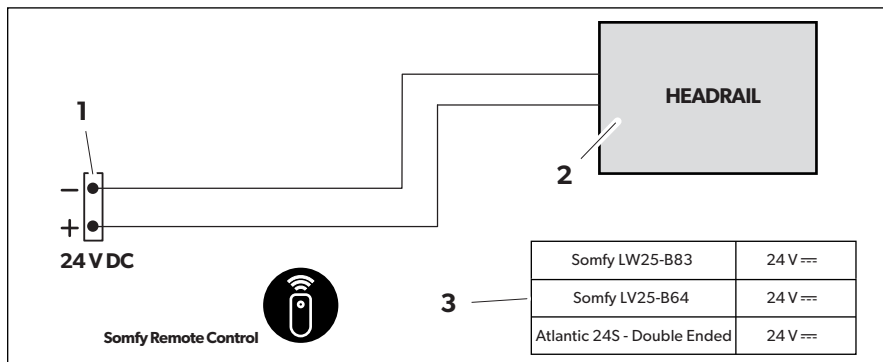
Rullgardin med manuell styrning



Somfy RTS-styrd rullgardin extern mottagare



Somfy RTS-styrd rullgardin intern mottagare



Teckenförklaring till kopplingscheman

Pos.	Beskrivning
1	Strömförsörjning
2	Huvudskena
3	Motoralternativ huvudskena
4	Extern mottagare
5	DPDT-brytare hos kunden (dubbelpolig, tvåvägsomkastare), excentrisk, fast-låst eller tillfällig, 12/24 V \approx , 3 A
bk	svart
rd	röd
gy	grå
wh	vit



ANVISNING

- Tillbehör finns tillgängliga genom det separata beställningsformuläret.
- Beakta gällande dokument för reglagen och manöverelementen.

8 Användning



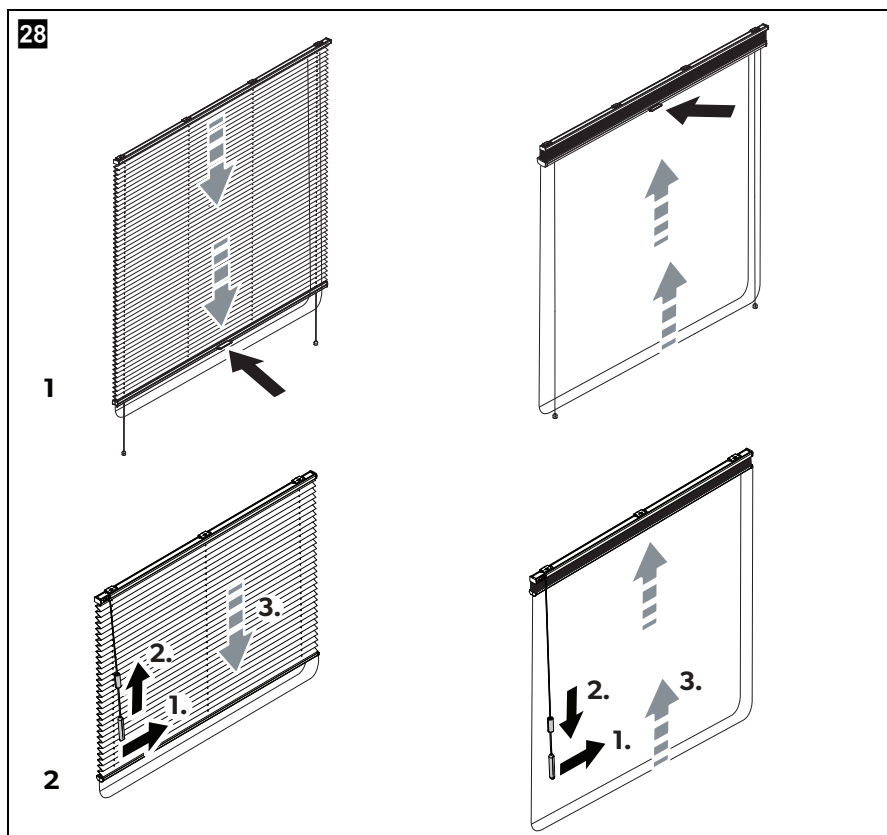
AKTA! Risk för personskada

Gäller endast för båtar eller segelbåtar: Om rullgardinen är placerad framför ett öppet fönster ska man rulla upp rullgardinen om man kör snabbare än 10 knop eller om sjöförhållandena är mer än måttligt svåra, eftersom rullgardinen annars kan skadas. Delar som lossnar riskerar att skada personer i omgivningen.

8.1 Använda manuella rullgardiner

Rullgardinen kan flyttas till valfri position med handtaget.

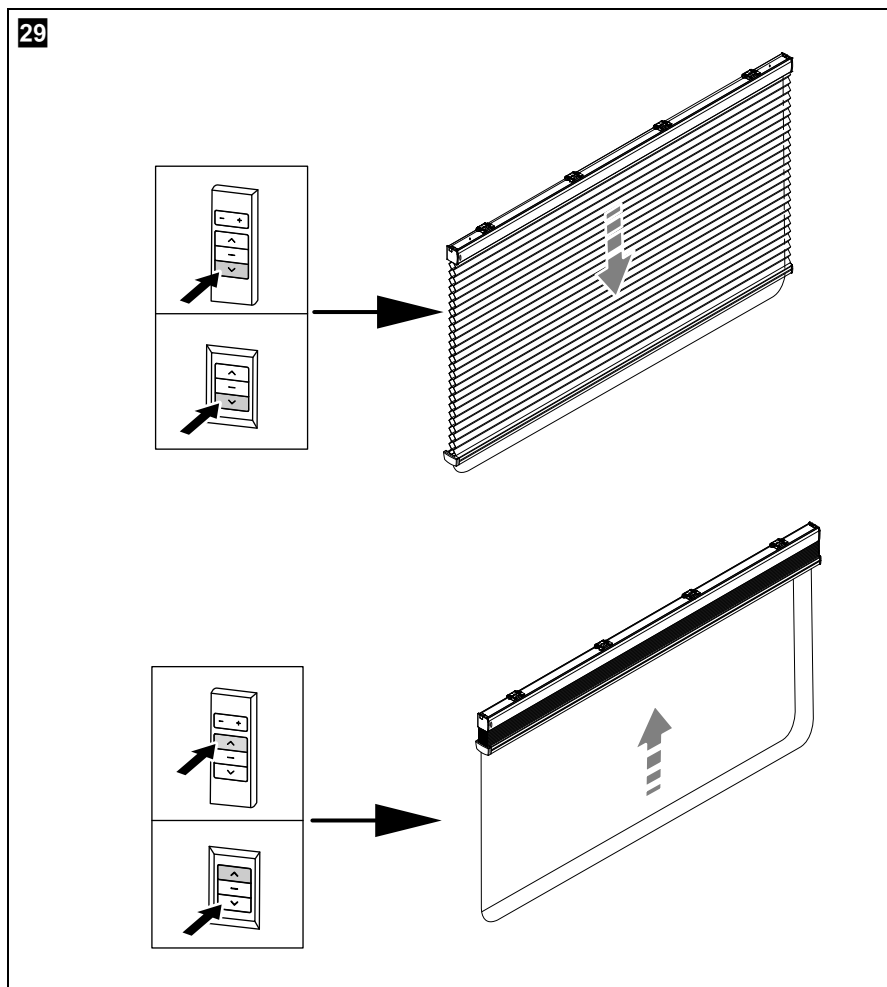
- Följ anvisningarna på bilderna för att använda den manuella rullgardinen.



8.2 Använda eldrivna rullgardiner

Observera följande anvisningar:

- Det är möjligt att stoppa alla rullgardiner i vilket läge som helst.
 - När man manövrerar rullgardinen med hjälp av ett automatiseringssystem styrs manövreringen av kontrollernas programmering.
 - Rullgardinen är fabriksinställd på att stanna automatiskt:
 - När rullgardinen är fullständigt nedrullad
 - När rullgardinen är fullständigt upprullad
- Följ anvisningarna på bilderna för att använda den eldrivna rullgardinen.



**ANVISNING**

Motorerna har en inbyggd värmesäkring som återställer sig själv av säkerhets skäl. Säkringen kan lösa ut på grund av alltför lång användning eller överbelastning av rullgardinen. Om detta händer, låt motorn svalna i upp till en halvtimme.

9 Rengöring och skötsel

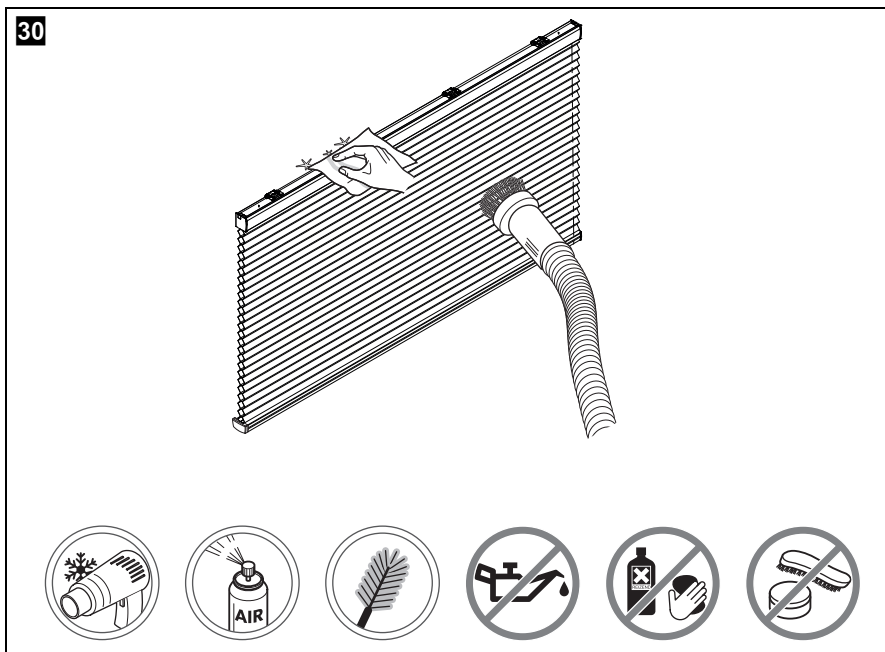
**WARNING! Risk för personskada**

Eldrivna rullgardiner: Vidta lämpliga åtgärder för rullgardiner som kan fjärrstyras av någon som inte ser den, för att förhindra att rullgardinen används medan underhåll som fönsterputsning eller väggvättning utförs i närheten.

**OBSERVERA! Risk för skada**

- Smörj, olja eller fetta inte in rullgardinen. Smörjmedel skadar tyget.
- Om du gnuggar kan tyget skadas.
- Om man rengör på en viss plats kan platsen bli renare än omgivningen.
- Blötlägg inte rullgardinerna.
- Tillverkaren rekommenderar att man först provar alla rengöringsmedel på ett ställe som inte syns.

► Följ anvisningarna på bilderna för att ta rengöra rullgardinen.



10 Felsökning

Fel	Åtgärd
För svagt spänd	► Se kapitel "Installation" på sidan 248.
Spänd rullgardin går inte smidigt	► Kontrollera åtdragningslägen och måtten för urtagen.
Eldrivna rullgardiner:	
Rullgardinen stannar i fel läge	► Observera bruksanvisningen till styrutrustningen.

Fel	Åtgärd
Olika rullgardiner rullar med olika hastigheter	▶ Observera bruksanvisningen till styrutrustningen.
Eldriven rullgardin fungerar inte	▶ Vid lång eller upprepad användning kan den inbyggda värmesäkringens aktiveras. Låt motorn svalna i 20 minuter och gör ett nytt försök. ▶ Kontrollera att rullgardinen försörjs med ström. ▶ Kontrollera om kablarna som försörjer motorn med spänning är korrekt dragna. ▶ Om strömförsörjningen har kontrollerats och motorn ändå är defekt, kontakta Dometic.

11 Garanti

Se avsnitten nedan för information om garanti och garantisupport.

11.1 Australien och Nya Zeeland

Kontakta din återförsäljare eller tillverkarens avdelningskontor i ditt land om produkten inte fungerar enligt förväntan (se dometic.com/dealer). Produktgarantin gäller i 1 år.

Vid reparations- och garantiärenden ska följande dokument skickas med när du returnerar produkten:

- En kopia på fakturan med inköpsdatum
- En reklamationsbeskrivning eller felbeskrivning

Gäller endast för Australien

Enligt australiensisk lagstiftning kan våra produktgarantier inte undantas. Du har rätt till utbyte eller återbetalning vid ett omfattande fel och att få ersättning för alla övriga förluster eller skador som skulle kunna förutses. Du har också rätt att få produkterna reparerade eller utbytta om produkterna inte uppvisar en godtagbar kvalitet och felet inte utgör ett omfattande fel.

Gäller endast för Nya Zeeland

Den här garantipolicyn lyder under de obligatoriska villkoren och garantierna enligt den mening som är avsedd i Consumer Guarantees Act 1993(NZ) (ungefär: lagen om konsumentgaranti).

Lokal support

Lokal support finns på: dometic.com/dealer

11.2 USA och Kanada

BEGRÄNSAD GARANTI FINNS PÅ
DOMETIC.COM/WARRANTY.

OM DU HAR NÅGRA FRÅGOR ELLER OM DU VILL HA EN GRATIS KOPIA AV DEN
BEGRÄNSADE GARANTIN, KONTAKTA:

DOMETIC CORPORATION
CUSTOMER SUPPORT CENTER
2320 INDUSTRIAL PARKWAY
ELKHART, INDIANA 46516
1-800-544-4881
customersupportcenter@dometic.com

11.3 Alla övriga regioner

Den lagstadgade garantitiden gäller. Kontakta tillverkarens representant i din region eller din återförsäljare om produkten är defekt (dometic.com/dealer).

Vid reparations- och garantiärenden ska följande dokument skickas med när du returnerar produkten:

- En kopia på fakturan med inköpsdatum
- En reklamationsbeskrivning eller felbeskrivning

Observera att självständiga eller icke professionella reparationer kan påverka säkerheten och leda till att garantin blir ogiltig.

12 Avfallshantering

12.1 Australien och Nya Zeeland



- ▶ Lämna om möjligt förpackningsmaterialet till återvinning.
- ▶ Konsultera ett lokalt återvinningscenter eller en specialiserad återförsäljare för information om hur man bortkaffar produkten i enlighet med tillämpliga bortskaffningsförfordningar.

12.2 Alla övriga regioner



- ▶ Lämna om möjligt förpackningsmaterialet till återvinning.
- ▶ Konsultera ett lokalt återvinningscenter eller en specialiserad återförsäljare för information om hur man bortkaffar produkten i enlighet med tillämpliga bortskaffningsförfordningar.
- ▶ Produkten kan kasseras utan avgift.

Vennligst les disse instruksjonene nøye og følg alle anvisninger, retningslinjer og advarsler i denne produktveiledningen for å sikre at du installerer, bruker og vedlikeholder produktet ordentlig til enhver tid. Disse instruksjonene MÅ alltid følge med produktet.

Ved å bruke dette produktet bekrefter du at du har lest alle anvisninger, retningslinjer og advarsler grundig, og at du forstår og samtykker i å overholde vilkårene slik de er presentert her. Du godtar å bruke dette produktet kun til tiltenkt formål og bruksområder, og i samsvar med anvisningene, retningslinjene og advarslene slik de er presentert i denne produktveiledningen, så vel som i samsvar med alle gjeldende lovbestemmelser og forskrifter. Hvis anvisningene og advarslene som er presentert her, ikke blir lest og fulgt, kan det føre til personskader hos deg selv eller andre, skader på produktet eller skader på annen eiendom i nærheten. Denne produktveiledningen med sine anvisninger, retningslinjer og advarsler, samt relatert dokumentasjon, kan være underlagt endringer og oppdateringer. For oppdatert produktinformasjon, se documents.dometic.com.

Innholdsfortegnelse

1	Symbolforklaring	275
2	Sikkerhetsinstruksjoner	276
3	Leveringsomfang	279
4	Tilbehør	281
5	Forskriftsmessig bruk	281
6	Teknisk beskrivelse	282
7	Montasje	282
8	Betjening	302
9	Rengjøring og vedlikehold	304
10	Feilretting	305
11	Garanti	306
12	Avfallshåndtering	308

1 Symbolforklaring



ADVARSEL!

Sikkerhetsregel: Kjennetegner en farlig situasjon som - dersom den ikke unngås - kan resultere i alvorlige personskader, eventuelt med døden til følge.



FORSIKTIG!

Sikkerhetsregel: Kjennetegner en farlig situasjon som - dersom den ikke unngås - kan resultere i mindre til moderate personskader.

**PASS PÅ!**

Kjennetegner en situasjon som - dersom den ikke unngås - kan resultere i materielle skader.

**MERK**

Ytterligere informasjon om betjening av produktet.

2 Sikkerhetsinstruksjoner



ADVARSEL! Manglende overholdelse av disse advarslene kan resultere i alvorlige personskader, eventuelt med døden til følge.

Fare for elektrisk støt (kun for motordrevne persiennner)

- Apparatet må ikke tas i bruk hvis det har synlige skader.
- Hvis tilkoblingskabelen på dette apparatet blir skadet, må den erstattes av produsenten, kundeservice eller annen kvalifisert eller kompetent person for å unngå farlige situasjoner.
- Usakkyndige reparasjoner kan føre til alvorlige farer.
- Frakoble gardinen fra strømforsyningen før det utføres vedlikehold.

Helsefare

- Viktige sikkerhetsregler. Det er viktig å følge disse reglene for person-sikkerhet. Behold disse reglene.
- Dette apparatet kan brukes av barn fra 8 år og oppover og personer med reduserte fysiske, sensoriske eller mentale evner eller som mangler erfaring og kunnskap, hvis de er under oppsyn eller har fått veiledning i hvordan apparatet brukes på en forsvarlig måte og forstår hvilke farer det innebærer.
- Barn må ikke leke med apparatet.
- Rengjøring og vedlikehold skal ikke utføres av barn uten at de er under oppsyn.
- Persiennene skal pakkes bort før manøvrering for å sikre at de ikke hindrer sjåførens synsfelt.

- **Kun for motordrevne persiener:**
 - Motordrevne persiener må ikke monteres under rømningsluker.
 - Endringer på utstyrets utforming eller konfigurasjon uten forutgående uttrykkelig samtykke fra produsenten kan føre til farlige situasjoner.
 - Ikke la barn leke med betjeningsenheten for den innvendige persiennen. Fjernkontroller må holdes utenfor barns rekkevidde.
 - Undersøk installasjonen regelmessig med henblikk på eventuelle tegn til slitasje og skader på kablene. Stans all bruk dersom reparasjoner er nødvendig.
 - Ikke bruk når vedlikehold, for eksempel vindusvask, utføres i nærheten.

Kvelningsfare



- Unge barn kan kveles av løkker i trekksnorer, kjettinger, bånd eller innvendige tråder for betjening av produktet.
- For å forhindre kvelning og fastvikling må snorene holdes utenfor småbarns rekkevidde. Snorer kan slynges rundt barns hals.
- Flytt senger, barnesenger og møbler bort fra vinduer med slike snorer.
- Ikke knytt sammen snorer. Unngå tvinn og løkkedannelse på snorene.

Kvelningsfare

- Dette produktet inneholder små deler. Hold det unna barn under 3 år.
- Emballasjen inkluderer plastposer. Hold den unna barn under 3 år.



FORSIKTIG! Manglende overholdelse av disse forsiktighetsvarslene kan resultere i mindre til moderate personskader.

Fare for personskader



- Apparatet må bare installeres, fjernes eller repareres av kvalifiserte eller kompetente personer ved hjelp av egnet festemateriale.
- Ta nødvendige forholdsregler ved montering av persiennen og bruk egnet personlig verneutstyr.
- **For bruk i båter:** Hvis gardinen befinner seg foran et åpent vindu, bør den trekkes opp når man kjører raskere enn 10 knop eller i ved røff sjø, ettersom det da kan oppstå skader på gardinen. Deler som løsner, kan komme til å skade personer i omgivelsene.

**PASS PÅ!****Fare for skader**

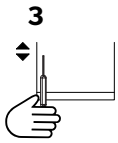
- Persiennene må alltid trekkes helt opp når båten eller kjøretøyet er underveis.
- Benytt skruer og plugger som er egnet for veggkonstruksjonen, for å feste gardinen.
- Pass på at du ikke borer gjennom veggen.
- Sørg for at hendene er rene eller bruk egnede hansker for å unngå å sette merker på stoffet.
- **Kun for motordrevne persienner:**
 - Kontrollen at spenningsspesifikasjonen på kabeletiketten stemmer overens med den foreliggende strømforsyningen.
 - Bruk kun kabler med passende tverrsnitt.

3 Leveringsomfang


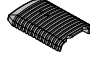


1



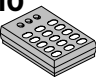
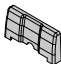
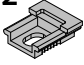







2

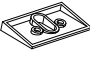



3

4 	5 
6 	7 

8 	9 
10 	11 
12 	13 2x 

14 	15 
16 	

17 	18 
--	--

Posisjon i fig. 1	Antall	Beskrivelse
1 – 3	1	Gardinenhet Design avhengig av modellen, f.eks. motordrevet eller manuell, fritthengende eller fastspent, versjon med 2 eller 3 stenger
4	Avhengig av persienne- størrelsen	Toppskinnebrakett og motordrevet persienne
5	Avhengig av persienne- størrelsen	L-brakettdeksel (tilleggsalternativ for frontmontering)
6	Avhengig av persienne- størrelsen	Brakettsett for versjon med 3 stenger (tilleggsalternativ for frontmontering)
7	Avhengig av persienne- størrelsen	Brakettsett for versjon med 3 stenger (tilleggsalternativ for innfelt montering)
8, 14	Avhengig av persienne- størrelsen	Toppskinnebrakett for manuelle persiener
9	Avhengig av persienne- størrelsen	Bunnplateholder
10	2	Bunnplate (tilleggsalternativ for frontmontering eller innfelt montering, kun for versjon med 2 stenger)
11	Avhengig av persienne- størrelsen	L-brakettdeksel
12	Avhengig av persiennens størrelse og vinkel	Bunnplatefeste (tilleggsalternativ for frontmontering eller innfelt montering, kun for versjon med 2 stenger)
13	1	Kuppelholdersett (tilleggsalternativ for versjon med 2 stenger, festet til den medfølgende persiennen)
15	1	Pinne/rørstykke
16	1	Holder for håndtak
17 – 18	Tilleggsalternativ	Avstandsstykker for posisjonering av persiennen (tilleggsalternativ)

4 Tilbehør

Tilbehør kan anskaffes via det separate bestillingsskjemaet. Ditt autoriserte kundesenter finner du på dometic.com.

5 Forskriftsmessig bruk

Persiennen er egnet for:

- Montering i fritidsbåter
- Montering i campingbiler og bobiler

Persiennene har spesialtilpasset utforming og størrelse. Stoffet i persiennene skjæres til etter kundens spesifikasjoner.

Persiennene er kun ment for innendørs bruk, og skal ikke monteres i bad, våtrom eller andre steder med høy luftfuktighet.

Dette produktet er kun egnet for det tiltenkte formålet og bruksområdet i samsvar med disse instruksjonene.

Denne veiledningen gir informasjon som er nødvendig for korrekt installasjon og/eller bruk av produktet. Feilaktig installasjon og/eller ukorrekt bruk eller vedlikehold vil resultere i en utilfredsstillende ytelse og mulig svikt.

Produsenten fraskriver seg ethvert ansvar for personskader eller materielle skader på produktet som følge av:

- Ukorrekt montering eller tilkobling, inkludert for høy spenning
- Ukorrekt vedlikehold eller bruk av andre reservedeler enn originale reservedeler levert av produsenten
- Modifisering av produktet uten at det er gitt uttrykkelig godkjenning av produsenten
- Bruk til andre formål enn beskrevet i denne veiledningen

Dometic forbeholder seg rettigheten til å endre produktet ytre og produktspesifikasjoner.

6 Teknisk beskrivelse

Persiennen er tilgjengelig med ulike typer betjening:

- Manuell, fastspent
- Manuell, fritthengende
- Motordrevet, fastspent
- Motordrevet, fritthengende

Fastspente modeller krever festing av snorer på den motsatte siden av toppskinnen:

- Versjon med tre stenger holdt av braketter
- Versjon med to stenger holdt av nedholderalternativer



MERK

Kontroller at persiennetyper og leveringsomfanget stemmer overens med bestillingsbekreftelsen etter levering. Nummeret på produktetiketten som viser persiennetyper er plassert på baksiden av toppskinnen. Tilpassede leverte par kan se svært like ut.

7 Montasje



FORSIKTIG! Fare for personskader

Viktige sikkerhetsregler. Følg alle instruksjoner, da feilmontering kan føre til alvorlige skader.

7.1 Montere toppskinnen



ADVARSEL!

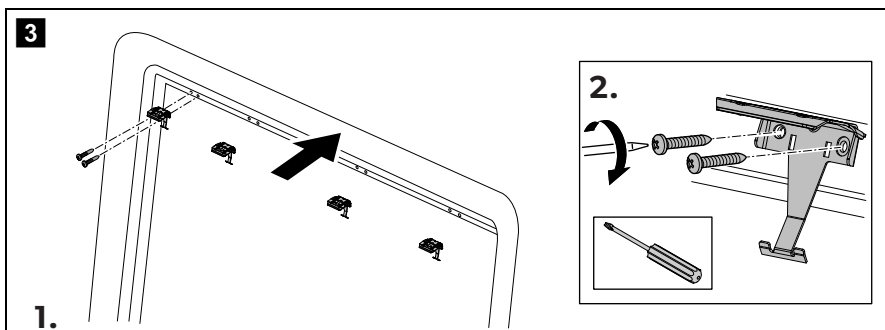
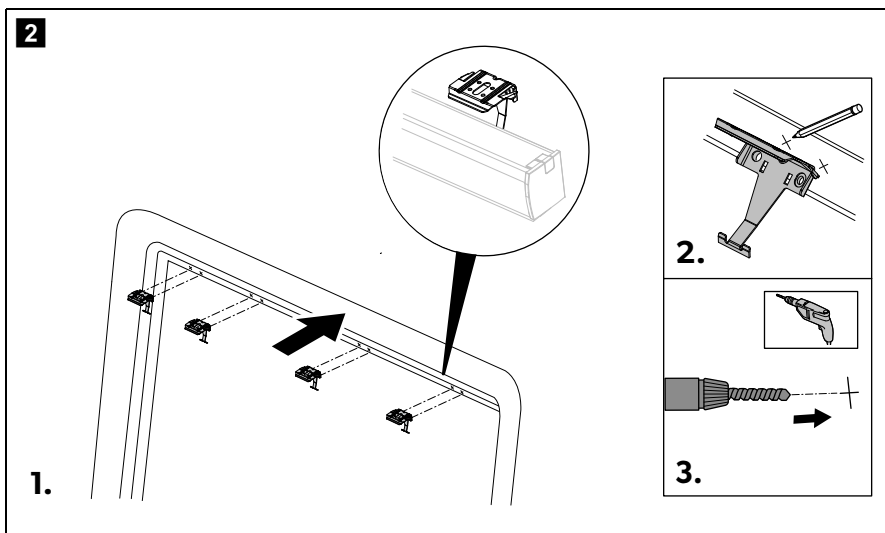
Motordrevne persiener: Frakoble strømforsyningen før du begynner og forsikre deg om at den ikke kan tilkobles igjen før monteringen er fullført.

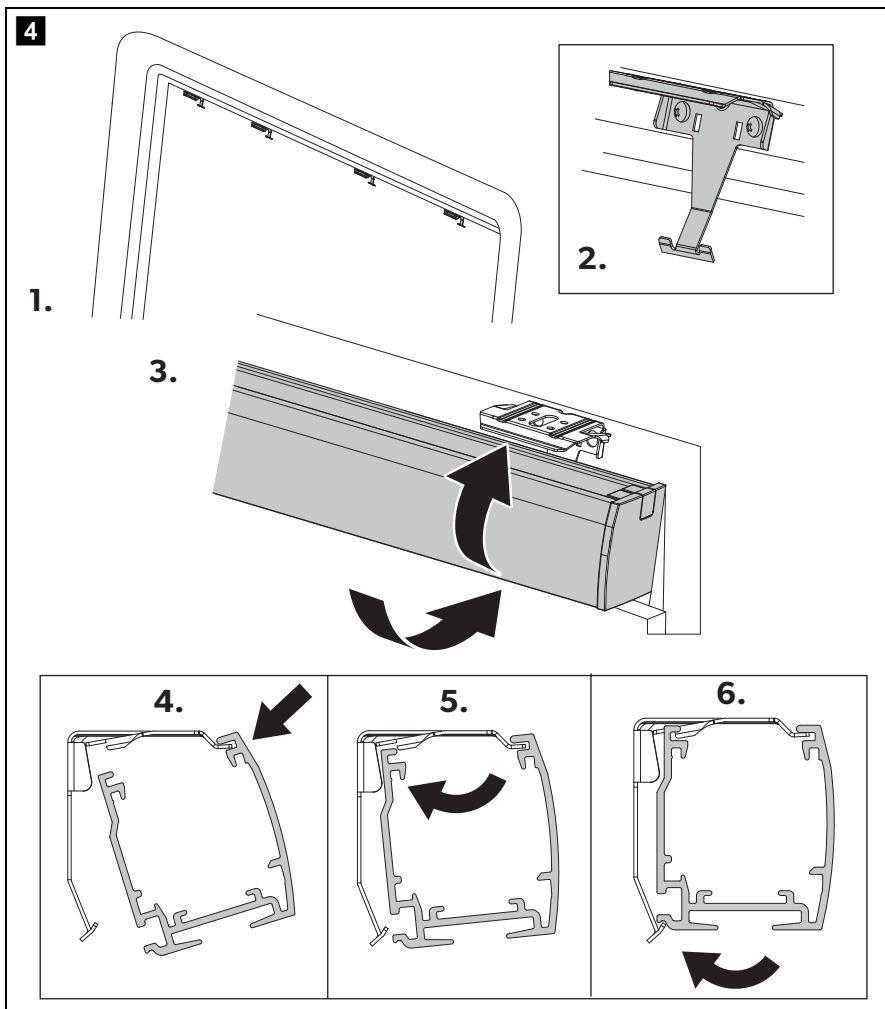
Persiennen kan monteres med forsiden festet foran en vegg, i en åpning i veggen eller til taket. Toppskinnen kan monteres i toppen eller bunnen av vinduet. Det er ulike toppskinner for motordrevne og manuelle persiener.

Rekkefølgende på monteringen av persiennekomponentene kan variere avhengig av plassforholdene på monteringsstedet (f.eks. for å få plass til bunnstangen først).

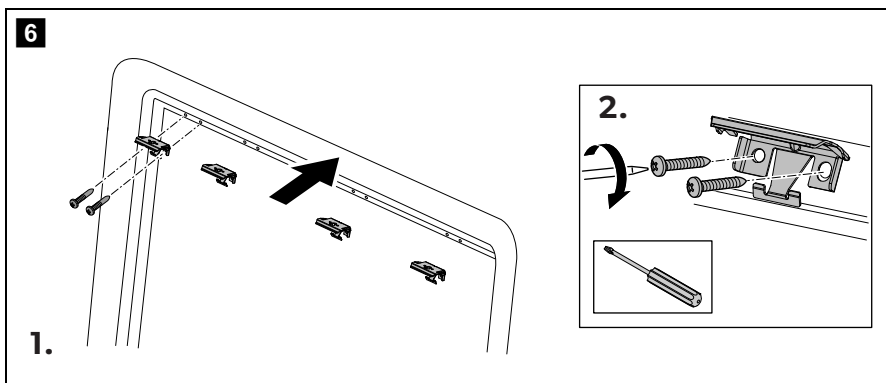
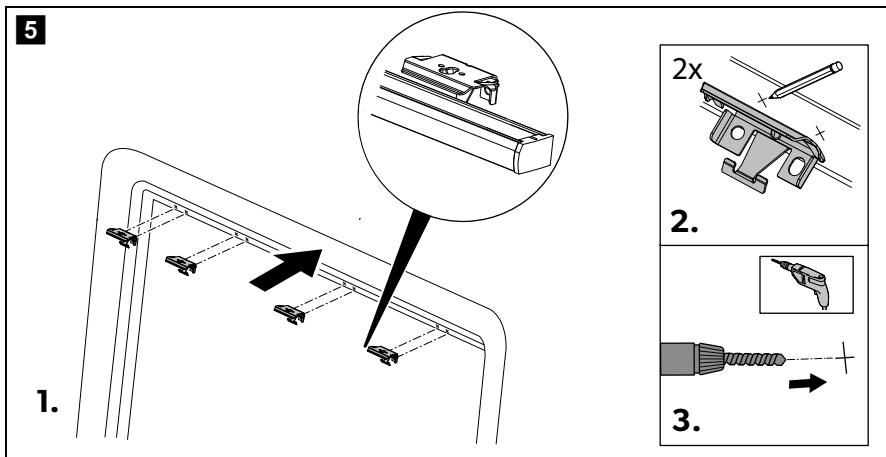
**MERK**

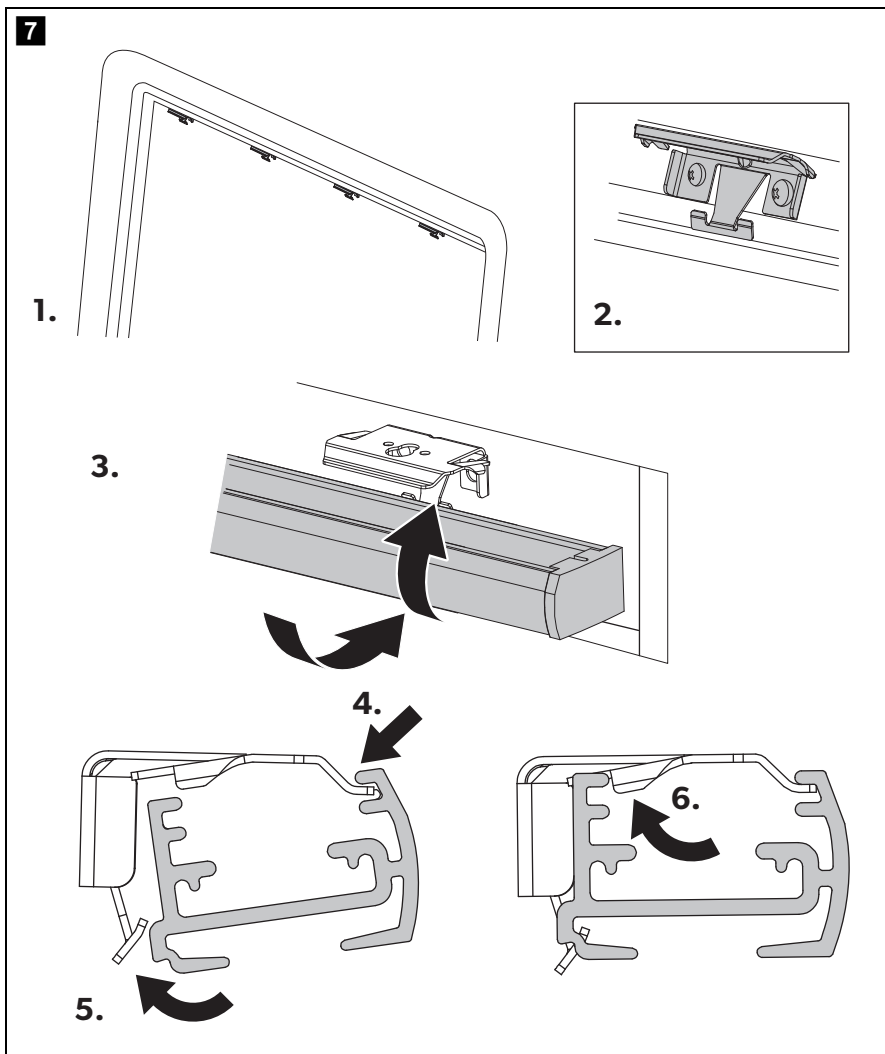
Forsikre deg om at det er tilstrekkelig plass bak brakettene for å få tilgang til åpneklemmen.

Frontmontert motordrevet toppskinne

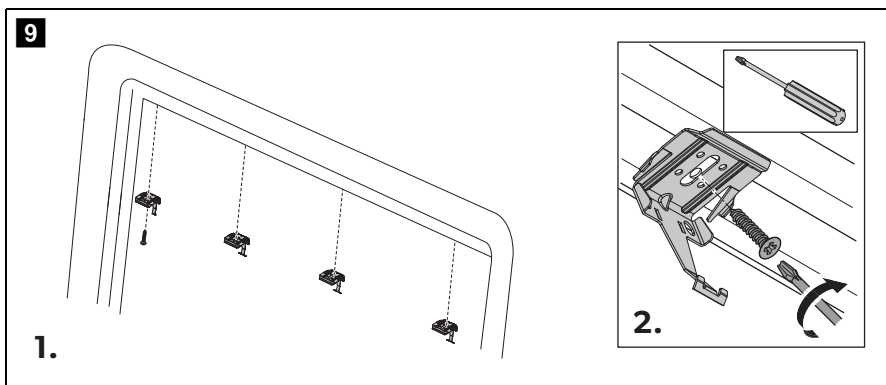
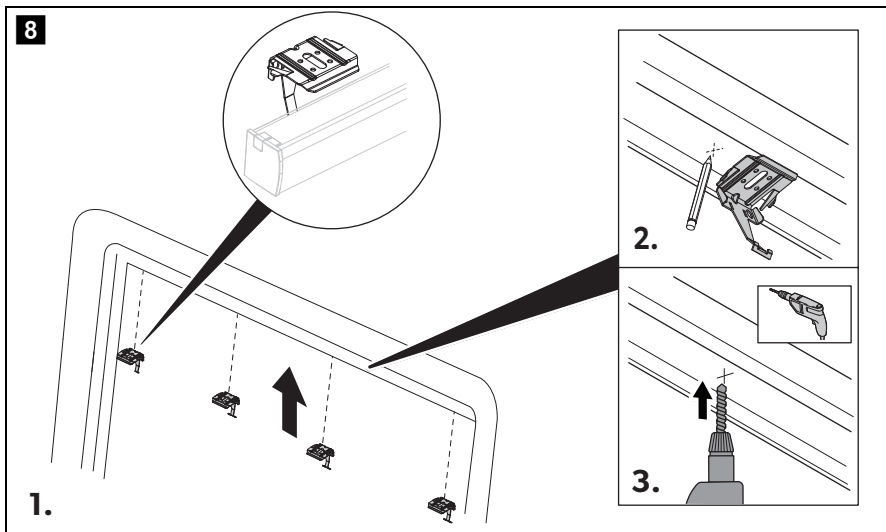


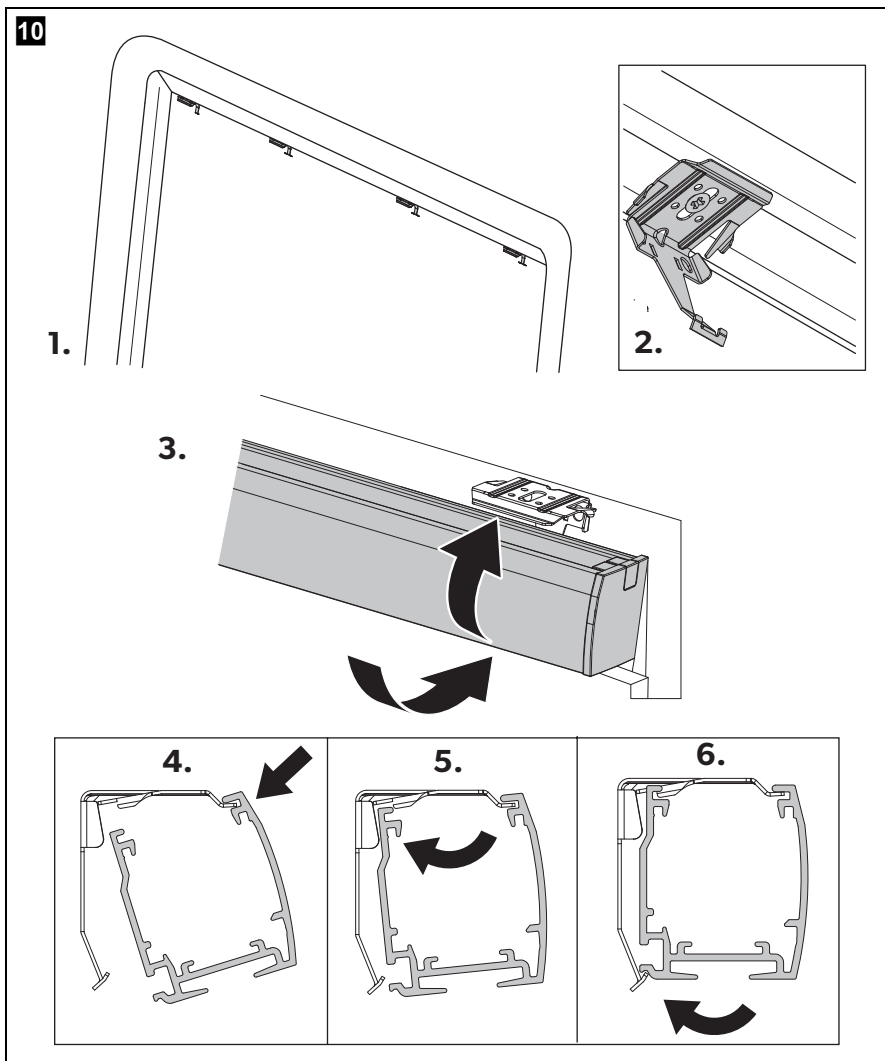
Frontmontert manuell toppskinne



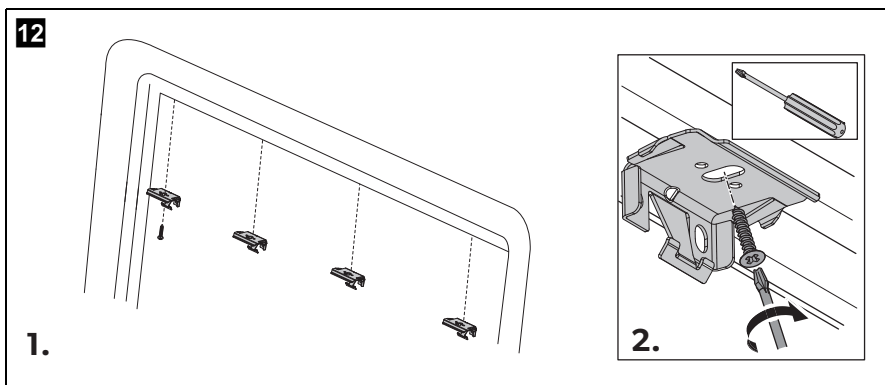
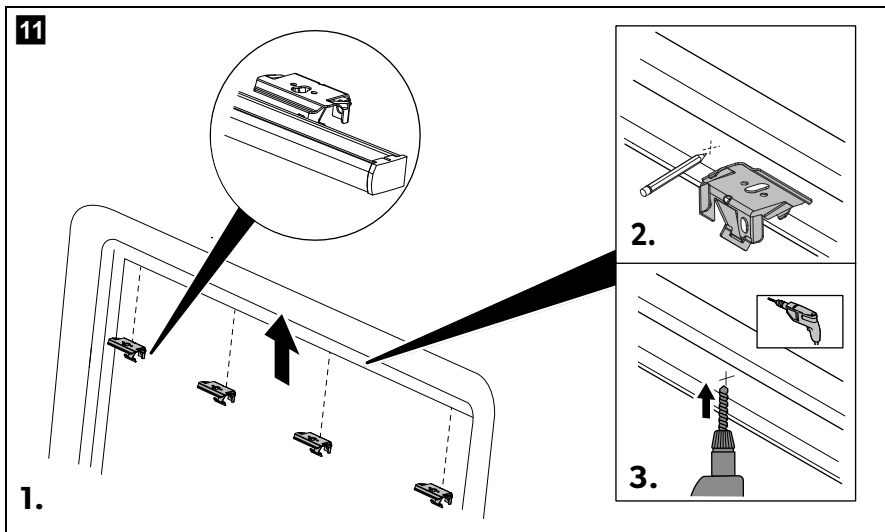


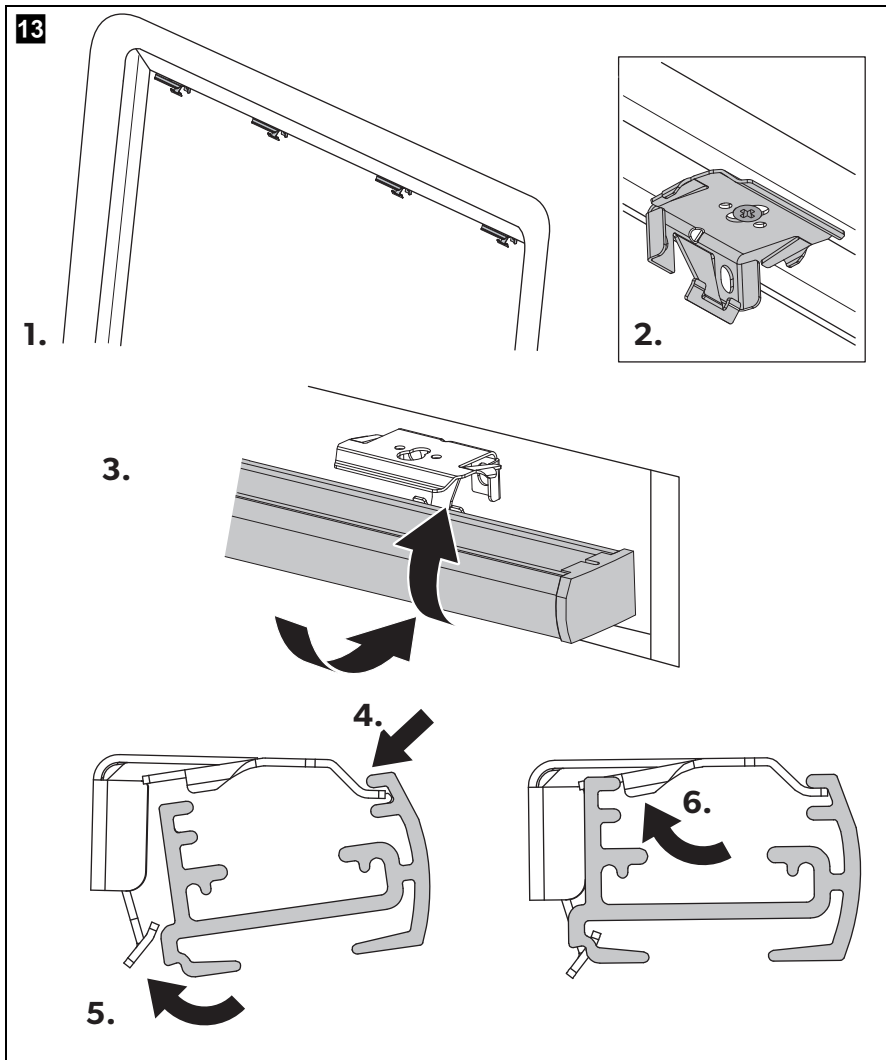
Innfellingsmontert motordrevet toppskinne





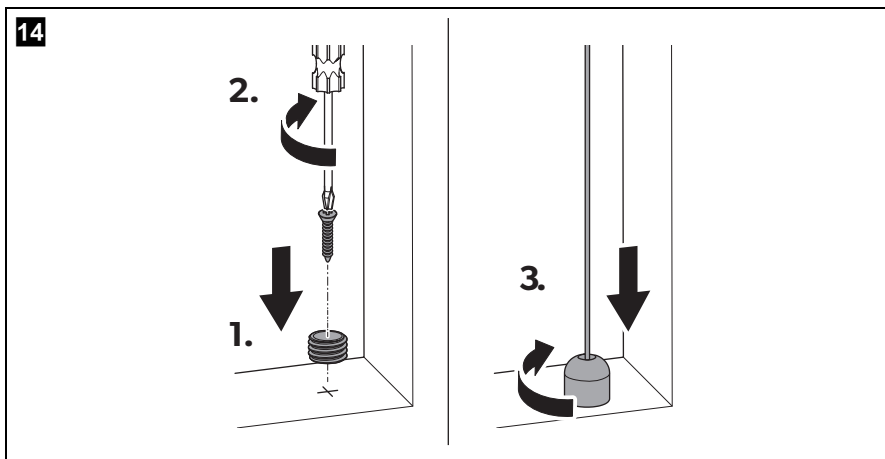
Innfellingsmontert manuell toppskinne



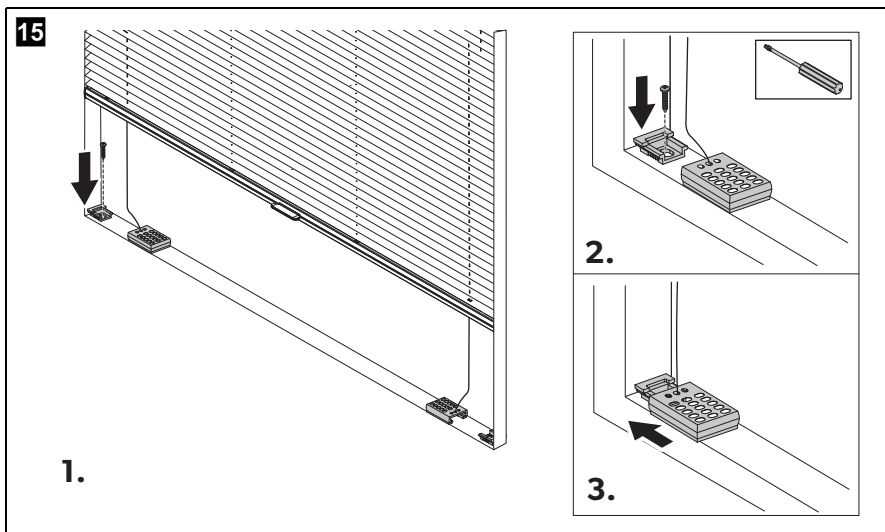


7.2 Feste nedholdere

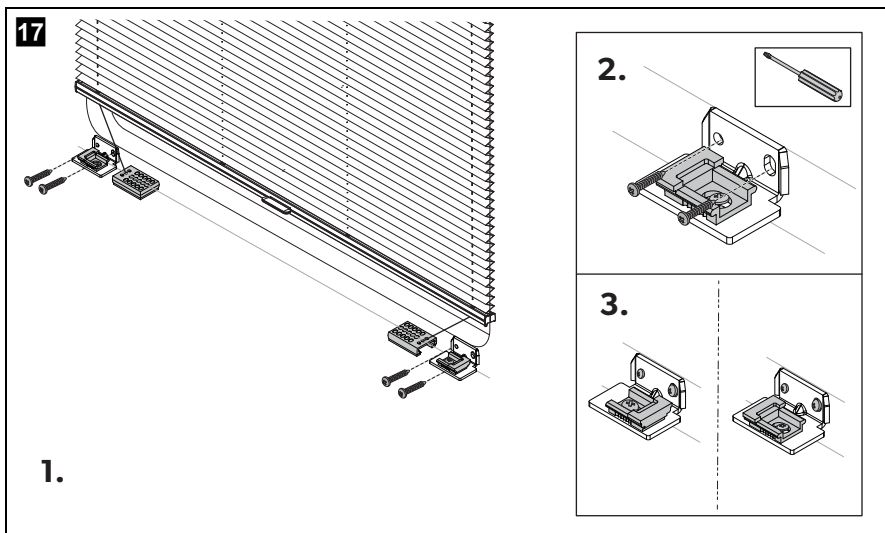
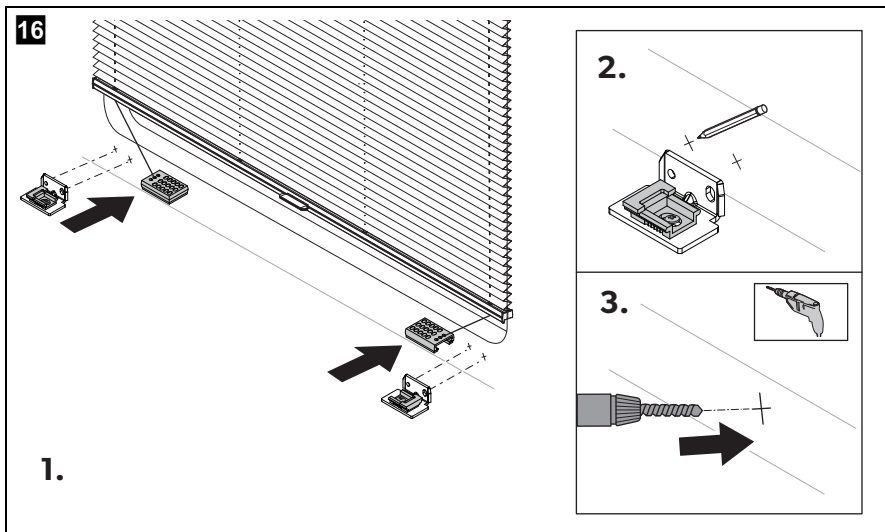
Kuppelnedholder innfelling

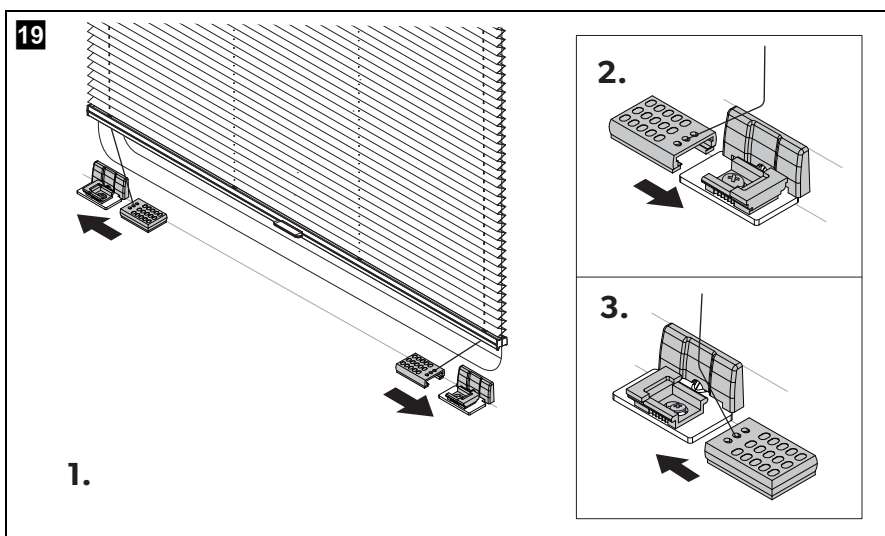
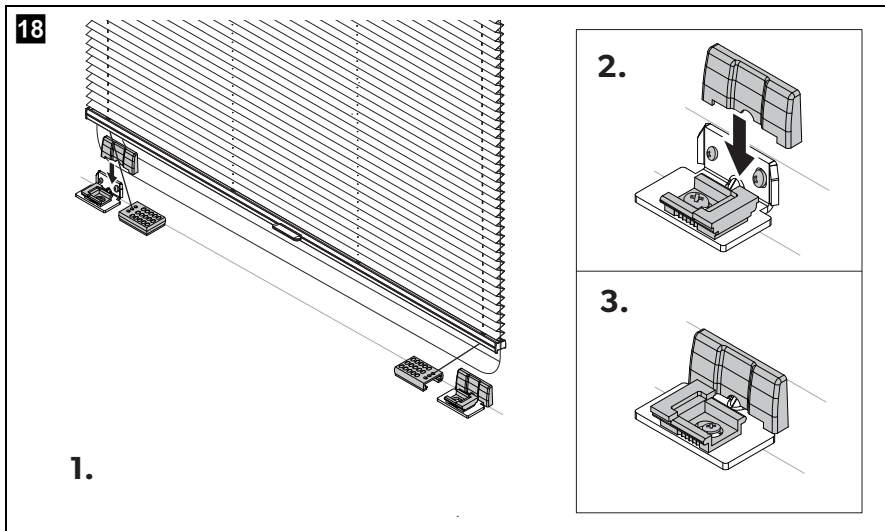


Bunnplatefesting innfelling



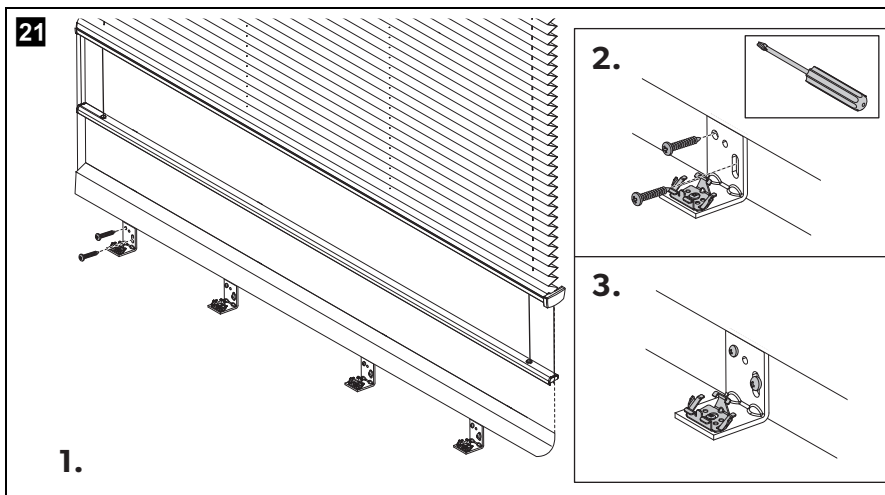
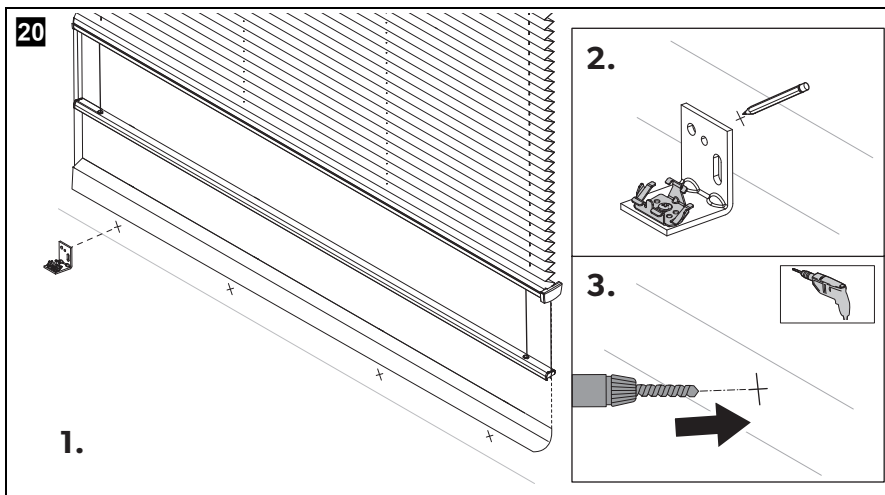
Bunnplate frontmontering

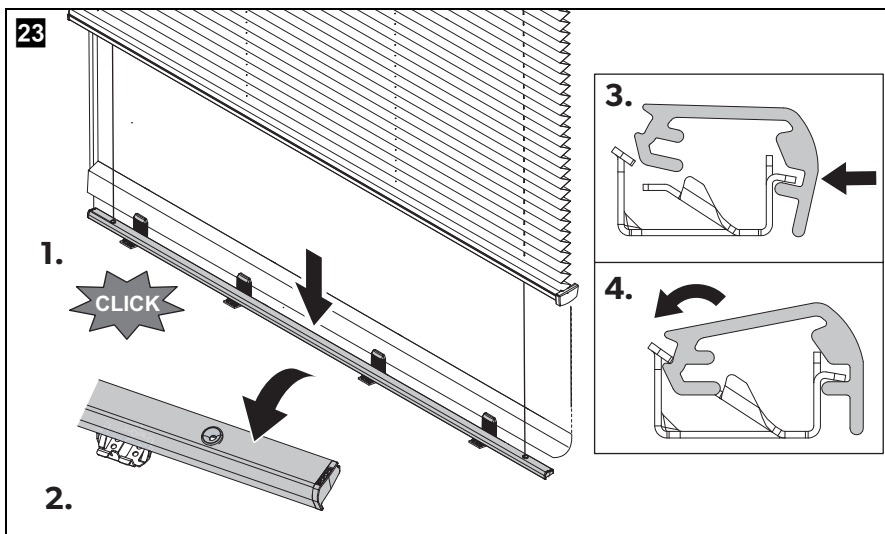
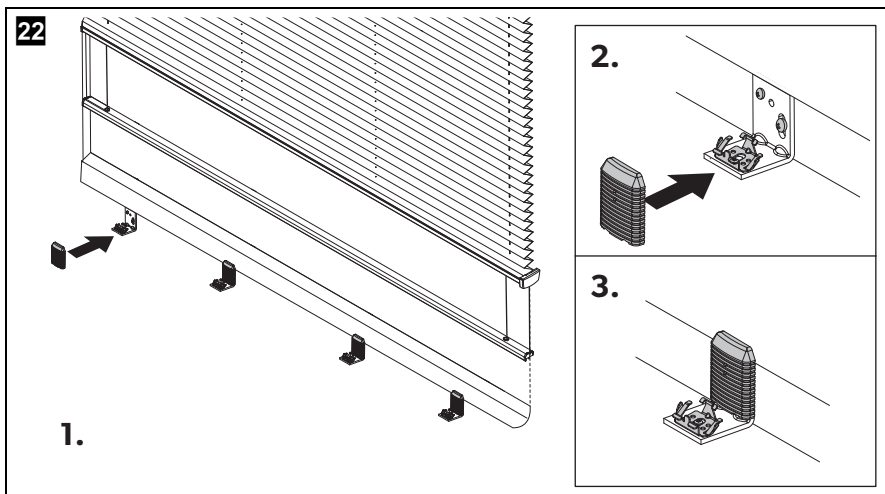




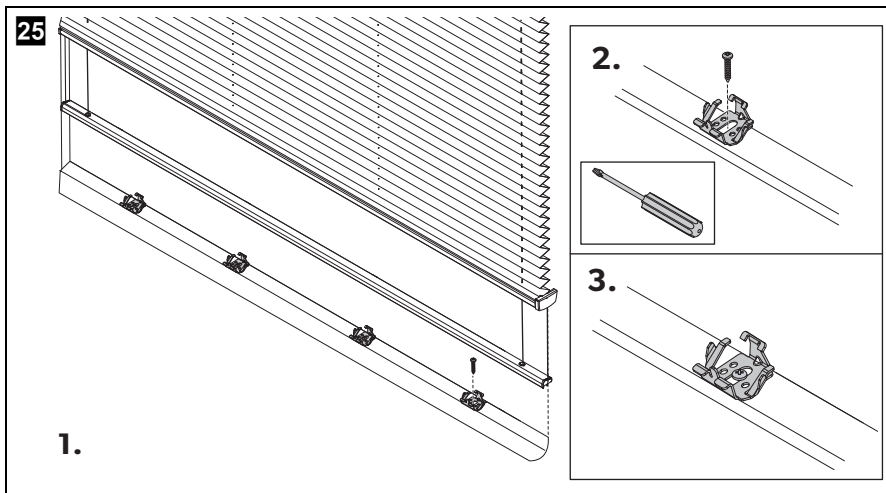
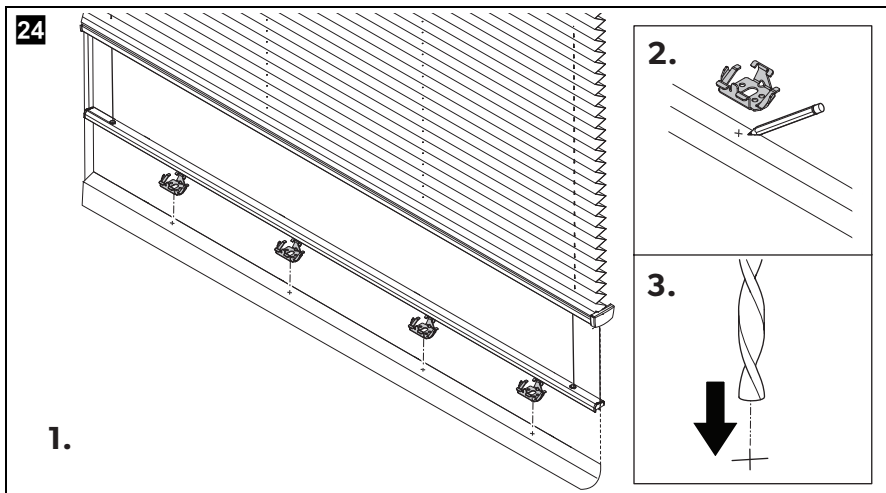
7.3 Feste bunnstangen

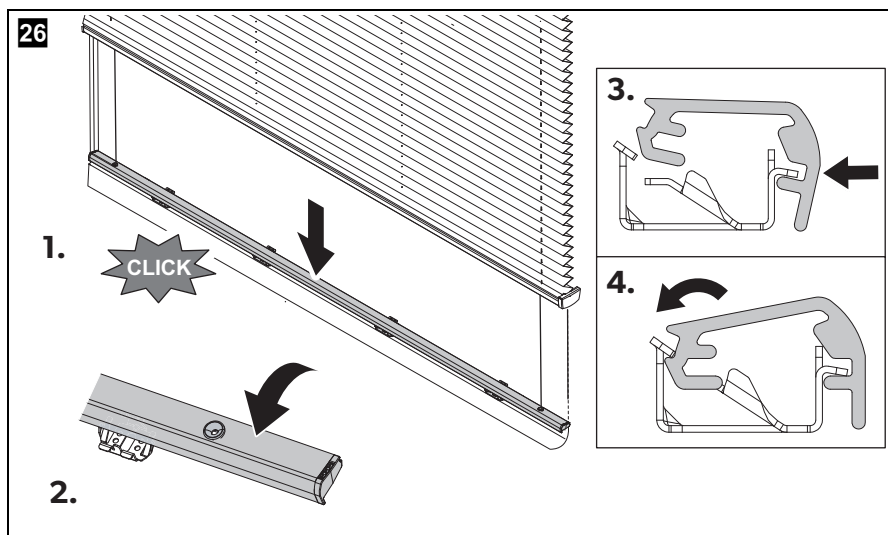
Frontmontert bunnstang



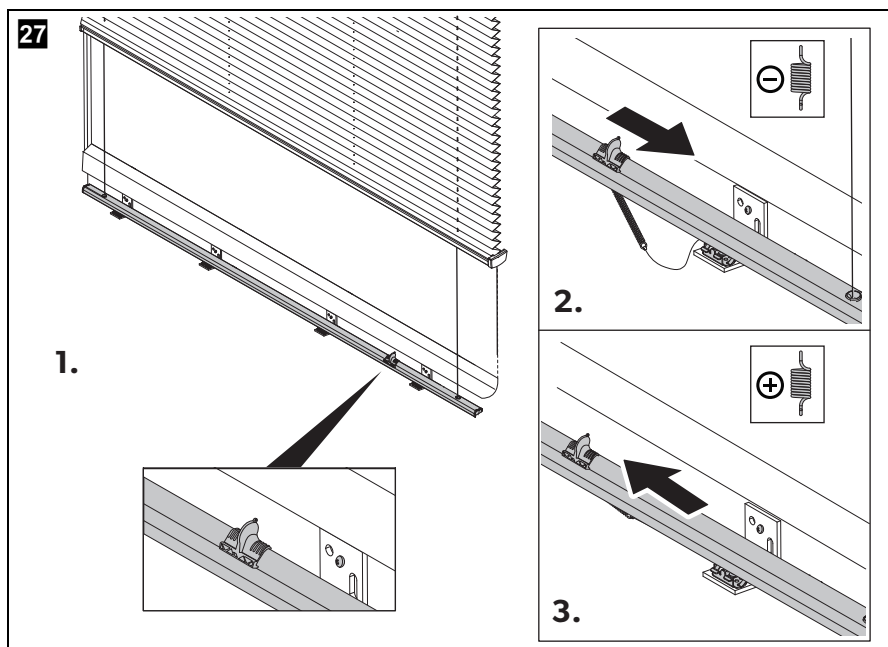


Bunnstang med infelt montering





7.4 Stramme snorene (kun med tilleggsalternativet hurtigstrammer)



7.5 Tilkobling av persiennene (kun for motordrevne persienner)

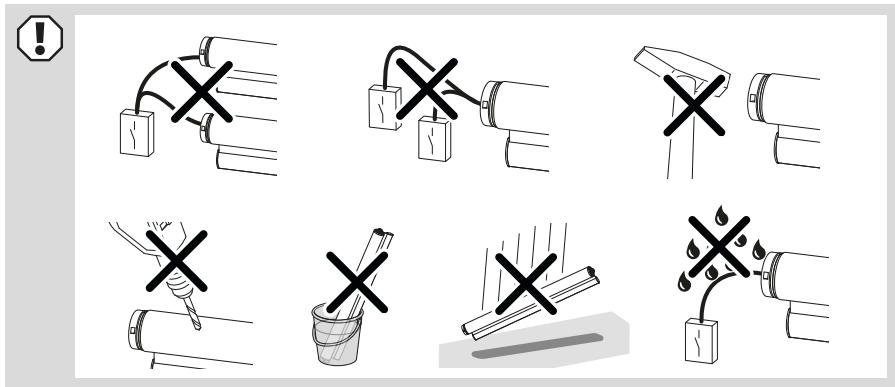


Den elektriske strømforsyningen må opprettes av en kvalifisert fagelektriker som kan fremvise ferdigheter og kunnskaper knyttet til konstruksjon og drift av elektrisk utstyr og installasjoner, og har mottatt sikkerhetstrening for å kunne identifisere og unngå risikoer som er involvert.

Motordrevne persienner er tilgjengelige for 12/24 V $\overline{=}$ strømforsyning. Typeskiltet på toppskinnen inneholder viktig informasjon og spesifikasjoner for motoren for persiennen.

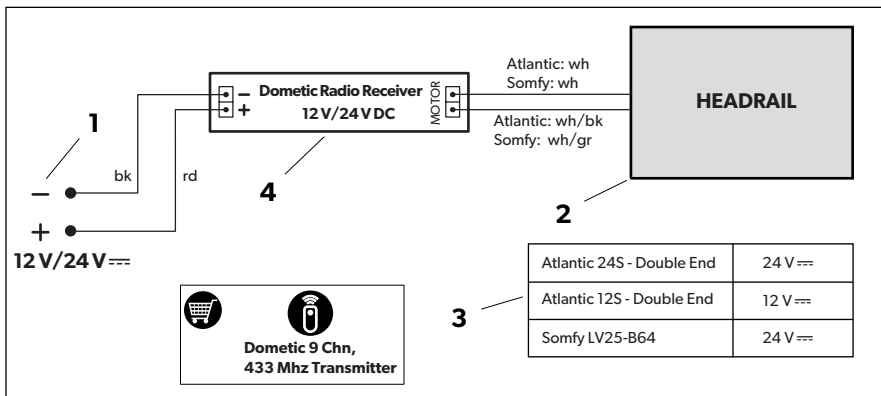
Vær oppmerksom på følgende ved tilkobling av persienner:

- Sikre at kablene ikke kommer til skade under monteringen. Gjennomføring av kabler gjennom vegger eller skillevegger må beskyttes og isoleres med passende bøssinger, gummitetninger eller kabelføringer.
- Sørg for at en stabilisert 12 V eller 24 V strømtilførselsledning er tilgjengelig for drivverket på monteringsstedet. Tilførselsledningen må være lagt opp og sikret på en egnet måte.
- Produktet må kobles til riktig strømforsyning som spesifisert på produktetiketten. Motoren i produktet er konstruert for å stoppe når en innstilt strøm overskrides, men strømforsyningen bør sikres for å beskytte ledningene til produktet.
- Sikre alle kabler for å forhindre kontakt med bevegelige deler.
- Bruk bare strømforsyningsenheter og styreelementer som er anbefalt av produsenten, for å forhindre skader og feil under drift pga. inkompatible elektriske komponenter.
- Styreanordninger (f.eks. brytere) må installeres på synlige steder.
- En regulert strømforsyning med den nødvendige spesifikasjonen kreves per motor, da unnlattelse av dette kan føre til at motoren ikke fungerer som den skal.
- Eventuell justering av innstilte stopposisjoner bør kun gjøres ved å bruke metoden spesifisert for motortypen for å unngå skade på motoren.

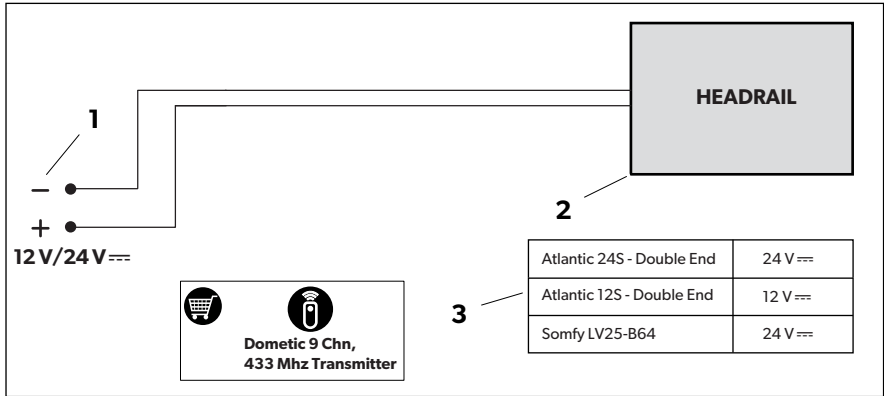


► Koble til motoren som vist i koblingsskjemaene.

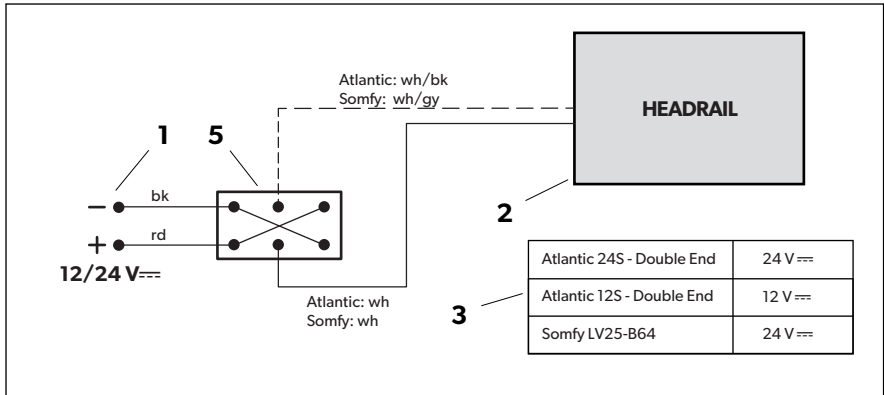
Dometic ekstern radiokontrollert persiennemottaker



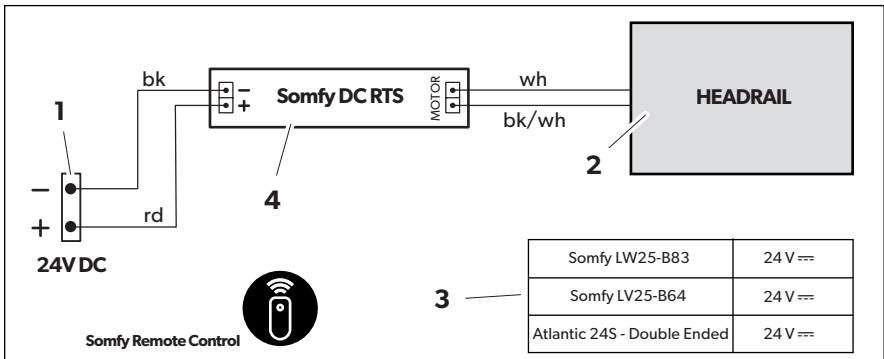
Dometic intern radiokontrollert persiennemottaker

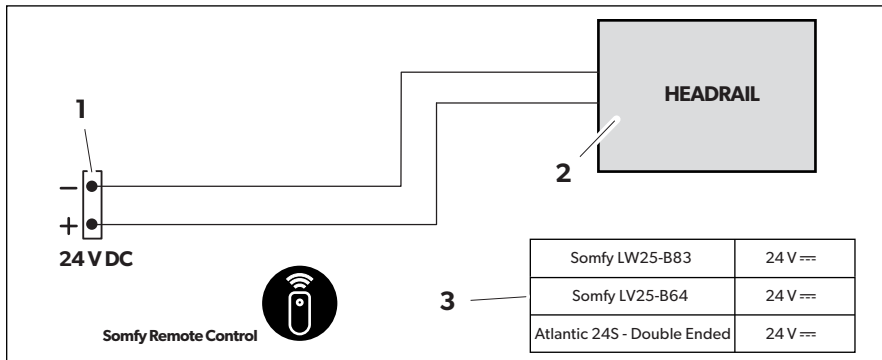


Manuelt betjent persienne



Somfy ekstern RTS-kontrollert persiennemottaker



Somfy intern RTS-kontrollert persiennemottaker**Forklaring til koblingsskjemaer**

Pos.	Beskrivelse
1	Strømforsyning
2	Toppskinne
3	Toppskinne-motoralternativer
4	Ekstern mottaker
5	Kundelevvert DPDT-bryter (dobbelkontakt, totrinns), midt av, låseenhet eller tastebryter, 12/24 V $\overline{=}$, 3 A
bk	svart
rd	rød
gy	grå
wh	hvit

**MERK**

- Tilbehør kan anskaffes via det separate bestillingsskjemaet.
- Følg all dokumentasjon som gjelder for styrings- og betjeningselementer.

8 Betjening



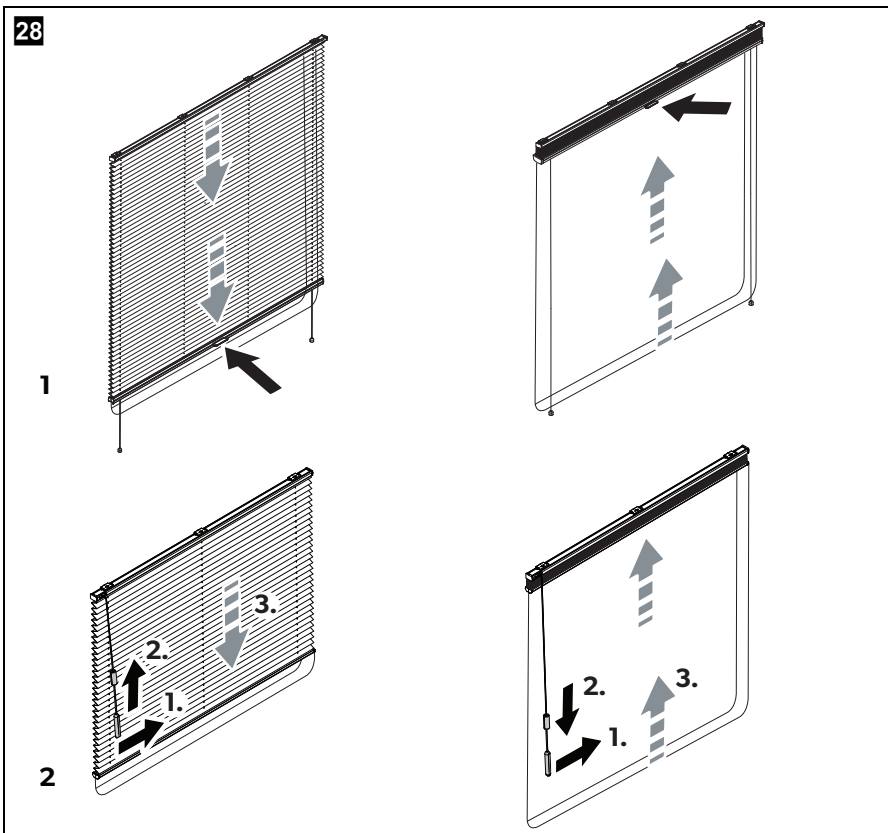
FORSIKTIG! Fare for personskader

For bruk i båter: Hvis gardinen befinner seg foran et åpent vindu, bør den trekkes opp når man kjører raskere enn 10 knop eller i ved røff sjø, ettersom det da kan oppstå skader på gardinen. Deler som løsner, kan komme til å skade personer i omgivelsene.

8.1 Betjene manuelle persiener

Persiennen kan bevegtes til hvilken som helst posisjon med håndtaket.

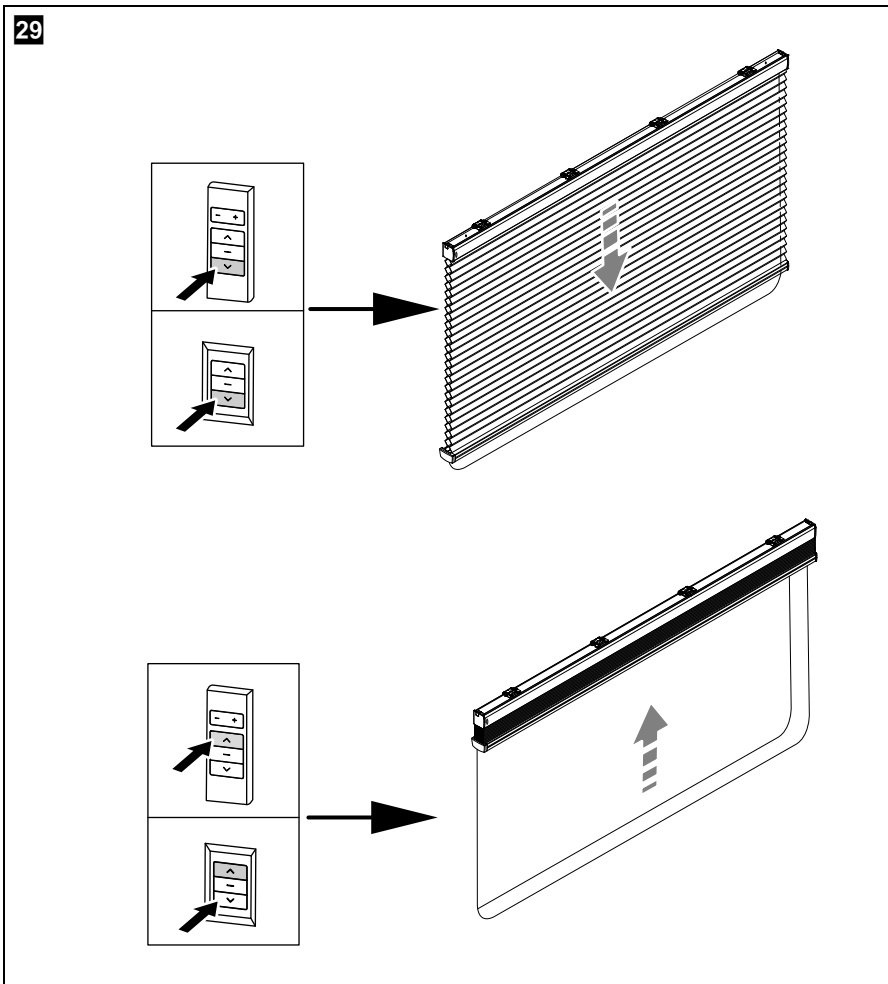
- Gå frem som vist for å betjene den manuelle persiennen.



8.2 Betjene motordrevne persiener

Vær oppmerksom på følgende:

- Hver gardin kan stoppes i hvilken som helst posisjon.
 - Hvis gardinen betjenes uten et automasjonssystem, avhenger betjeningen av hvordan kontrollenhetene er programmert.
 - Fra fabrikk er gardinen innstilt på å stoppe automatisk:
 - Når gardinen er trukket helt ut
 - Når gardinen er skjøvet helt opp
- Gå frem som vist for å betjene den motordrevne persiennen.



**MERK**

Av sikkerhetshensyn har motorene innebygget temperaturutkobling med automatisk tilbakestilling. Lang bruk eller overbelastning av gardinen kan utløse en utkobling. Hvis dette skjer, må du la motoren kjøle seg ned i inntil en halv time.

9 Rengjøring og vedlikehold

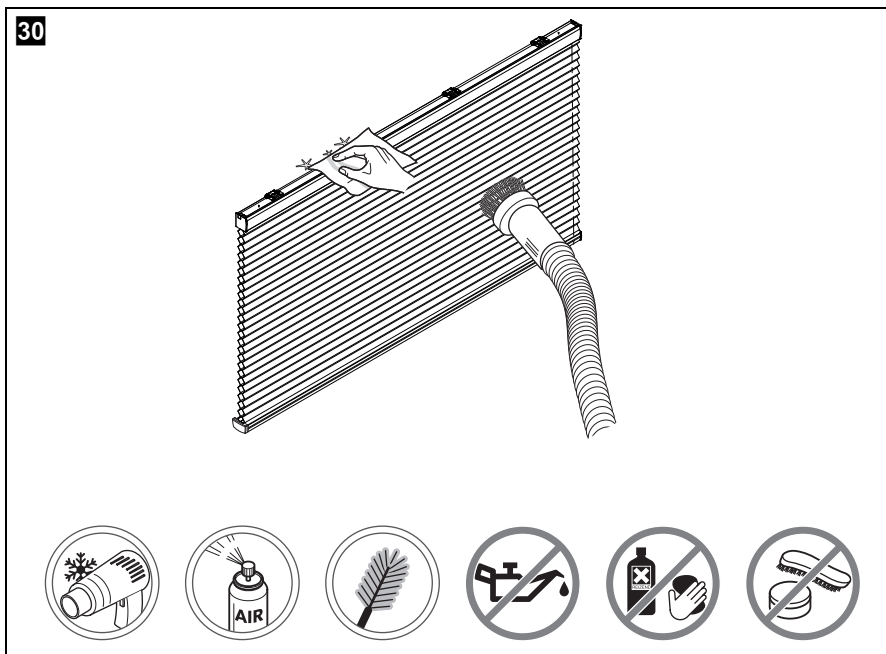
**ADVARSEL! Fare for personskader**

Motordrevne persienner: Ved persienner som kan betjenes fra steder utenfor synsvidde av persiennen må det iverksettes egnede tiltak for å forhindre drift av persiennen under vedlikehold i nærheten, f.eks. ved rengjøring av vinduer eller vegger.

**PASS PÅ! Fare for skader**

- Ikke smør inn gardinen med olje, fett eller andre smøremidler. Smøremidler skader stoffet.
- Skrubbing kan skade stoffet.
- Flekkrensing av kan føre til at noen steder blir renere enn resten.
- Ikke bløtlegg gardinen.
- Produsenten anbefaler å teste rensemidler på et skjult område på gardinen først.

► Gå frem som vist for å rengjøre persiennen.



10 Feilretting

Problem	Løsning
For lite spenning	► Se kapittel «Montasje» på side 282.
Fastspent persienne beveger seg ikke uhindret	► Sjekk festeposisjoner og spormål.
Motordrevne persienner:	
Gardinen stopper i feil posisjon	► Se bruksanvisningen for styringsenheten.

Problem	Løsning
Forskjellige gardiner beveger seg med forskjellig hastighet	▶ Se bruksanvisningen for styringsenheten.
Motordrevet persienne fungerer ikke	▶ Langvarig eller gjentatt bruk kan føre til at det innebygde temperaturvernet kobler ut. La motoren kjøle seg ned i 20 minutter og forsøk igjen. ▶ Sjekk strømforsyningen til gardinen. ▶ Sjekk om kablingen for spenningstilførsel til motoren er i orden. ▶ Hvis strømforsyningen er kontrollert og motoren fortsatt ikke fungerer: Ta kontakt med Dometic.

11 Garanti

Se avsnittene nedenfor for informasjon om garanti og garantistøtte.

11.1 Australia og New Zealand

Hvis produktet ikke fungerer som det skal: Ta kontakt med forhandleren eller produsentens representant i ditt land (se dometic.com/dealer). Produktet har 1 års garanti.

Ved henvendelser vedrørende reparasjon eller garanti, må du sende med følgende dokumentasjon:

- Kopi av kvitteringen med kjøpsdato
- Årsak til reklamasjonen eller beskrivelse av feilen

Gjelder kun for Australia

Våre produkter leveres med garantier som ikke kan utelukkes i henhold til australsk forbrukerlovgivning. Du har rett til å motta et erstatningsprodukt eller refundering ved større feil, samt kompensasjon for andre tap eller skader som rimeligvis kunne forutses. Du har også rett til å få reparert eller erstattet varer hvis kvaliteten ikke er av akseptabel kvalitet, også der feilen ikke er å anse som en større feil.

Gjelder kun for New Zealand

Denne garantien underligger vilkårene og garantibestemmelsene i forbrukergarantiloven Consumer Guarantees Act 1993(NZ).

Lokal brukerstøtte

Finn lokal støtte ved: dometic.com/dealer

11.2 USA og Canada

BEGRENSET GARANTI TILGJENGELIG PÅ
DOMETIC.COM/WARRANTY.

HVIS DU HAR SPØRSMÅL ELLER ØNSKER EN GRATIS KOPI AV DEN BEGRENSEDE GARANTIEN, KONTAKT:

DOMETIC CORPORATION
CUSTOMER SUPPORT CENTER
2320 INDUSTRIAL PARKWAY
ELKHART, INDIANA 46516
1-800-544-4881
customersupportcenter@dometic.com

11.3 Alle andre regioner

Lovmessig garantitid gjelder. Hvis produktet er defekt: Ta kontakt med produsentens filial i din region (dometic.com/dealer) eller din forhandler.

Ved henvendelser vedrørende reparasjon eller garanti, må du sende med følgende dokumentasjon:

- Kopi av kvitteringen med kjøpsdato
- Årsak til reklamasjonen eller beskrivelse av feilen

Vær oppmerksom på at reparasjoner som utføres selv, eller som ikke utføres på en profesjonell måte, kan gå ut over sikkerheten og føre til at garantien blir ugyldig.

12 Avfallshåndtering

12.1 Australia og New Zealand



- ▶ Lever emballasje til resirkulering så langt det er mulig.
- ▶ For å kaste produktet endelig ta kontakt med det lokale resirkulerings-sentret eller faghandler om hvordan du kan gjøre dette i overensstemmelse med gjeldende avfallshåndteringsforskrifter.

12.2 Alle andre regioner



- ▶ Lever emballasje til resirkulering så langt det er mulig.
- ▶ For å kaste produktet endelig ta kontakt med det lokale resirkulerings-sentret eller faghandler om hvordan du kan gjøre dette i overensstemmelse med gjeldende avfallshåndteringsforskrifter.
- ▶ Produktet kan avhendes gratis.

Lue nämä ohjeet huolellisesti ja noudata kaikkia tämän tuotteen käyttöohjeissa annettuja ohjeita, määräyksiä ja varoituksia. Näin varmistat, että tuotteen asennus, käyttö ja huolto sujuu aina oikein. Näiden ohjeiden TÄYTYY jäädä tuotteen yhteyteen.

Käyttämällä tuotetta vahvistat lukeneesi kaikki ohjeet, määräykset ja varoitukset huolellisesti ja että ymmärrät ja hyväksyt tässä annetut ehdot. Sitoudut käyttämään tuotetta ainoastaan sen käyttötarkoitukseen ja ilmoitetuissa käyttökohteissa ja noudattaen tässä tuotteen käyttöohjeessa annettuja ohjeita, määräyksiä ja varoituksia sekä voimassa olevia lakeja ja määräyksiä. Tässä annettujen ohjeiden ja varoitusten lukematta ja noudattamatta jättäminen voi johtaa omaan tai muiden loukkaantumiseen, tuotteen vaurioitumiseen tai muun ympärillä olevan omaisuuden vaurioitumiseen. Tähän tuotteen käyttöohjeeseen, ohjeisiin, määräyksiin ja varoituksiin sekä ohesisdokumentteihin voidaan tehdä muutoksia ja niitä voidaan päivittää. Katso ajantasaiset tuotetiedot osoitteesta documents.dometic.com.

Sisällysluettelo

1	Symbolien selitykset	309
2	Turvallisuusohjeet	310
3	Toimituskokonaisuus.	313
4	Lisävarusteet	314
5	Käyttötarkoitus.	315
6	Tekninen kuvaus	315
7	Asennus	316
8	Käyttö.	336
9	Puhdistus ja hoito	339
10	Vianetsintä	340
11	Takuu	340
12	Hävittäminen	342

1 Symbolien selitykset



VAROITUS!

Turvallisuusohjeet: viittaavat vaaralliseen tilanteeseen, joka voi johtaa kuolemaan tai vakavaan loukkaantumiseen, jos ohjeita ei noudateta.



HUOMIO!

Turvallisuusohjeet: viittaavat vaaralliseen tilanteeseen, joka voi johtaa lievään tai kohtalaiseen loukkaantumiseen, jos ohjeita ei noudateta.

**HUOMAUTUS!**

Viittaavat tilanteeseen, joka voi johtaa esinevahinkoon, jos ohjeita ei noudateta.

**OHJE**

Tuotteen käyttöä koskevia lisätietoja.

2 Turvallisuusohjeet



VAROITUS! Näiden varoitusten noudattamatta jättäminen voi johtaa kuolemaan tai vakavaan vammaan.

Sähköiskun vaara (vain motorisoidut kaihtimet)

- Laitetta ei saa ottaa käyttöön, jos laitteessa on näkyviä vaurioita.
- Jos tämän laitteen liitäntäjohto vaurioituu, valmistajan, asiakaspalvelun tai henkilön, jolla on vastaava pätevyys tai taidot, täytyy vaihtaa se vaaran välttämiseksi.
- Virheellisesti suoritetuista korjaustoista saattaa aiheutua huomattavia vaaroja.
- Irrota kaihdin sähköverkosta ennen huoltotöiden tekemistä.

Terveysvaara

- Tärkeät turvallisuusohjeet. Näiden ohjeiden noudattaminen on tärkeää henkilöturvallisuuden kannalta. Säilytä nämä ohjeet.
- Tätä laitetta voivat käyttää valvonnan alaisuudessa myös vähintään 8-vuotiaat lapset samoin kuin henkilöt, joiden fyysiset, aistinvaraiset tai henkiset kyvyt ovat rajoittuneet tai joilta puuttuu laitteen käytön vaatima kokemus tai tietämys, mikäli edellä mainittuja henkilöitä on opastettu käyttämään laitetta turvallisesti ja mikäli henkilöt ymmärtävät laitteen käyttöön liittyvät riskit.
- Lapset eivät saa leikkiä laitteella.
- Lapset eivät saa ilman valvontaa puhdistaa laitetta eivätkä ryhtyä käyttäjälle sallittuihin kunnossapitotöihin.
- Kaihtimet täytyy sulkea ennen ajoneuvon ohjaamisen aloittamista, jotta kaihdin ei rajoita kuljettajan näkyvyyttä.

- **Vain motorisoidut kaihtimet:**

- Älä asenna motorisoituja kaihtimia pakoteinä käytettävien luukkujen kohdalle.
- Laitteiden rakenteen tai kokoonpanon muuttaminen ilman valmistajan nimenomaista lupaa voi aiheuttaa vaaratilanteen.
- Älä anna lasten leikkiä sisäkaihtimen ohjainlaitteella. Pidä kaukosäätimet poissa lasten ulottuvilta.
- Tarkista laitteisto säännöllisesti kaapeleiden kulumisen tai vaurioiden merkkien varalta. Älä käytä, jos korjaus on välttämätön.
- Älä käytä laitetta, kun sen läheisyydessä tehdään huoltotöitä, kuten ikkunapesua.

Kuristumisvaara



- Pienet lapset voivat kuristua vetonarujen, ketjujen, nauhojen ja tuotetta käyttävien sisäisten narujen silmukoihin.
- Pidä narut poissa pienten lasten ulottuvilta kuristumis- ja kietoutumisvaaran ehkäisemiseksi. Narut voivat kiertyä lapsen kaulan ympäri.
- Siirrä sängyt, pinnasängyt ja huonekalut kauas ikkunoita peittäivistä naruista.
- Älä sido naruja yhteen. Varmista, että narut eivät mene kierteille eivätkä muodosta silmukoita.

Tukehtumisvaara

- Tämä laite sisältää pieniä osia. Pidä se alle 3-vuotiaiden lasten ulottumattomissa.
- Pakkaukseen sisältyy muovipusseja. Pidä ne alle 3-vuotiaiden lasten ulottumattomissa.



HUOMIO! Näiden varoitusten noudattamatta jättäminen voi johtaa vähäiseen tai kohtalaiseen vammaan.

Loukkaantumisvaara

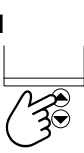
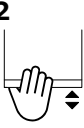
- Laitteen saa asentaa, irrottaa tai korjata ainoastaan pätevä tai osaava henkilö tarkoitukseen sopivaa kiinnitysmateriaalia käyttäen.
- Noudata erityistä varovaisuutta asentaessasi kaihdinta ja käytä tarkoituksenmukaisia henkilösuojaimia.
- **Vain veneet ja jahdit:** Jos kaihdin on avoimen ikkunan edessä, kaihtimen pitäisi olla auki, kun ajetaan yli 10 solmun nopeudella tai kun merenkäynti on kohtalaista voimakkaampaa, koska muutoin kaihdin voi rikkoutua. Irtoavat osat voivat johtaa ympäristössä oleskelevien loukkaantumiseen.

**HUOMAUTUS!****Vahingonvaara**

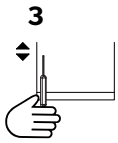
- Kaihtimet on nostettava kokonaan ylös, kun vene tai ajoneuvo on liikkeellä.
- Käytä kaihtimen kiinnittämiseen vain ruuveja ja tulppia, jotka sopivat seinärakenteeseen.
- Varo poraamasta reikää seinän läpi.
- Varmista, että kätesi ovat puhtaat, tai käytä tarkoitukseen sopivia käsineitä, jotta kankaaseen ei jää jälkiä.
- **Vain motorisoidut kaihtimet:**
 - Varmista, että johtoon merkityt jännitetiedot ja käytettävä virransyöttö vastaavat toisiaan.
 - Käytä vain johtoja, joiden poikkipinta-ala on sopiva.

3 Toimituskokonaisuus


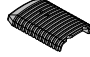


1



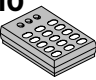
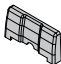
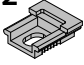







2

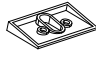



3

4 	5 
6 	7 

8 	9 
10 	11 
12 	13 2x 

14 	15 
16 	

17 	18 
--	--

Kohta, kuva 1	Määrä	Kuvaus
1 – 3	1	Kaihdinyksikkö Design riippuu mallista, esim. motorisoitu tai käsi- käyttöinen, vapaasti roikkuva tai pingotettu, 2-lis- tainen tai 3-listainen malliversio
4	Riippuu kaihtimen koosta	Motorisoitujen kaihtimien päätykiskon pidike
5	Riippuu kaihtimen koosta	L-pidikkeen suojus (optio pinta-asennusta varten)
6	Riippuu kaihtimen koosta	3-listaisen version pidikesarja (optio pinta-ase- nusta varten)
7	Riippuu kaihtimen koosta	3-listaisen version pidikesarja (optio syvennyk- seen asennusta varten)
8, 14	Riippuu kaihtimen koosta	Käsiikäyttöisten kaihtimien päätykiskon pidike
9	Riippuu kaihtimen koosta	Alakiinnikkeen vastakappale
10	2	Alakiinnike (optio pinta-asennusta ja syvennyk- seen asennusta varten, vain 2-listaiseen malliin)
11	Riippuu kaihtimen koosta	L-pidikkeen suojus
12	Riippuu kaihtimen koosta ja kulmasta	Alakiinnikkeen vastakappale (optio syvennykseen asennusta varten, vain 2-listaiseen malliin)
13	1	Pingotuskupusarja (optio 2-listaiseen malliin, liite- tään toimitettuun kaihtimeen)
15	1	Sauva/käpy
16	1	Vapautuskahvan pidike
17 – 18	Valinnainen	Välkkeet kaihtimen tasonsäätöön (optio)

4 Lisävarusteet

Lisävarusteita voi tilata erillisellä tilauslomakkeella. Valtuutetun asiakaspalvelukeskuk-
sen löydät osoitteesta dometic.com.

5 Käyttötarkoitus

Kaihdin sopii

- asennettavaksi jahteihin ja veneisiin
- asennettavaksi asuntovaunuihin ja matkailuautoihin

Kaihtimien suunnittelu ja koko on asiakaskohtaista. Kaihtimien kangas leikataan asiakkaan vaatimusten mukaisesti.

Kaihtimet on suunniteltu käytettäväksi ainoastaan sisätiloissa, eikä niitä saa asentaa kylpyhuoneisiin, märkätiloihin eikä muihinkaan paikkoihin, joissa ilmankosteus on suuri.

Tämä tuote soveltuu ainoastaan näissä ohjeissa ilmoitettuun käyttötarkoitukseen ja käyttökohteeseen.

Näistä ohjeista saat tuotteen asianmukaiseen asennukseen ja/tai käyttöön tarvittavat tiedot. Väärin tehdyn asennuksen ja/tai väärän käyttötavan tai vääränlaisen huollon seurauksena laite ei toimi tyydyttävästi, ja se saattaa mennä epäkuntoon.

Valmistaja ei ota vastuuta tapaturmista tai tuotevaurioista, jotka johtuvat seuraavista:

- Väärin tehty asennus tai liitäntä, ylijännite mukaan lukien
- Väärin tehty huolto tai muiden kuin valmistajalta saatavien alkuperäisten varaosien käyttö
- Tuotteeseen ilman valmistajan nimenomaista lupaa tehdyt muutokset
- Käyttö muuhun kuin tässä ohjeessa ilmoitettuun tarkoitukseen

Dometic pitäättä itsellään oikeuden muutoksiin tuotteen ulkonäössä ja spesifikaatioissa.

6 Tekninen kuvaus

Kaihtimia on saatavilla eri tavoin käytettävänä malleina:

- Käsikäyttöinen, pingotettu
- Käsikäyttöinen, vapaasti roikkuva
- Motorisoitu, pingotettu
- Motorisoitu, vapaasti roikkuva

Pingotetuissa malleissa narut täytyy kiinnittää vastakkaiselle puolelle päätykiskoon nähden:

- Pidikkeet 3-listaisen mallin kiinnitykseen
- Valinnaiset pingotuskappaleet 2-listaisen mallin kiinnitykseen

**OHJE**

Kun tuote on toimitettu, tarkista, että kaihtimen tyyppi ja toimituskokoinaisuus ovat tilausvahvistuksen mukaiset. Tuote-etikettiin merkitty, kaihdintyyppiin ilmoittava numero sijaitsee päätykiskon taustapuolella. Vasemman- ja oikeanpuoleiset muotoparit voivat näyttää samalaisilta.

7 Asennus

**HUOMIO! Loukkaantumisvaara**

Tärkeitä turvallisuusohjeita. Noudata kaikkia ohjeita, koska virheellinen asennus voi johtaa vakavaan loukkaantumiseen.

7.1 Päätykiskon asentaminen

**VAROITUS!**

Motorisoidut kaihtimet: Irrota virransaanti ennen töiden aloittamista ja varmista, että virransaantia ei voi kytkeä uudelleen päälle ennen kuin asennus on saatu valmiiksi.

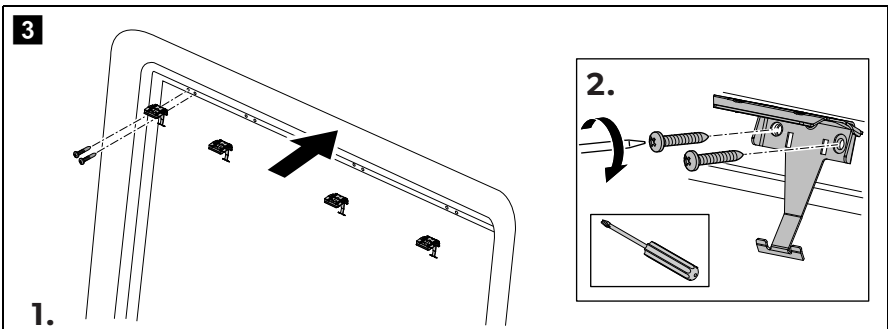
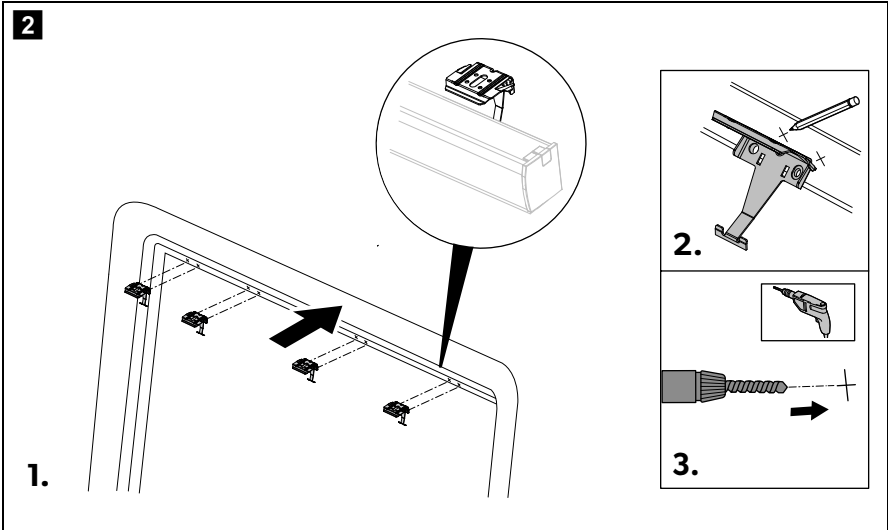
Kaihdin voidaan asentaa seinäpintaan (pinta-asennus) taikka seinäsyvennykseen tai kattoon (syvennykseen asennus). Päätykisko voidaan asentaa ikkunan yläreunaan tai alareunaan. Motorisoitujen ja käsikäyttöisten kaihtimien päätykiskot poikkeavat toisistaan.

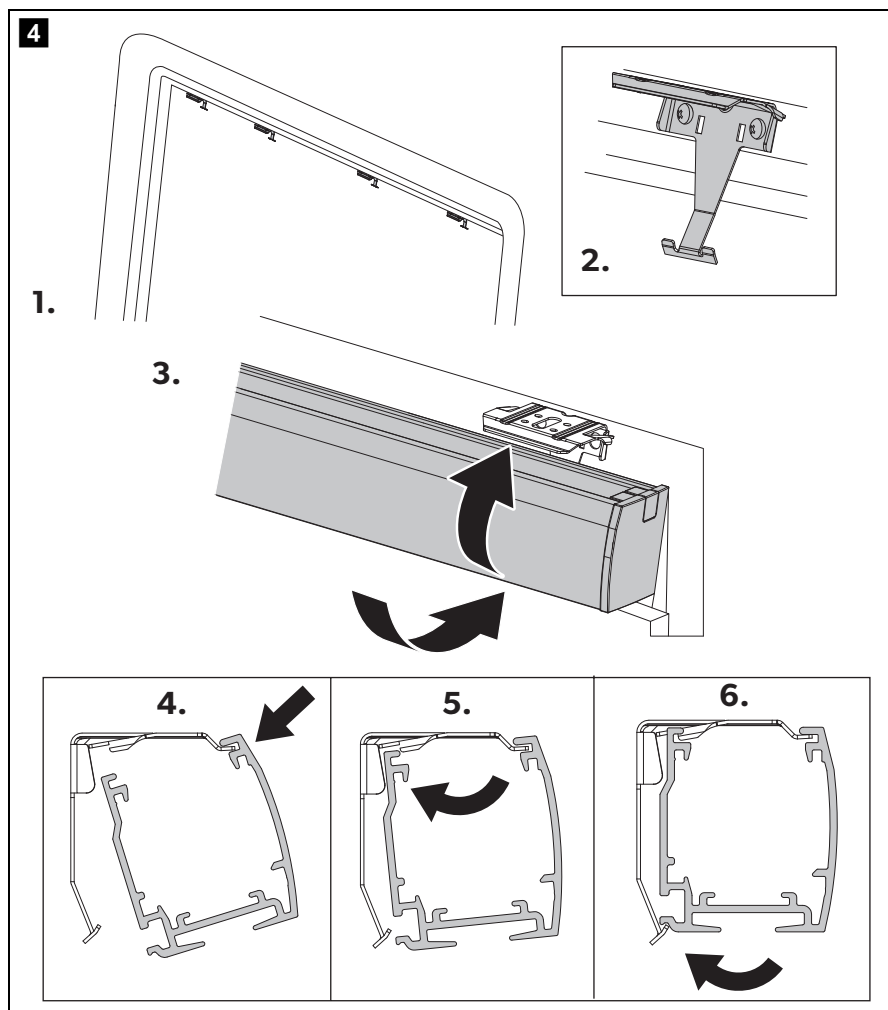
Kaihtimien eri osien asennusjärjestys riippuu siitä, kuinka paljon tilaa asennuspaikassa on (esim. pohjalista voi olla syytä asentaa ensin).

**OHJE**

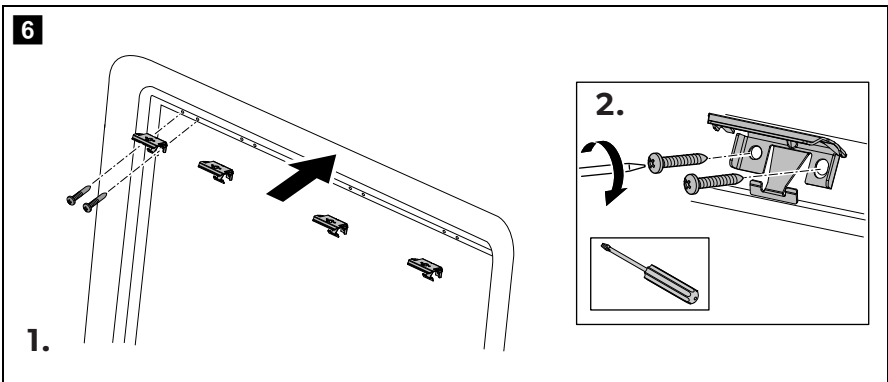
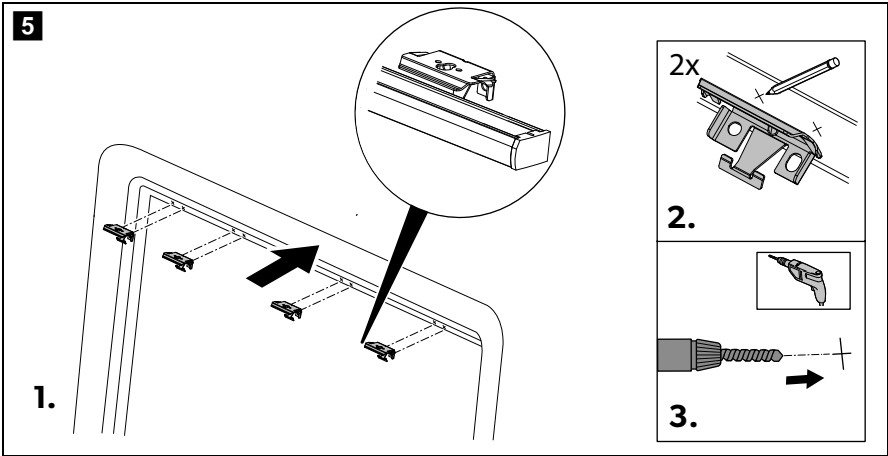
Jätä pidikkeiden taakse riittävästi tilaa, jotta pystyt käyttämään vapautusnipsua.

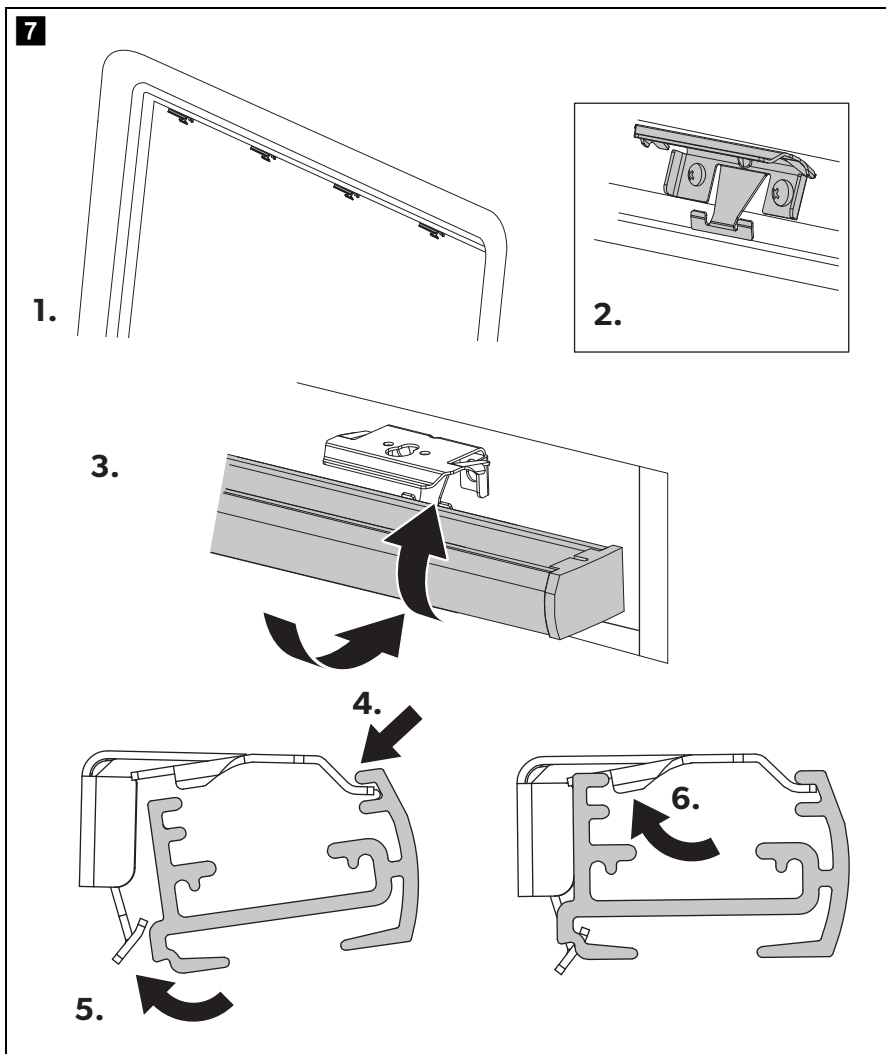
Pinta-asennettava motorisoitu päätykisko



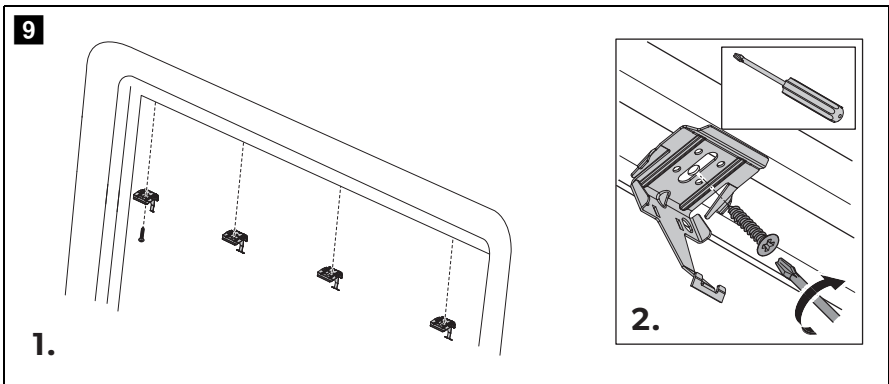
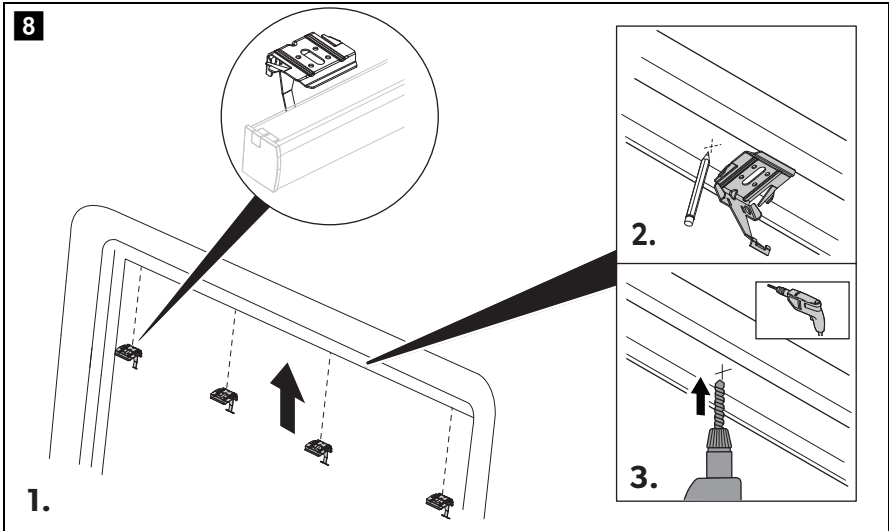


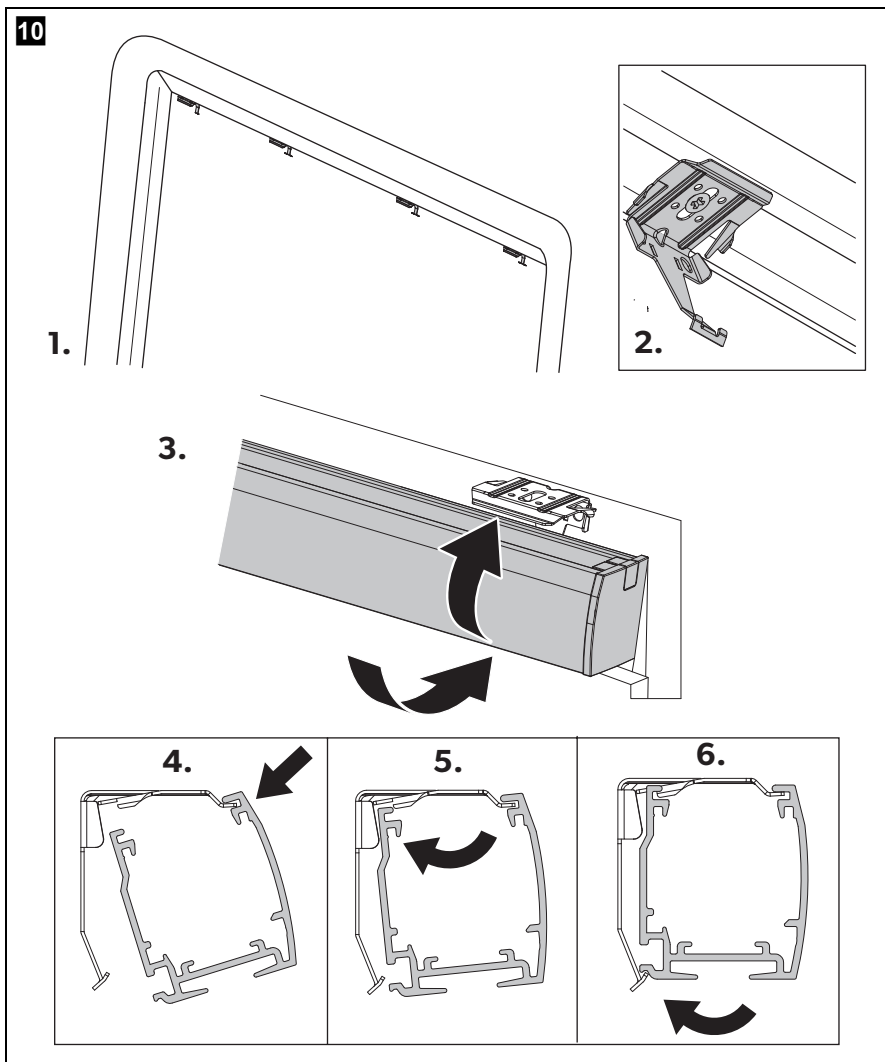
Pinta-asennettava käsikäyttöinen päätykisko



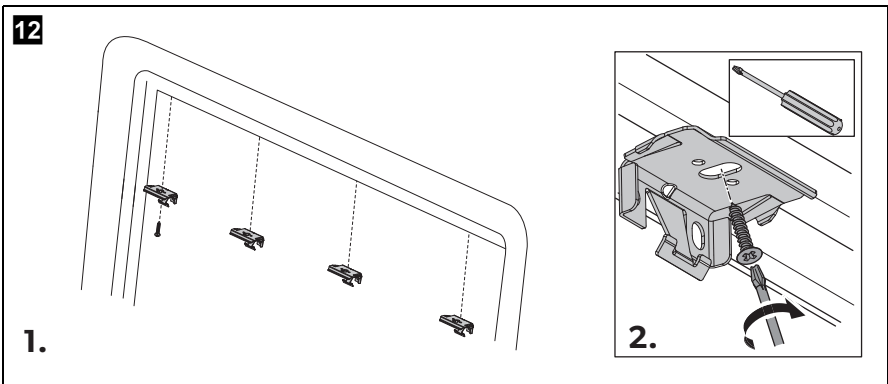
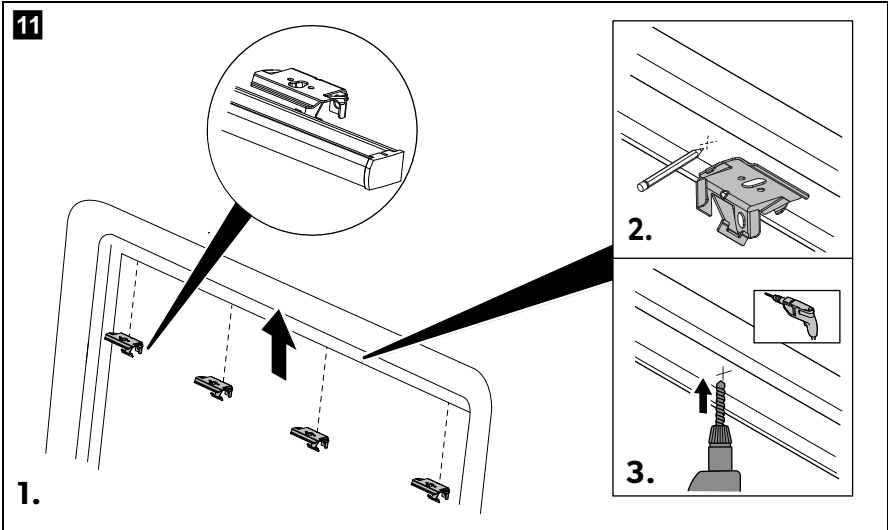


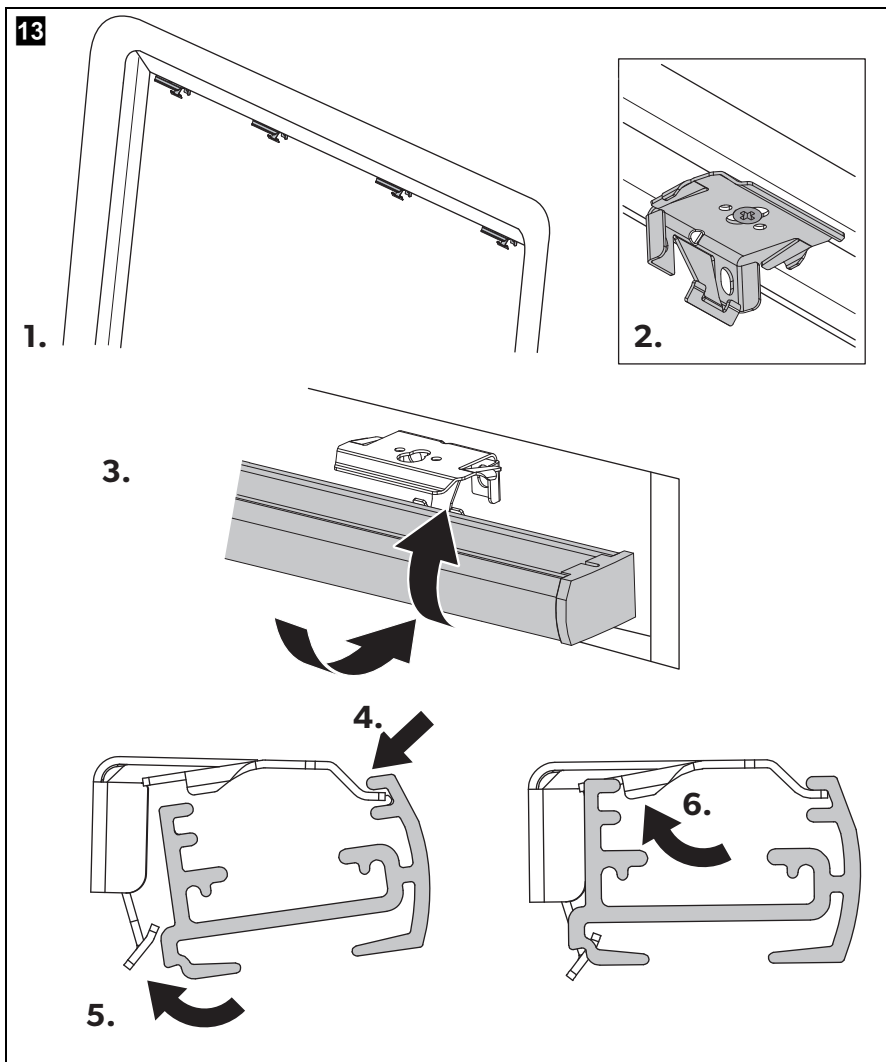
Syvennykseen asennettava motorisoitu päätykisko





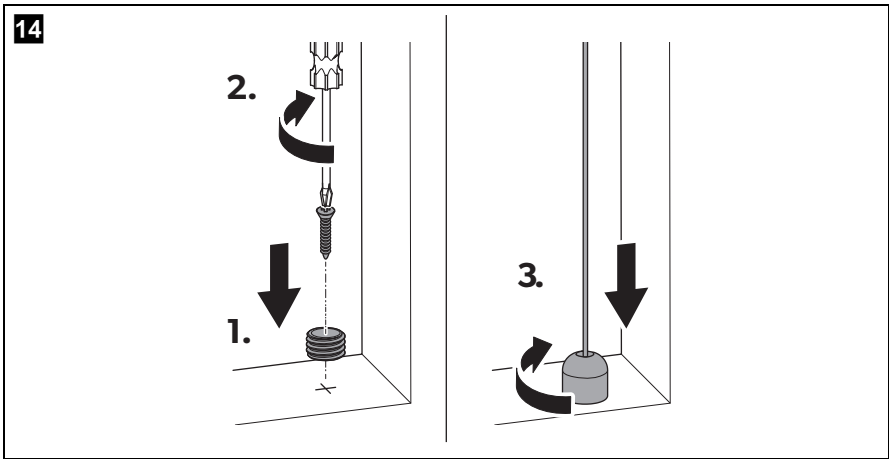
Syvennykseen asennettava käsikäyttöinen päätykisko



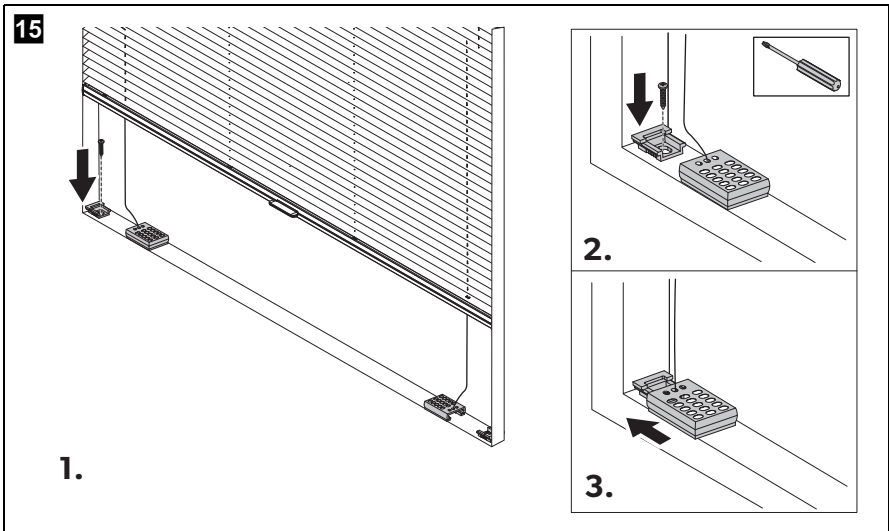


7.2 Pingotuskappaleiden asennus

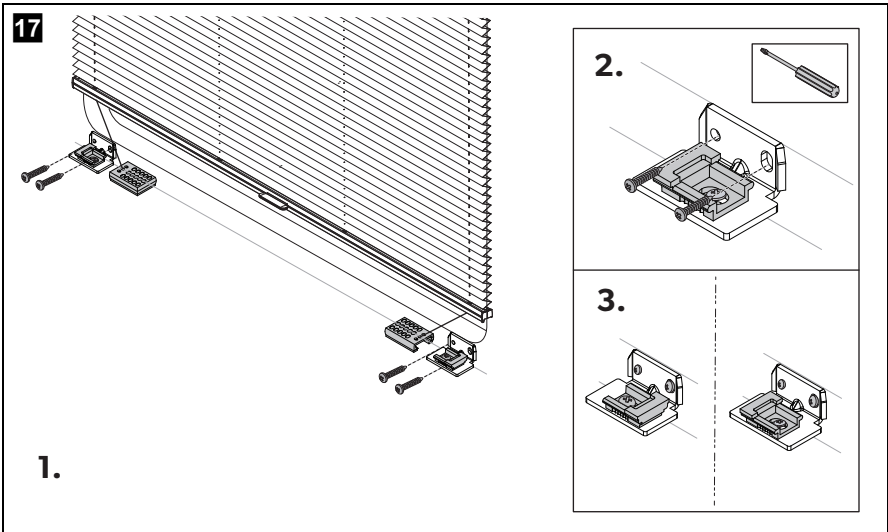
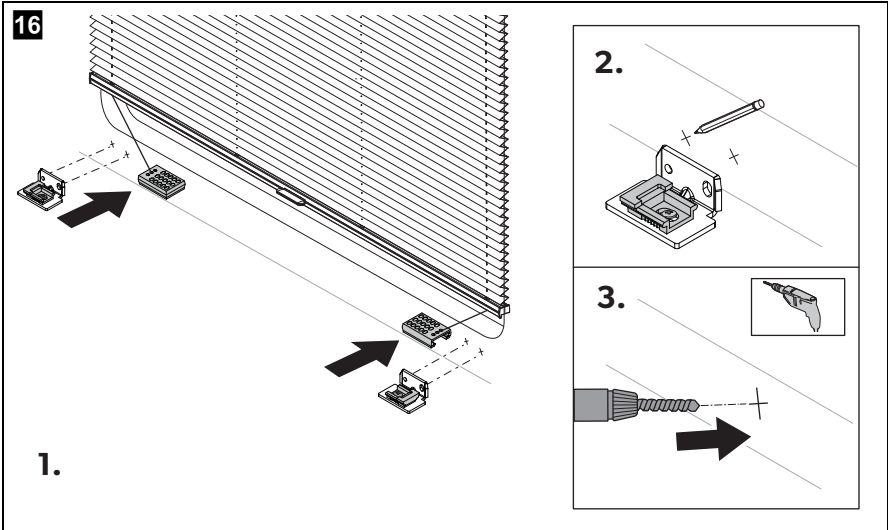
Syvennykseen asennettava pingotuskupu

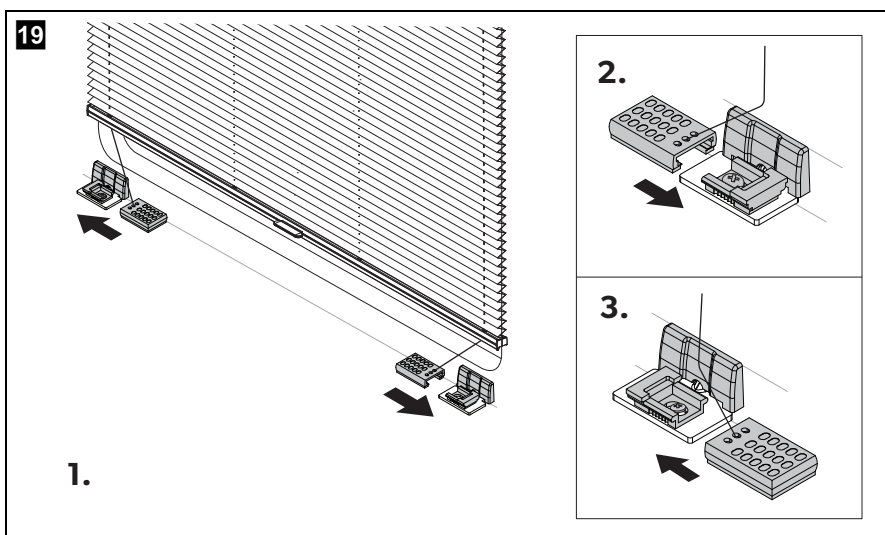
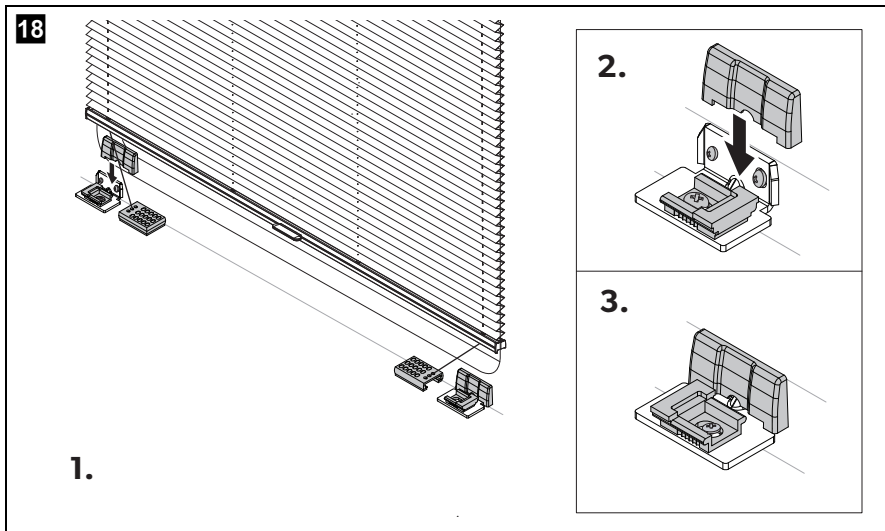


Syvennykseen asennettava alakiinnike



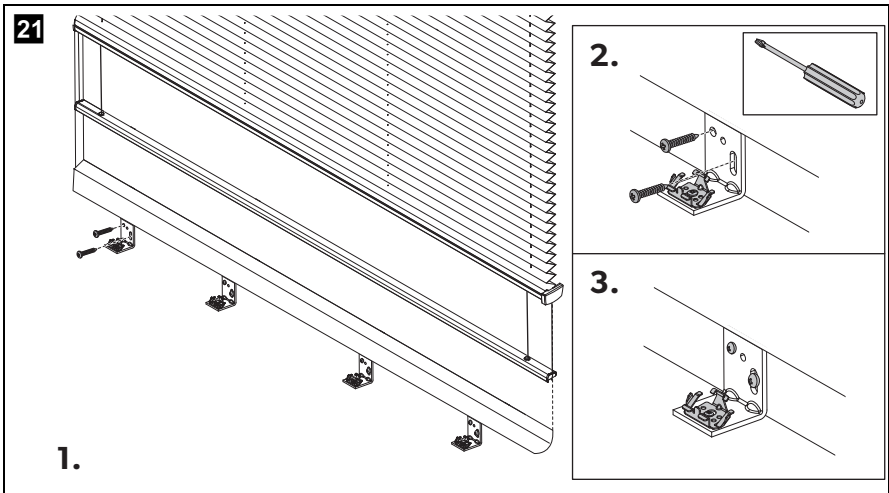
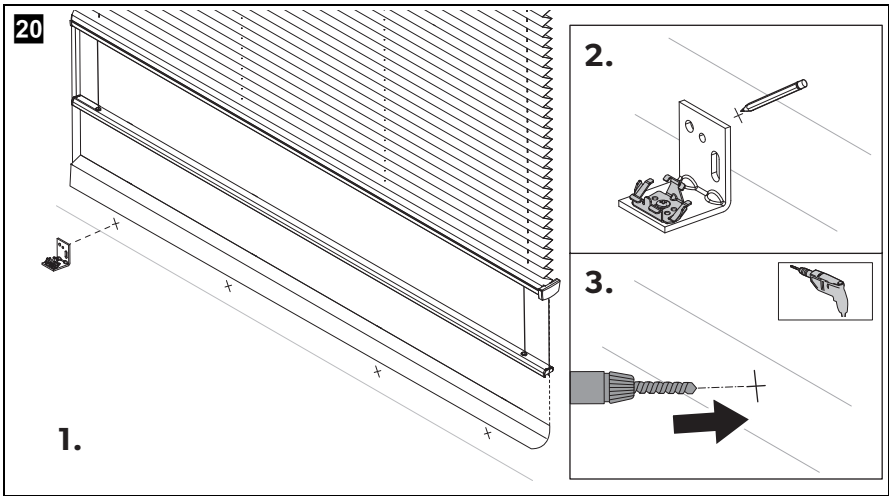
Pinta-asennettava alakiinnike

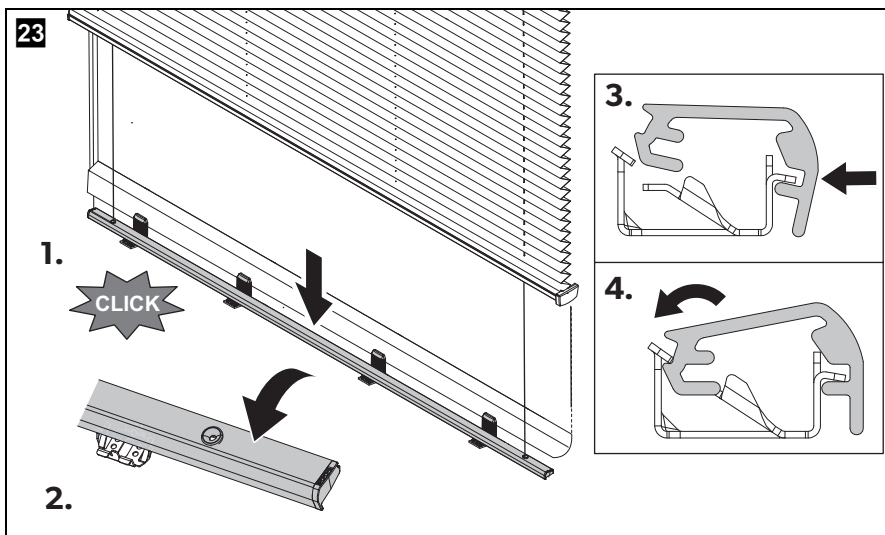
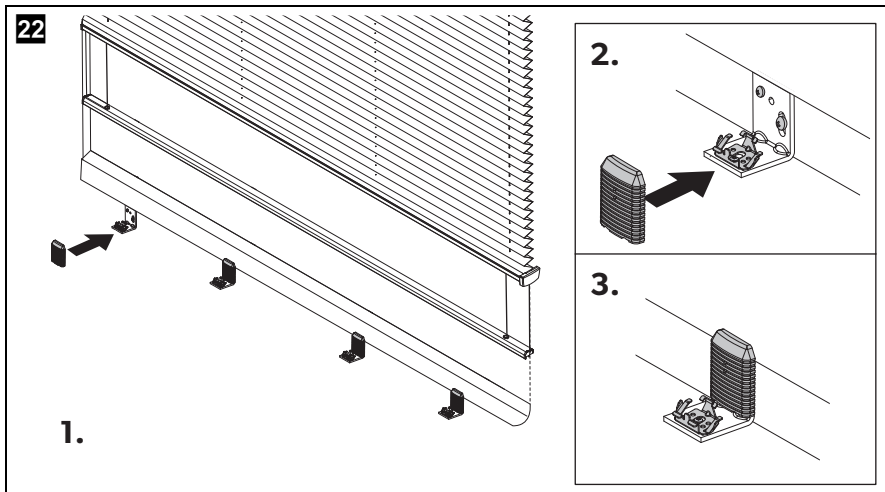




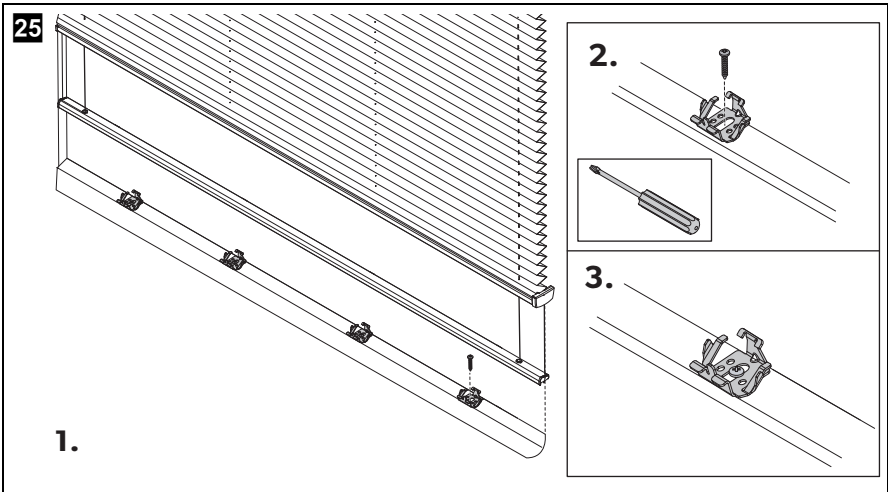
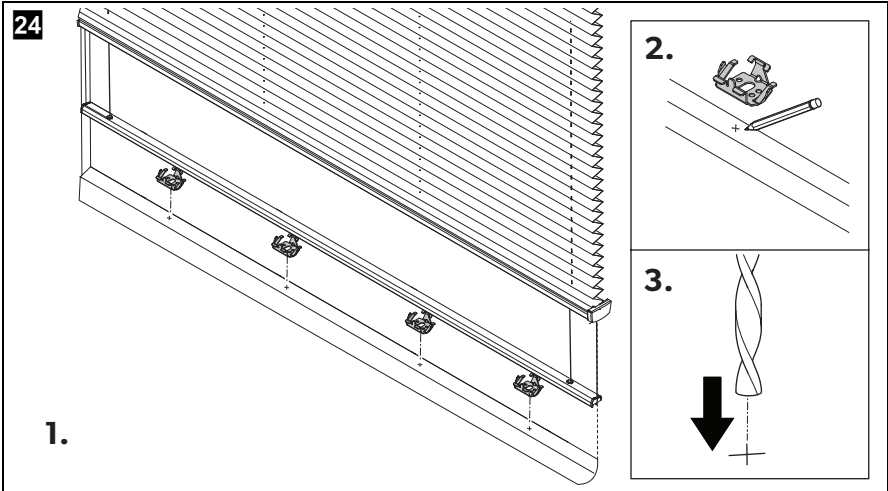
7.3 Pohjalistan asennus

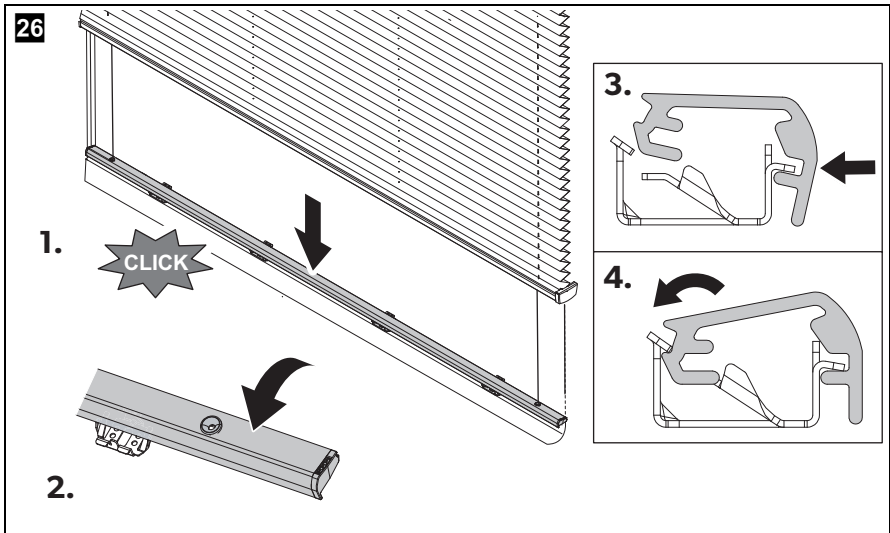
Pinta-asennettava pohjalista



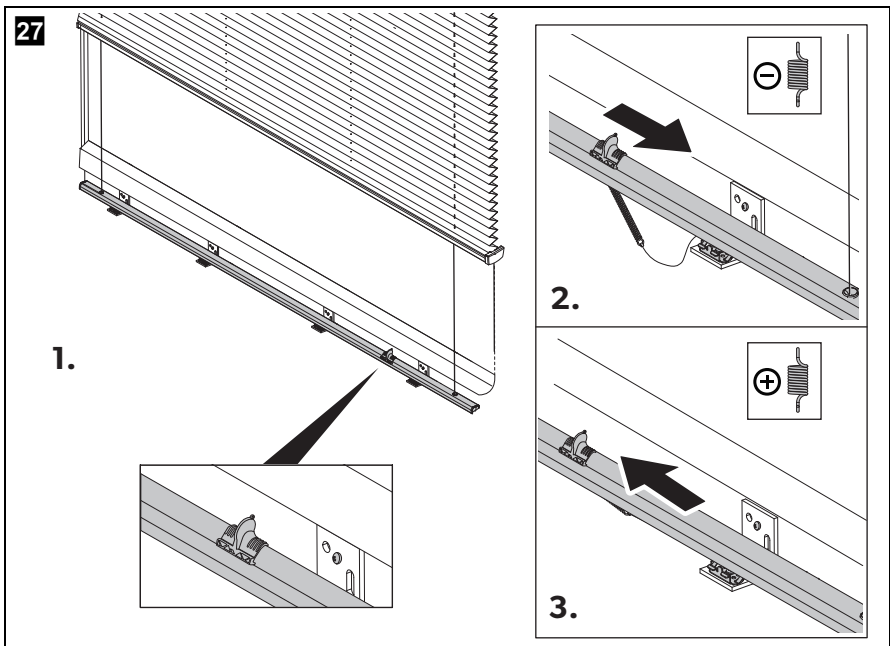


Syvennykseen asennettava pohjalista





7.4 Narujen kiristys (vain kun optiona pikakiristin)



7.5 Kaihtimien sähköliitäntä (vain motorisoidut kaihtimet)

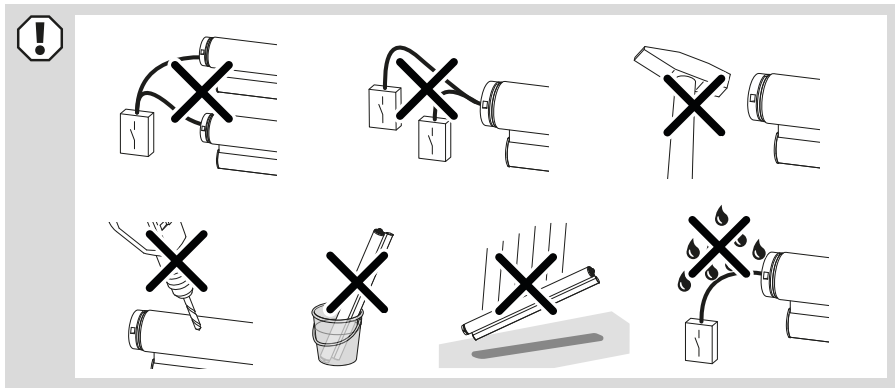


Sähköliitännän saa tehdä vain pätevä sähköasentaja, jolla on sähkölaitteiden ja -asennusten rakentamiseen ja käyttöön tarvittavat tiedot ja taidot ja joka on käynyt turvallisuuskoulutuksen ja osaa siten tunnistaa ja välttää mahdolliset vaarat.

Motorisoidut kaihtimet voi liittää 12/24 V $\overline{=}$:n virransyöttöön. Päätykiskon tyyppi- ja -asettämistä näet kyseisen kaihtimen moottorin tärkeät spesifikaatiot.

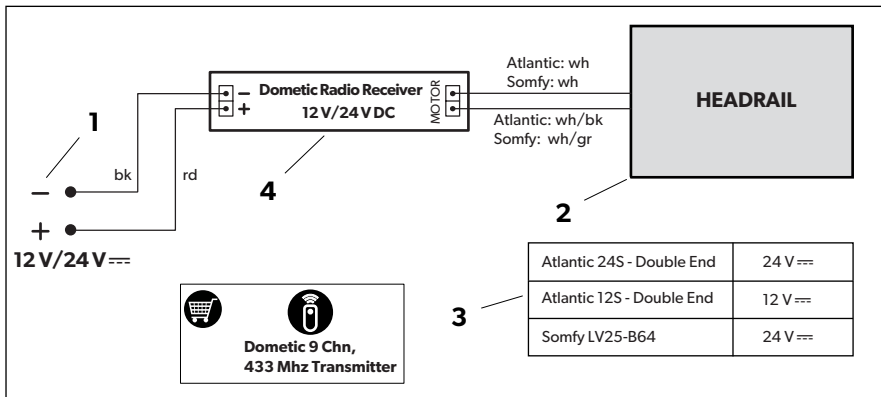
Kaihdinten sähköliitäntöjä tehtäessä on noudatettava seuraavia ohjeita:

- Varo vaurioittamasta johtoja asennuksen yhteydessä. Kohdat, joista johdot viiedään seinien tai laipioiden läpi, täytyy suojata ja eristää tarkoituksenmukaisella holkilla, hylsillä tai johtokanavalla.
- Varmista, että asennuspaikalla on käytettävissä 12 V:n tai 24 V:n syöttöjännite käyttömoottoria varten. Sähköjohto on mitoitettu ja suojattu tarkoituksenmukaisesti.
- Tuote täytyy liittää tuote-etiketissä mainittuun virransyöttöön. Tuotteessa oleva moottori kytkeytyy irti virransyötöstä, jos virta on sallittua suurempi, mutta virransyöttöön on syytä asentaa sulake tuotteen johdotuksen suojaksi.
- Kiinnitä kaikki johdot, jotta ne eivät voi joutua kosketuksiin liikkuvien osien kanssa.
- Käytä vain valmistajan suosittelemia verkkolaitteita ja säätimiä, näin vältät käytön aikaiset, yhteensopimattomien sähkökomponenttien aiheuttamat vauriot ja viat.
- Käyttölaitteet (kuten kytkimet) täytyy asentaa näkyviin paikkoihin.
- Jokaista moottoria kohti tarvitaan yksi säännelty virransyöttö, joka vastaa vaadittuja teknisiä vaatimuksia, koska muutoin moottori voi toimia virheellisesti.
- Asetettujen pysäytysasentojen säätö on tehtävä vain moottorityypille määritellyllä menetelmällä moottorin vaurioitumisen välttämiseksi.

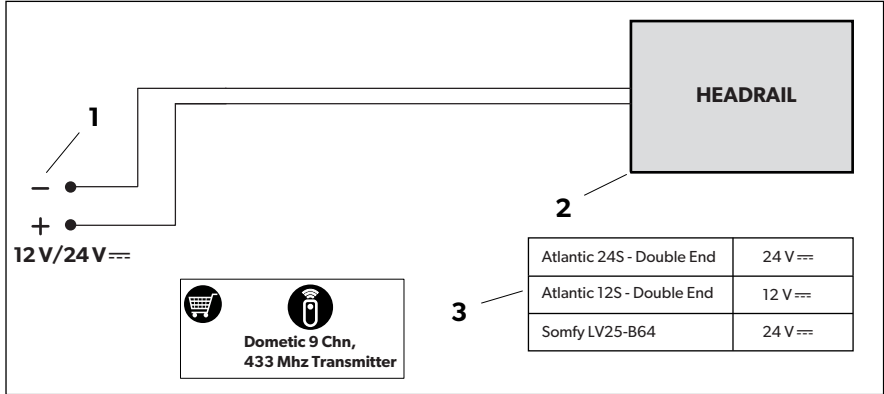


► Liitä moottori johdotuskaavioiden osoittamalla tavalla.

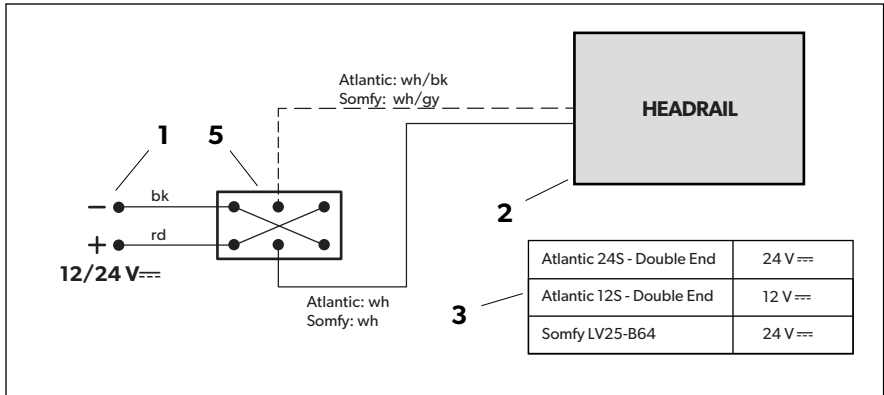
Dometicin radio-ohjattava kaihdin ulkoisella vastaanottimella



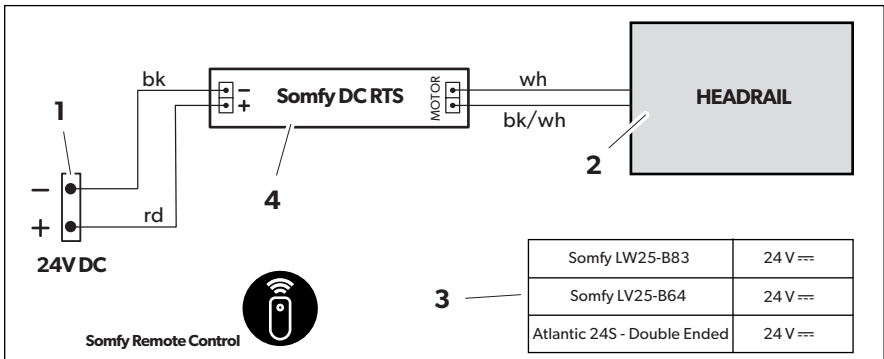
Dometicin radio-ohjattava kaihdin sisäisellä vastaanottimella

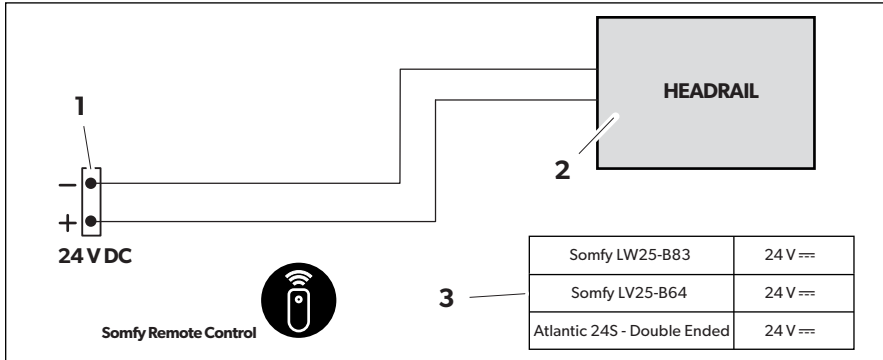


Manuaalisesti kytkettävä kaihdin



Somfy'n RTS-ohjattava kaihdin ulkoisella vastaanottimella



Somfy RTS-ohjattava kaihdin sisäisellä vastaanottimella**Johdotuskaavioiden selitys**

Nro	Kuvaus
1	Virransyöttö
2	Päätykisko
3	Päätykiskon moottorivaihtoehdot
4	Ulkoinen vastaanotin
5	Asiakkaan hankkima DPDT-kytkin (kaksinapainen vaihtokytkin) keskiasennossa virta on pois, lukittuva tai lukkiutumaton, 12/24 V DC, 3 A
bk	musta
rd	punainen
gy	harmaa
wh	valkoinen

**OHJE**

- Lisävarusteita voi tilata erillisellä tilauslomakkeella.
- Noudata säädinten ja käyttölaitteiden sovellettavia ohjeita.

8 Käyttö



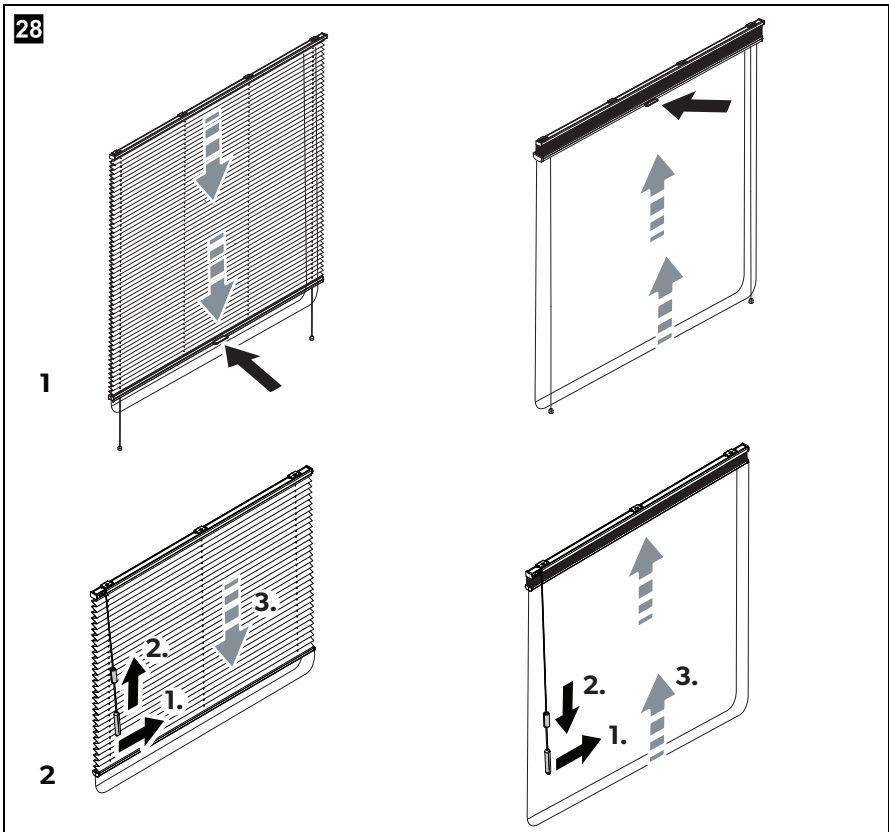
HUOMIO! Loukkaantumisvaara

Vain veneet ja jahdit: Jos kaihdin on avoimen ikkunan edessä, kaihtimen pitäisi olla auki, kun ajetaan yli 10 solmun nopeudella tai kun merenkäynti on kohtalaista voimakkaampaa, koska muutoin kaihdin voi rikkoutua. Irtoavat osat voivat johtaa ympäristössä oleskelevien loukkaantumiseen.

8.1 Käsikäyttöisten kaihtimien käyttö

Kaihdin voidaan siirtää kahvasta mihin tahansa asentoon.

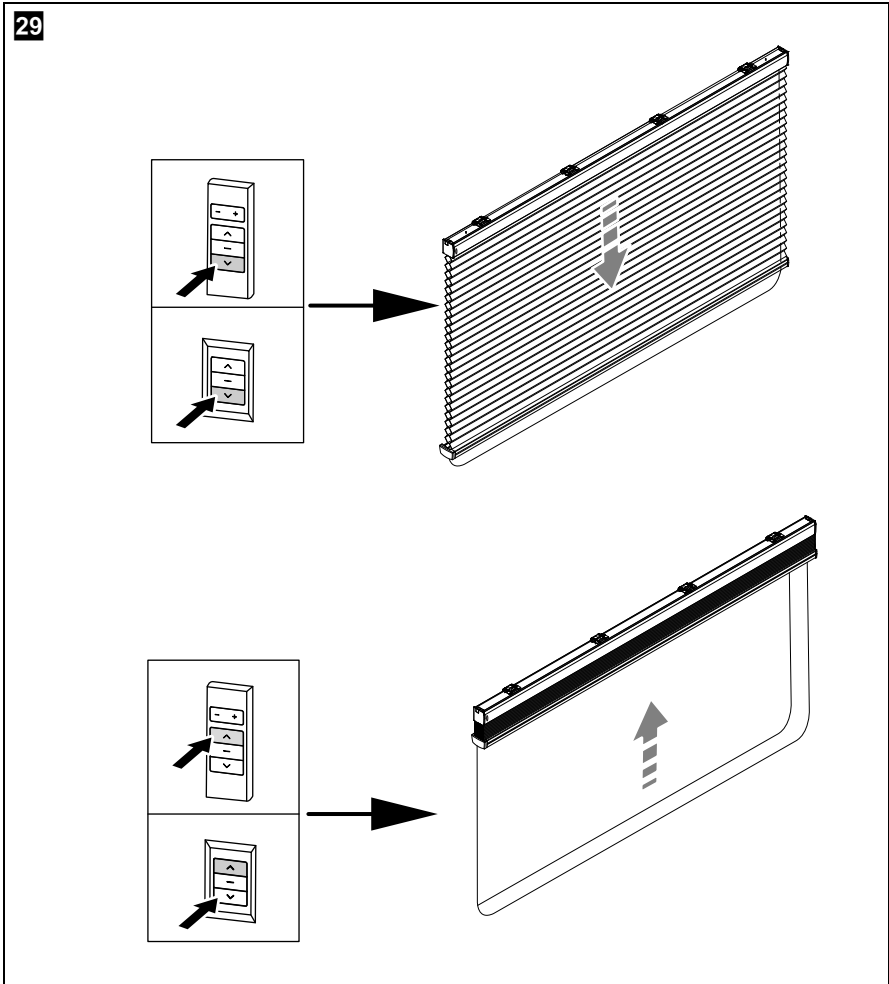
- Käytä käsikäyttöistä kaihdinta kuvien osoittamalla tavalla.



8.2 Motorisoitujen kaihtimien käyttö

Noudata seuraavia ohjeita:

- Jokainen kaihdin voidaan pysäyttää mihin tahansa kohtaan.
 - Kun kaihdinta käytetään automaattijärjestelmällä, toiminta riippuu ohjaimen ohjelmoinnista.
 - Tehtaalla kaihdin on ohjelmoitu pysähtymään automaattisesti seuraavissa tilanteissa:
 - Kun kaihdin on kokonaan alhaalla
 - Kun kaihdin on kokonaan ylhäällä
- Käytä motorisoitua kaihdinta kuvien osoittamalla tavalla.



OHJE

Moottorissa on turvallisuussyistä integroitu, itsestään nollautuva ylikuumenemiskatkaisu. Pitkäaikainen käyttö tai kaihtimen ylikuormitus voivat laukaista katkaisun. Jos näin käy, anna moottorin jäähtyä; siihen voi mennä puolikin tuntia.

9 Puhdistus ja hoito



VAROITUS! Loukkaantumisvaara

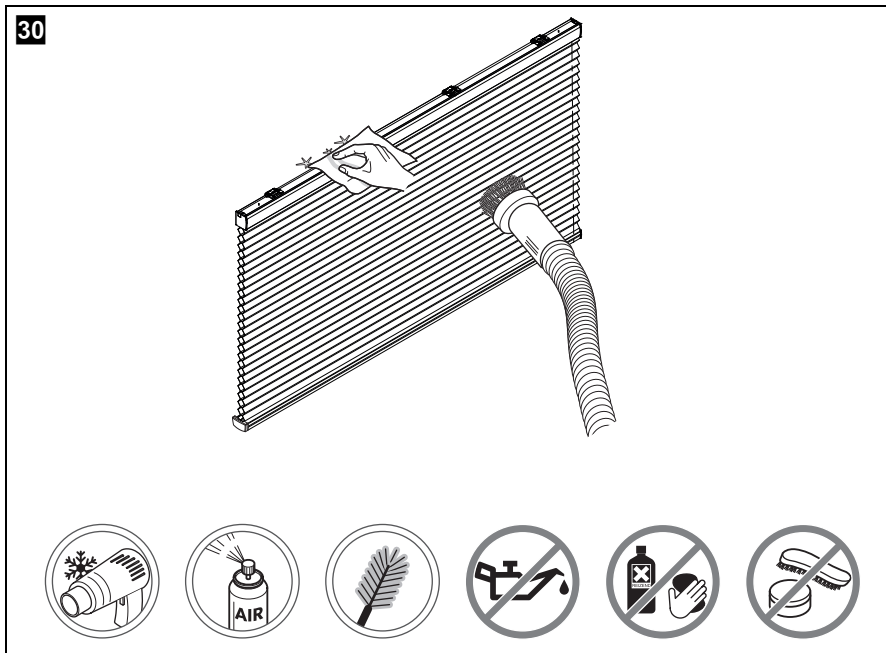
Motorisoidut kaihtimet: Ryhdy asianmukaisiin organisatorisiin toimiin, joilla estetään kaihtimen käyttö, kun kaihtimien läheisyydessä tehdään huoltotöitä, kuten ikkunan tai seinän pesua, jos kaihtimia voidaan käyttää paikasta, johon kaihdin ei näy.



HUOMAUTUS! Vahingonvaara

- Älä rasvaa, öljyä tai voitele kaihdinta. Voiteluaineet vaurioittavat kangasta.
- Hankaaminen voi vaurioittaa kudosta.
- Yksittäisten tahrojen puhdistaminen voi johtaa siihen, että ne ovat ympäristöään puhtaampia.
- Älä kastele kaihtimia läpimäräksi.
- Valmistaja suosittelee kaikkien puhdistusaineiden kokeilemista ensin kaihtimen huomaamattomaan kohtaan.

► Puhdista kaihdin kuvan osoittamalla tavalla.



10 Vianetsintä

Häiriö	Ratkaisu
Kireys ei ole riittävä	► Katso kap. "Asennus" sivulla 316.
Pingotettu kaihdin ei liiku kevyesti	► Tarkista kiinnitysten sijainnit ja syvennysten mitat.
Motorisoidut kaihtimet:	
Kaihtimet pysähtyvät väärään kohtaan	► Katso säätimen käyttöohje.
Kaihtimet liikkuvat eri nopeuksilla toisiinsa nähden	► Katso säätimen käyttöohje.
Motorisoitu kaihdin ei toimi	<ul style="list-style-type: none"> ► Jatkuva tai yhtämittäinen käyttö voi laukaista integroidun ylikuumenemiskatkaisun. Anna moottorin jäähtyä 20 minuuttia ja yritä uudelleen. ► Tarkista kaihtimen virransaanti. ► Tarkista, onko moottorin sähköjohdotus tehty oikein. ► Jos virransyöttö on tarkistettu ja moottori on yhä viallinen, ota yhteyttä Dometiciin.

11 Takuu

Seuraavista kappaleista saat tietoa takuusta ja takuutuesta.

11.1 Australia ja Uusi-Seelanti

Jos tuote ei toimi niin kuin sen pitäisi, ota yhteyttä jälleenmyyjään tai valmistajan toimipisteeseen omassa maassasi (ks. dometic.com/dealer). Tuotettasi koskeva takuu on voimassa 1 vuoden/vuotta.

Jos lähetät tuotteen korjattavaksi, liitä korjaus- ja takuukäsittelyä varten mukaan seuraavat asiakirjat:

- Kopio kuitista, jossa näkyy ostopäivä
- Valitusperuste tai vikakuvaus

Koskee vain Australiaa

Tuotteitamme koskevia takuita ei voida sivuuttaa Australian kuluttajalain nojalla. Sinulla on oikeus vaihtaa tai palauttaa tuote, jos siinä on merkittävä vika, ja saada korvaus muusta kohtuullisesti ennakoitavasta menetyksestä tai vauriosta. Lisäksi sinulla on oikeus korjauttaa tai vaihdattaa tuotteet, jos tuotteiden laatu ei ole hyväksyttävä eikä vika muodosta vakavaa vikaa.

Koskee vain Uutta-Seelantia

Tämä takuukäytäntö on Kuluttajatakuulaissa [Consumer Guarantees Act 1993(NZ)] säädettyjen pakollisten ehtojen ja takuiden mukainen.

Paikallinen tuki

Paikallisen tuen löydät osoitteesta dometic.com/dealer

11.2 Yhdysvallat ja Kanada

RAJOITETTU TAKUU SAATAVANA OSOITTEESSA
DOMETIC.COM/WARRANTY.

JOS SINULLA ON KYSYTTÄVÄÄ TAI JOS HALUAT MAKSUTTOMAN KOPION RAJOITETUSTA TAKUUSTA, OTA YHTEYTTÄ:

DOMETIC CORPORATION
CUSTOMER SUPPORT CENTER
2320 INDUSTRIAL PARKWAY
ELKHART, INDIANA 46516
1-800-544-4881
customersupportcenter@dometic.com

11.3 Kaikki muut alueet

Tuotetta koskee lakisääteinen tuotevastuu-aika. Jos tuote on viallinen, ota yhteyttä valmistajan toimipisteeseen omalla alueellasi (dometic.com/dealer) tai jälleenmyyjään.

Jos lähetät tuotteen korjattavaksi, liitä korjaus- ja takuukäsittelyä varten mukaan seuraavat asiakirjat:

- Kopio kuitista, jossa näkyy ostopäivä
- Valitusperuste tai vikakuvaus

Huomaa, että itse tai väärin tehty korjaus voi vaarantaa turvallisuuden ja johtaa takuun raukeamiseen.

12 Hävittäminen

12.1 Australia ja Uusi-Seelanti



- Vie pakkausmateriaalit mahdollisuuksien mukaan niille tarkoitettuihin kierrätysjäteastioihin.
- Tiedustele lähimmästä kierrätyskeskuksesta tai erikoisliikkeestä tuotetta koskevia yksityiskohtaisia hävittämistä koskevia ohjeita.

12.2 Kaikki muut alueet



- Vie pakkausmateriaalit mahdollisuuksien mukaan niille tarkoitettuihin kierrätysjäteastioihin.
- Tiedustele lähimmästä kierrätyskeskuksesta tai erikoisliikkeestä tuotetta koskevia yksityiskohtaisia hävittämistä koskevia ohjeita.
- Tuotteen voi hävittää veloituksetta.

請詳閱以下操作說明，並遵守本產品手冊中提供的所有操作說明、準則及警告事項，確保正確安裝、使用及保養產品。使用本產品時務必遵守所有操作說明。

使用本產品即表示您已詳閱所有操作說明、準則及警告事項，且您了解並同意遵守本手冊所述之條款及條件。您同意僅按照預定用途和使用方式使用本產品，並在使用時遵守本產品手冊所述之操作說明、準則及警告事項，以及所有相關法律與法規。如未參閱及遵守本手冊所述之操作說明及警告事項，可能會導致您本人及他人受傷、產品損壞，或是鄰近區域其他財產損壞。本產品手冊 (包括操作說明、準則及警告事項) 以及相關說明文件隨時可能修改與更新。如需最新產品資訊，請瀏覽 documents.dometic.com。

目錄

1	符號說明	343
2	安全提示	344
3	供貨範圍	346
4	配件.....	347
5	預定用途	348
6	技術說明	348
7	安裝.....	349
8	操作.....	367
9	清潔與維護	370
10	排除故障	371
11	保固.....	371
12	棄置.....	373

1 符號說明



警告！

安全指示：表示危險情況，如果不避免，可能會導致人員死亡或重傷。



小心！

安全指示：表示危險情況，如果不避免，可能會導致輕度或中度人身傷害。

**注意！**

表示如果不避免，可能會導致財產損害的情況。

**提示**

產品操作補充資訊。

2 安全提示



警告！未遵守這些警告可能導致人員死亡或重傷。

電擊危險（僅限電動百葉窗）

- 裝置如有明顯損壞，切勿繼續操作。
- 如果本設備的電源線損壞，必須由製造商、客戶服務人員或其他合格有能力的人員更換，以防止安全危害。
- 維修欠妥可以導致嚴重危害。
- 進行任何維修工作前，請將百葉窗的電源供應中斷。

健康危險

- 重要安全指示。遵循這些指示對於人員安全而言非常重要。儲存這些指示。
- 凡年滿 8 歲者皆可使用本裝置，即便是身體、知覺或心智能力有障礙，抑或欠缺相關經驗或知識的人，只要有人在一旁監督，或指導其如何安全使用本裝置並瞭解相關危險，亦可使用本裝置。
- 禁止兒童在裝置上嬉戲。
- 不可讓兒童在無人監督的情況下進行清潔及保養。
- 操縱前應收起百葉窗，確保駕駛員視野不受限制。
- **僅限電動百葉窗：**
 - 不要將電動百葉窗安裝在逃生艙口。
 - 未經製造商明確許可修改設備的設計或配置可能會造成危險情況。
 - 請勿讓兒童玩耍內百葉窗的控制裝置。遙控器的放置位置應遠離兒童。
 - 經常檢查安裝是否有纜線磨損或損壞的跡象。如果需要修理，請勿使用。
 - 在附近實施例如窗戶清潔等維護作業時，請勿進行操作。

勒頸危險

- 操作產品的拉繩、鏈條、膠帶和內繩中的環可能會勒住幼兒。
- 為避免勒頸與糾纏，請將繩索放置在幼兒接觸不到的地方。繩索可能會纏繞在孩子的脖子上。
- 讓床、嬰兒床和家具遠離窗簾線。
- 不要將電線綁在一起。確保電線沒有扭曲並形成迴路。

窒息危險

- 本裝置包含小零件。將其遠離 3 歲以下的兒童。
- 包裝中包含有塑膠袋。將它們遠離 3 歲以下的兒童。



小心！未遵守這些注意事項可能導致輕度或中度人身傷害。

受傷風險

- 裝置僅可由合格或有能力的人員利用合適的緊固材料進行安裝、拆卸或維修。
- 安裝百葉窗時採取合理的預防措施並穿戴適當的個人防護設備。
- **僅適用於船隻和遊艇：**如果百葉窗的位置是開啟窗戶的前面，當船隻以超過 10 節的速度行駛或海況超過中等時，應將百葉窗收起，因為此情況可能會損壞百葉窗。鬆動的零件可能會對附近的人造成傷害。



注意！

損壞危險

- 船隻或車輛行駛時，應將百葉窗完全收起。
- 使用適合牆體結構的螺絲和塞子固定百葉窗。
- 確定您沒有鑿穿牆壁。
- 確定您的雙手乾淨或戴上合適的手套以避免在織物上留下痕跡。
- **僅限電動百葉窗：**
 - 檢查纜線標籤上的電壓規格是否與電源的規格相同。
 - 只能使用橫截面合適的纜線。

3 供貨範圍

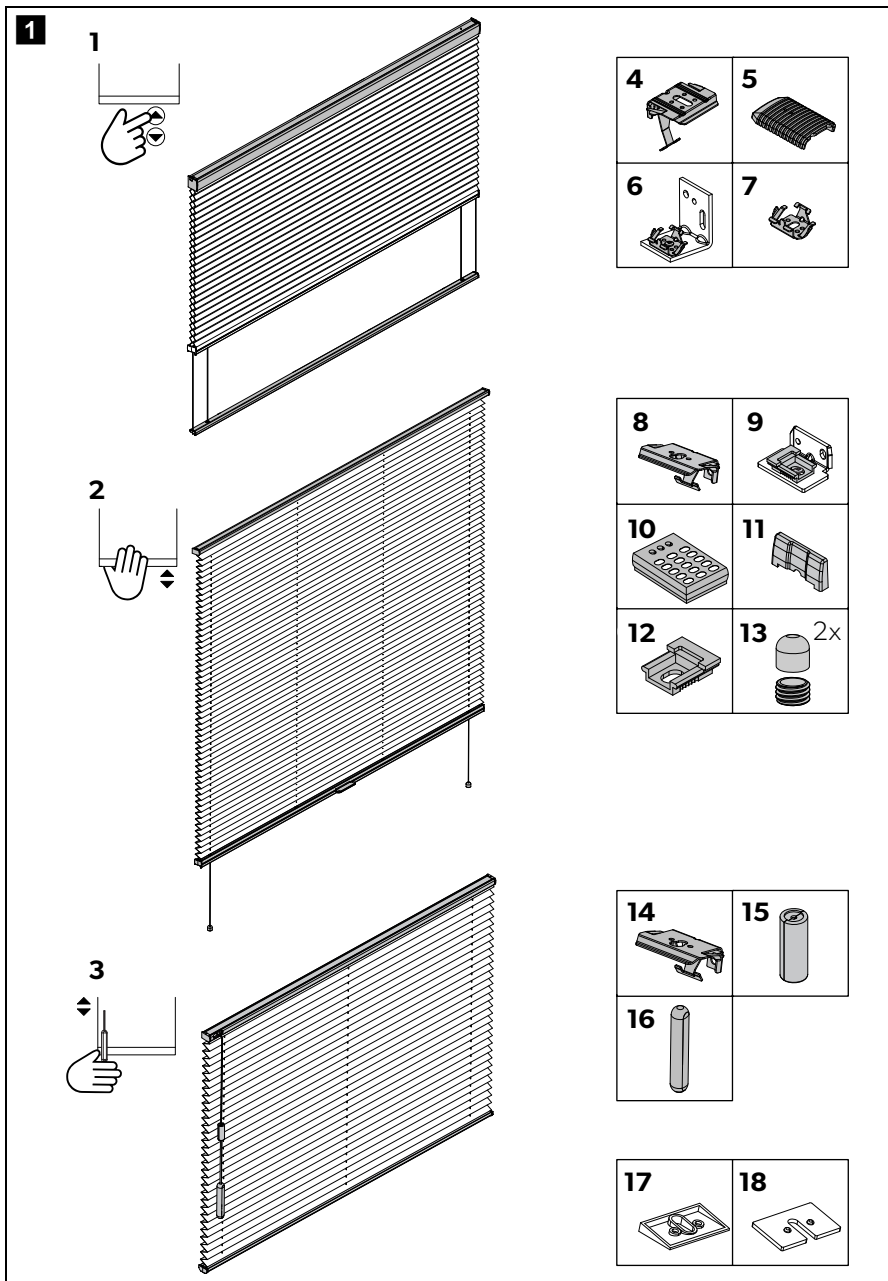


圖 1 中的項目	數量	說明
1 – 3	1	百葉窗裝置 設計視型號而定，例如電動或手動、任意懸掛或是拉緊、有 2 根拉桿或是有 3 根拉桿的版本
4	視百葉窗大小而定	適用於電動百葉窗的頭軌支架
5	視百葉窗大小而定	L 支架蓋 (正面固定時的選購配件)
6	視百葉窗大小而定	3 根拉桿版本時使用的支架 (正面固定時的選購配件)
7	視百葉窗大小而定	3 根拉桿版本時使用的支架 (凹槽固定時的選購配件)
8, 14	視百葉窗大小而定	適用於手動百葉窗的頭軌支架
9	視百葉窗大小而定	踏板座
10	2	踏板 (正面與凹槽固定時選購，僅適用 2 根拉桿的版本)
11	視百葉窗大小而定	L 支架蓋
12	視百葉窗大小與角度而定	踏板座 (凹槽固定時選購，僅適用 2 根拉桿的版本)
13	1	圓頂停止裝置組 (使用 2 根拉桿的版本時選購，連接至提供的百葉窗)
15	1	棍/橡木
16	1	釋放把手支架
17 – 18	選購	水平百葉窗墊片 (選購)

4 配件

使用個別的訂購單可獲得配件。您可以在 dometic.com 找到您的授權客戶服務中心。

5 預定用途

百葉窗適用於：

- 安裝於遊艇和小船上
- 安裝在大篷車和房車中

百葉窗的設計和尺寸可以客製化。可裁剪百葉窗的面料以符合客戶的規格。

百葉窗的設計僅供室內使用，不應安裝在浴室、潮濕的房間或其他濕度較高的地方。

本產品只適用於預定用途和符合操作說明的使用方式。

本手冊提供正確安裝和/或操作本產品所必備的資訊。倘若安裝不正確和/或操作或保養不當，會影響帳篷效能且可能會導致故障。

凡因下列因素引致之任何人身傷害或產品損壞，製造商概不負責：

- 組裝或連接不正確，包括電壓過高
- 保養不正確，或者使用其他品牌零件而非製造商提供之原廠零件
- 未經製造商明確授權，擅自改裝產品
- 用於非本手冊所述之用途

Dometic 保留更改產品外觀及產品規格之權利。

6 技術說明

百葉窗有以下不同的操作類型：

- 手動，拉緊
- 手動，任意懸掛
- 電動，拉緊
- 電動，任意懸掛

拉緊型百葉窗需要將繩索固定在頭軌對面的位置：

- 固定有 3 根拉桿版本的支架
- 固定有 2 根拉桿版本的停止裝置選項



提示

出貨後，應該根據訂單確認核對百葉窗類型以及出貨範圍。指示百葉窗類型的產品編號標籤位於頭軌的背面。手型配對可能會看起來很像。

7 安裝



小心！受傷風險

重要安全指示。請遵循所有指示，因為倘若安裝不正確有可能會導致嚴重傷害。

7.1 安裝頭軌



警告！

電動百葉窗：開始前先將電源連接中斷，並確保等到安裝完畢後再重新連接。

百葉窗可以正面固定在牆壁前面，也可以固定在牆壁凹槽或天花板上。頭軌可以安裝在窗戶的頂端或底部。電動百葉窗和手動百葉窗有不同的頭軌。

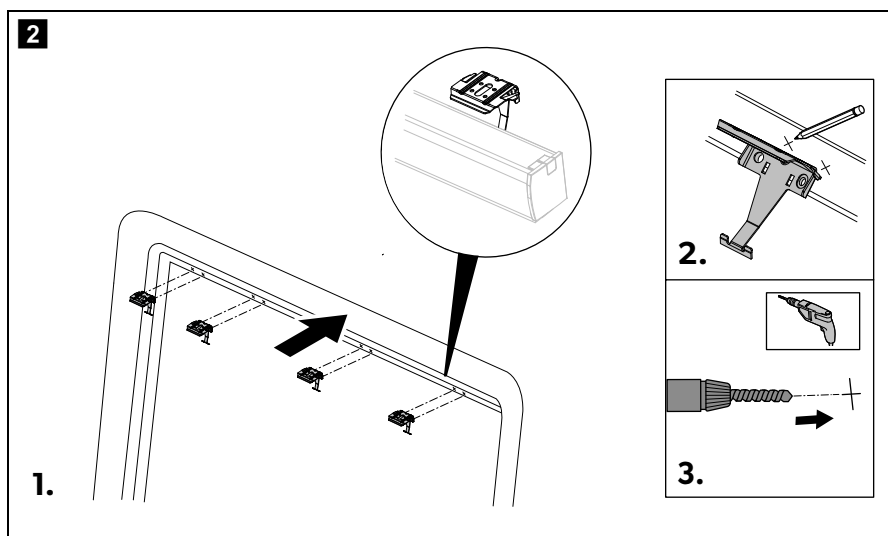
根據安裝位置的空間，百葉窗元件的安裝順序可能會有所不同 (例如，先安裝底桿)。

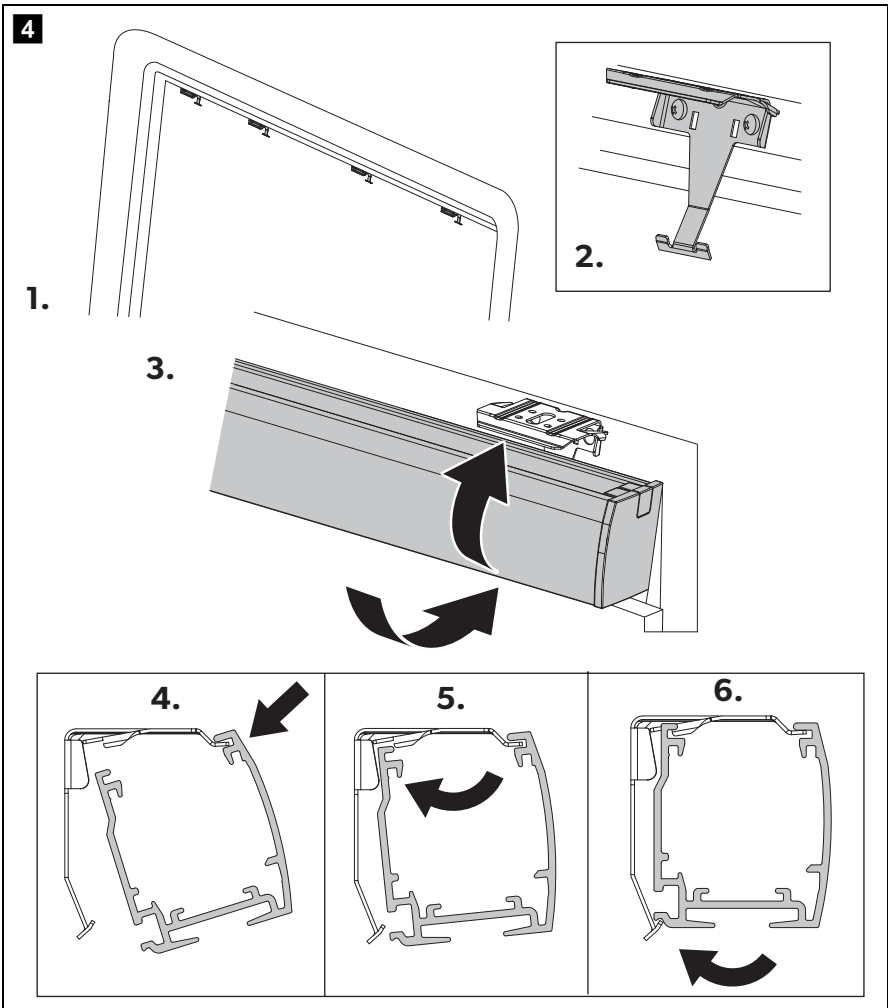
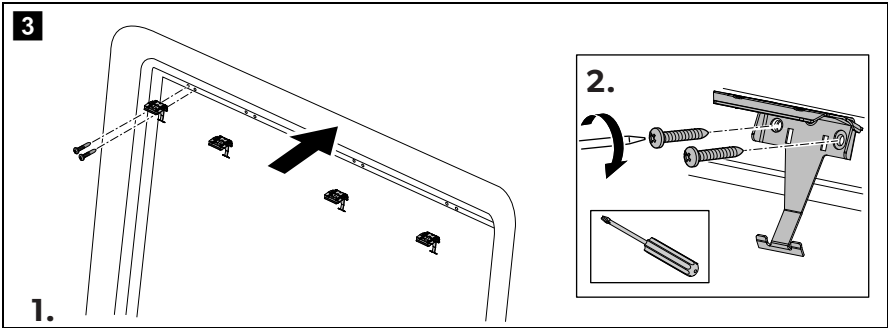


提示

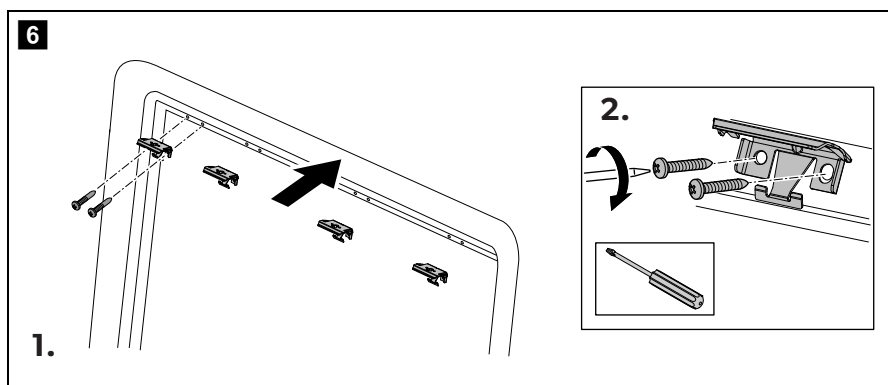
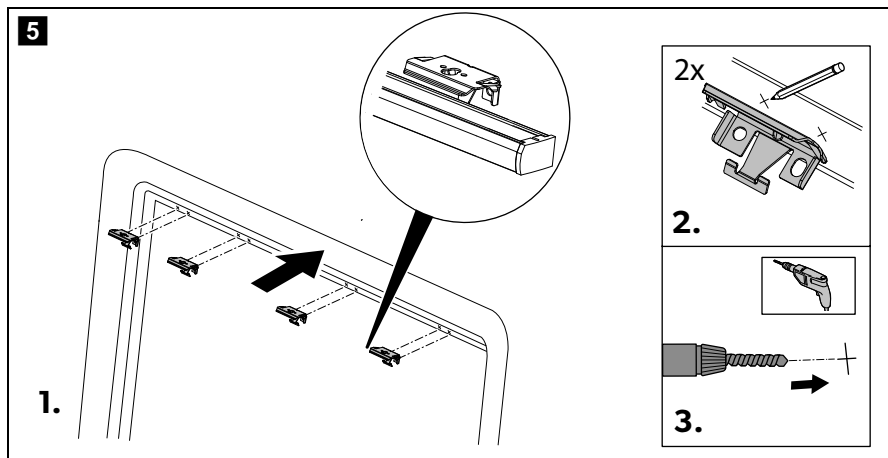
確保支架後方有足夠的空間，以便能夠接觸到釋放夾。

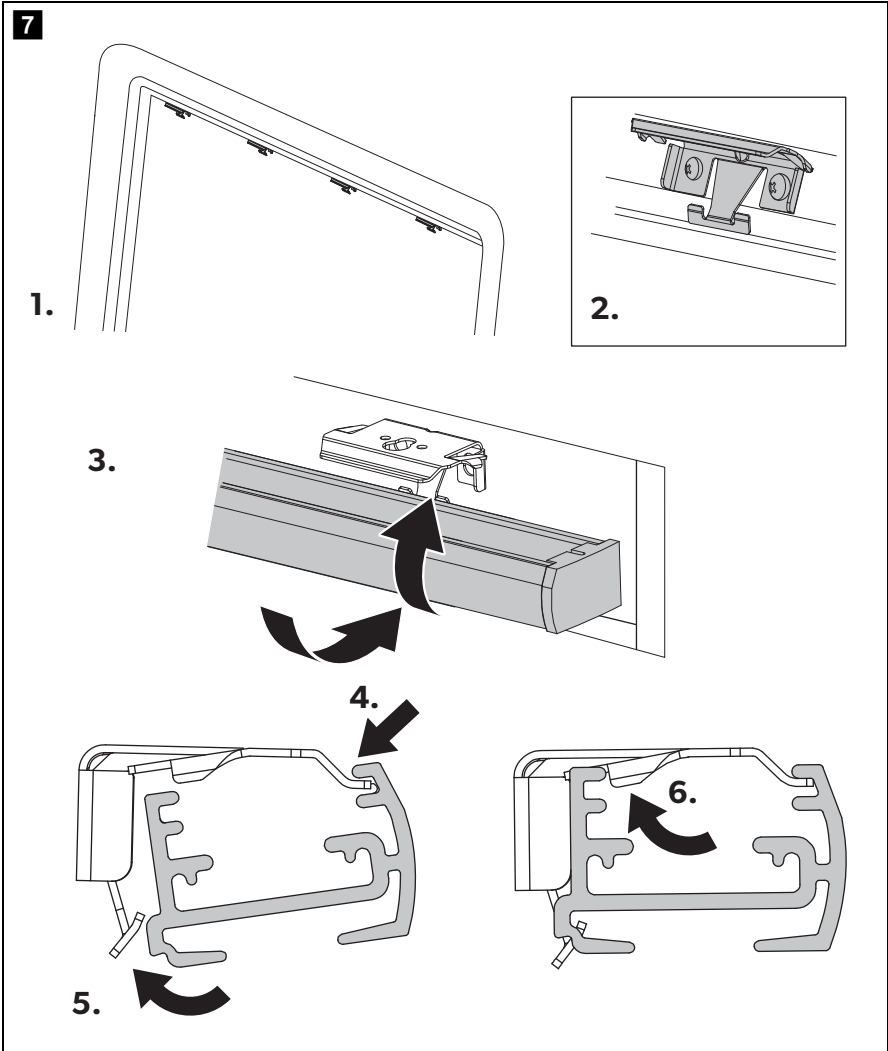
正面固定的電動頭軌



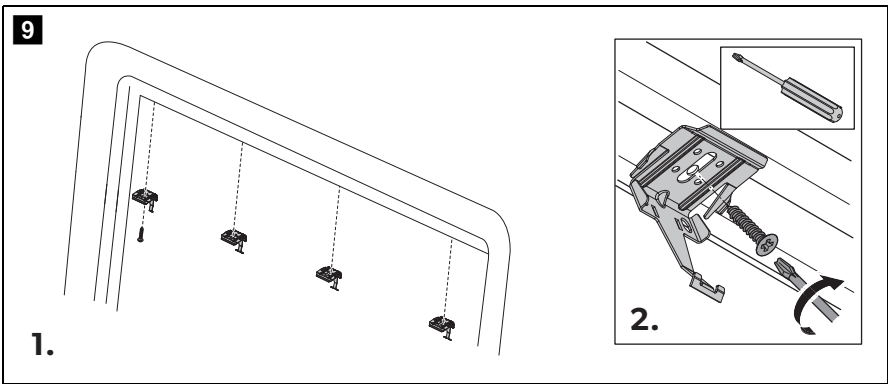
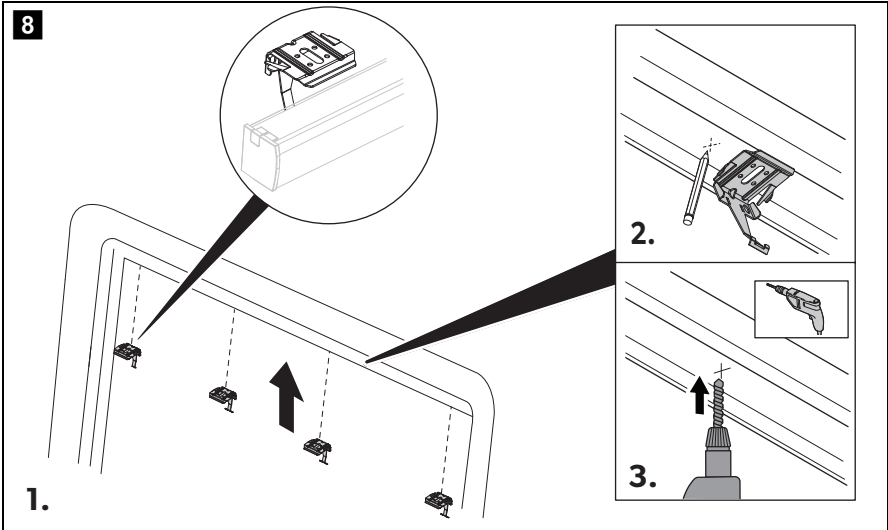


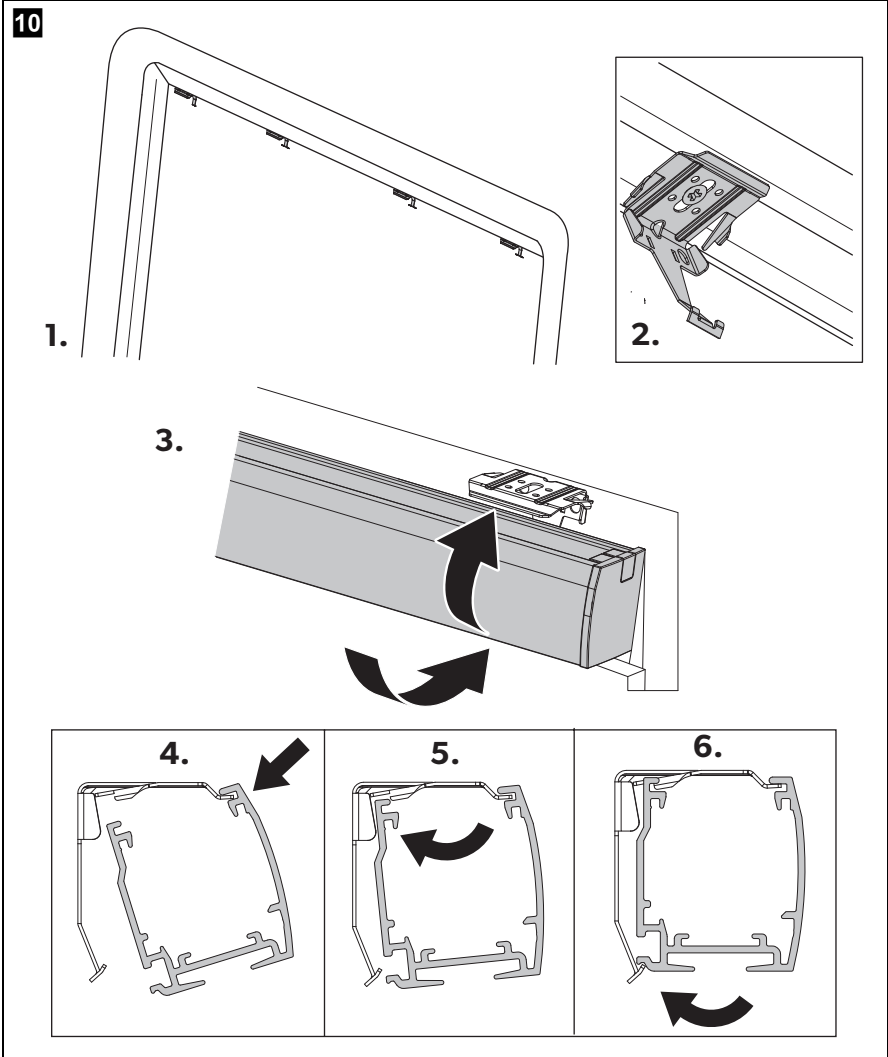
正面固定的手動頭軌



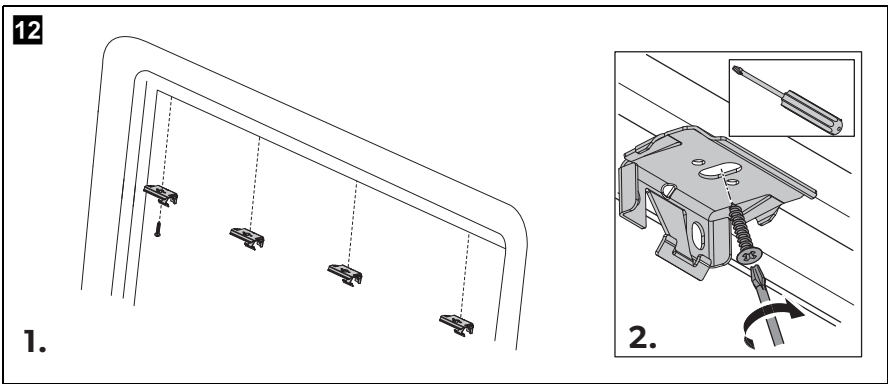
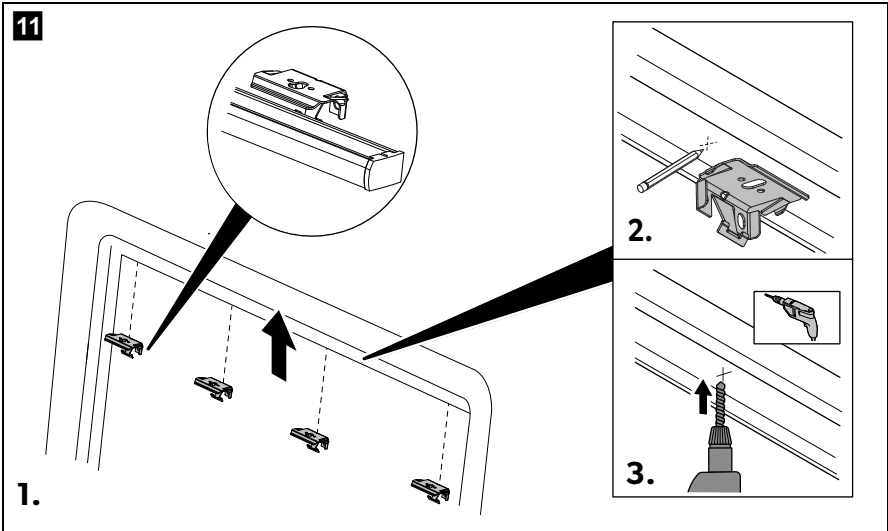


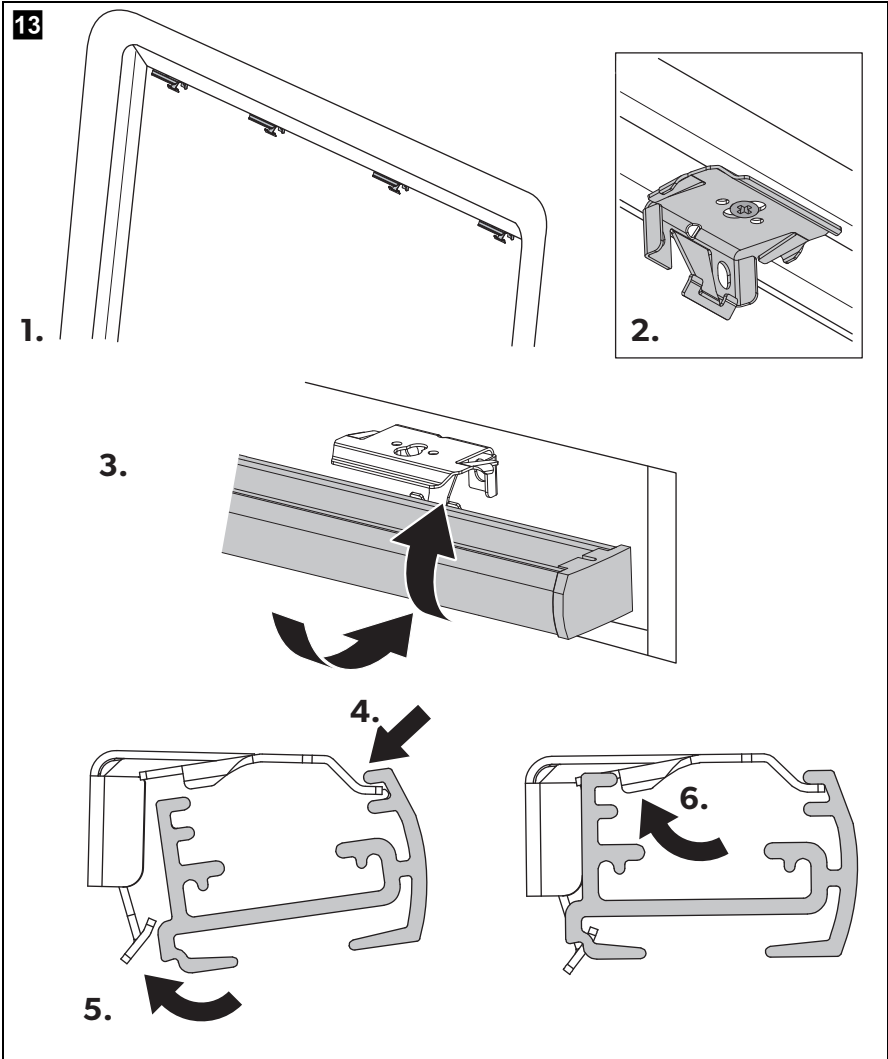
凹槽固定的電動頭軌





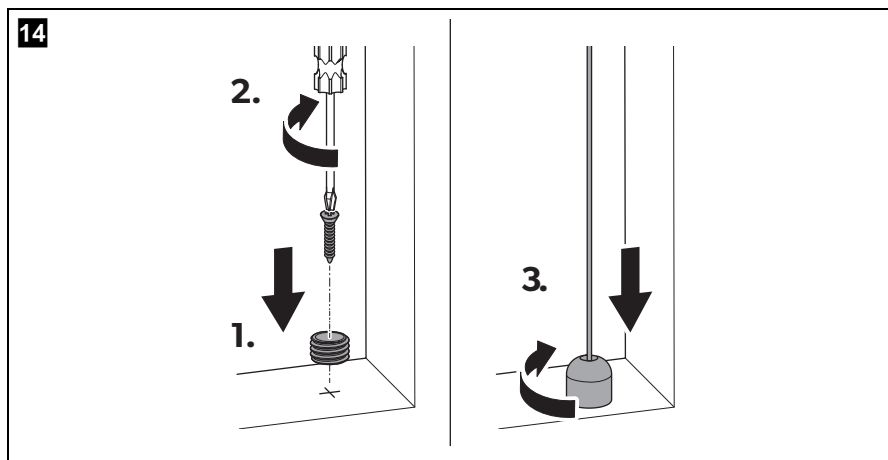
凹槽固定的手動頭軌



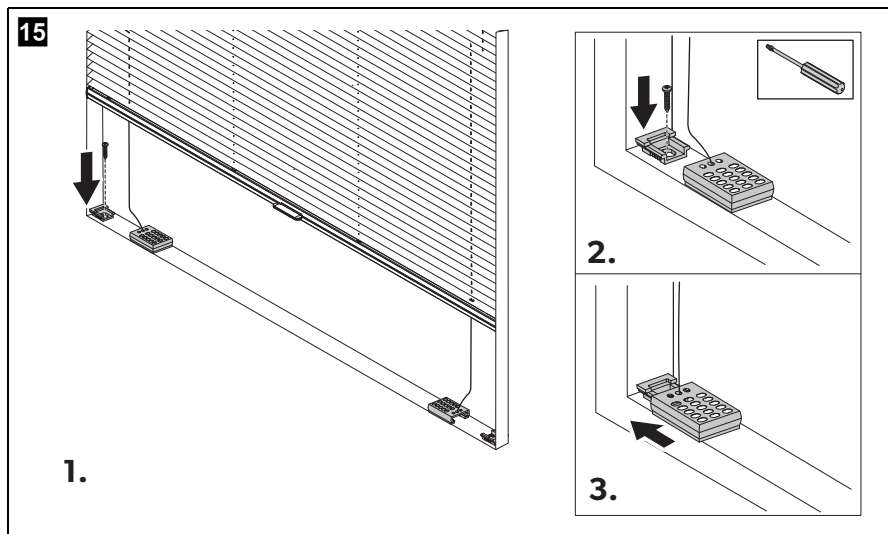


7.2 固定停止裝置

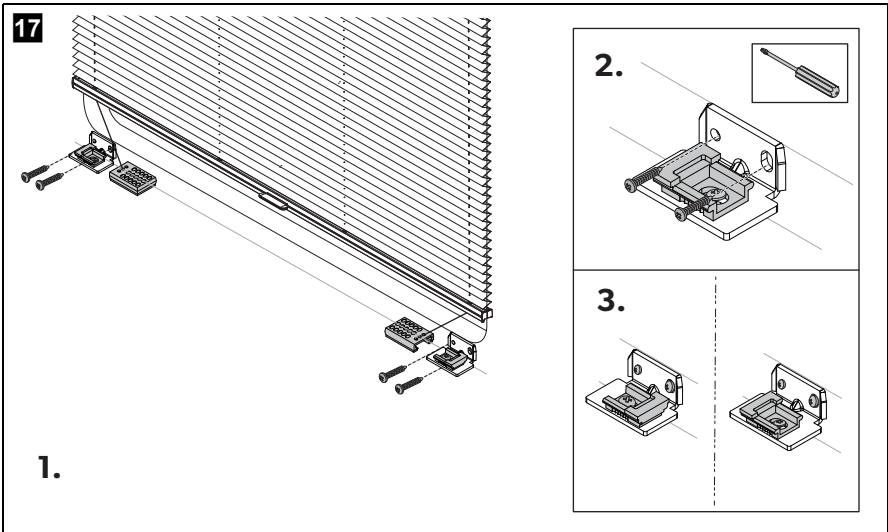
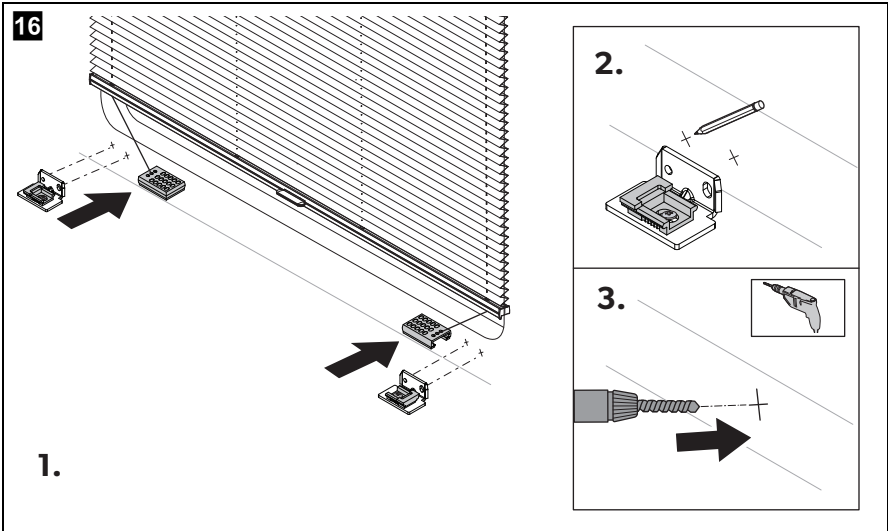
圓頂停止裝置凹槽

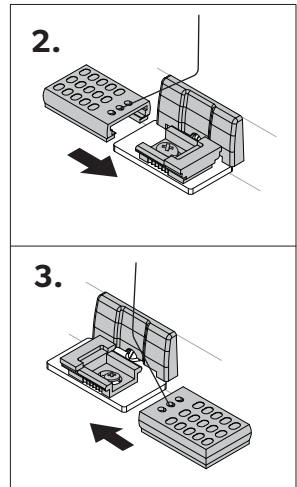
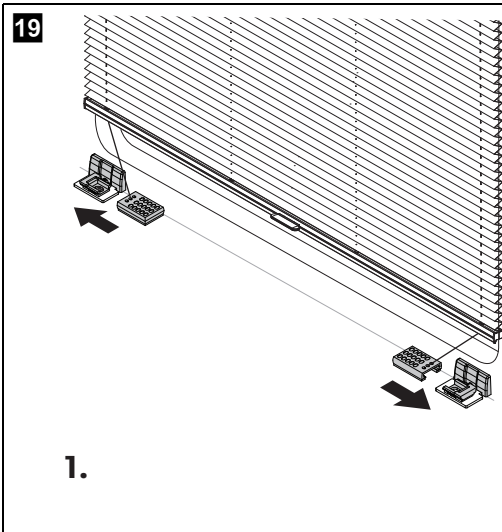
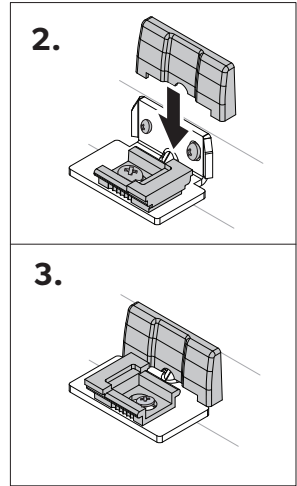
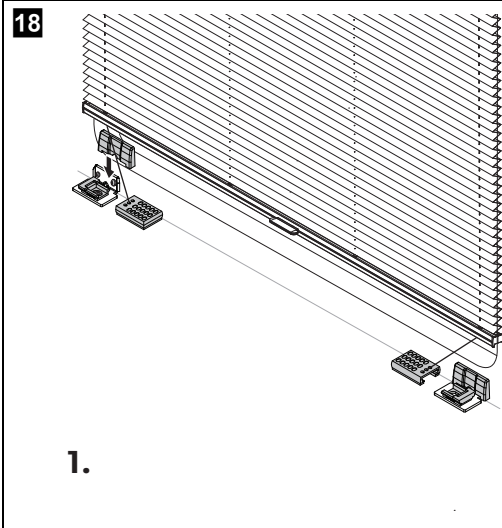


踏板底部固定凹槽



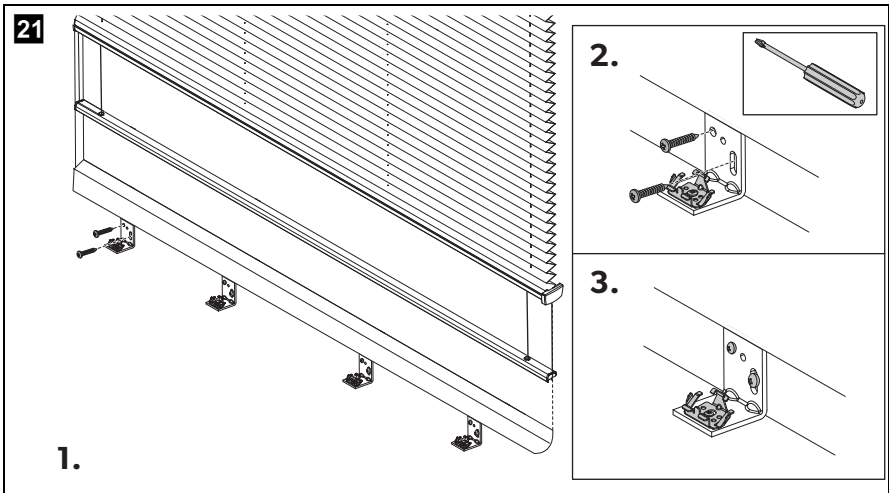
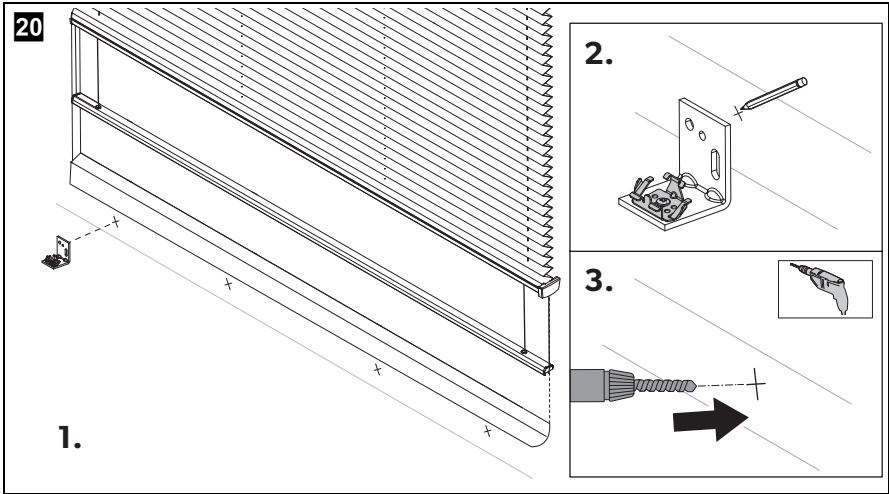
踏板面固定

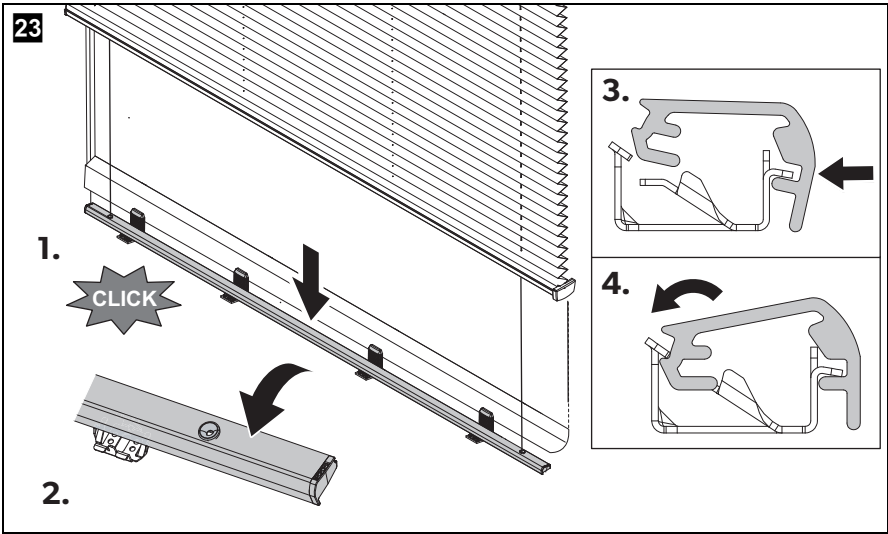
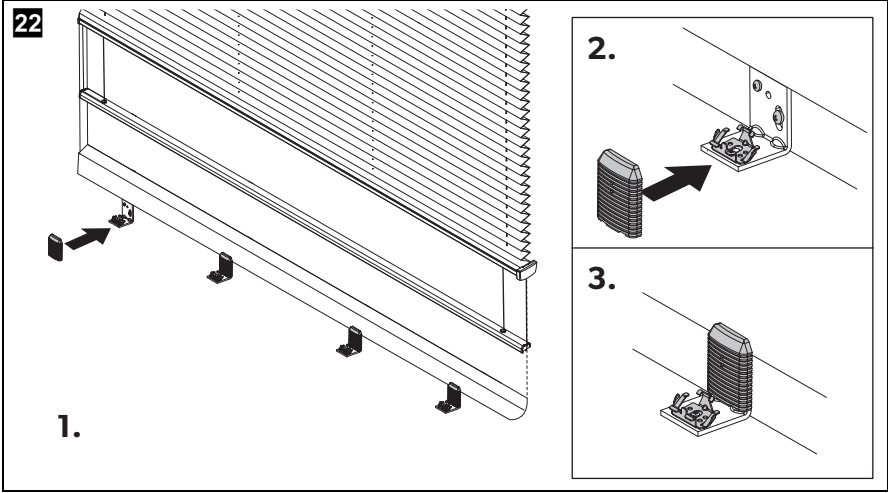




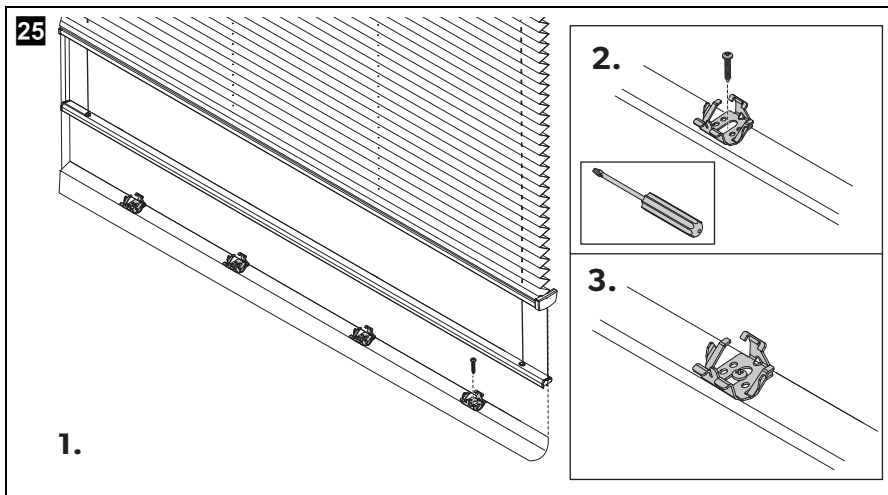
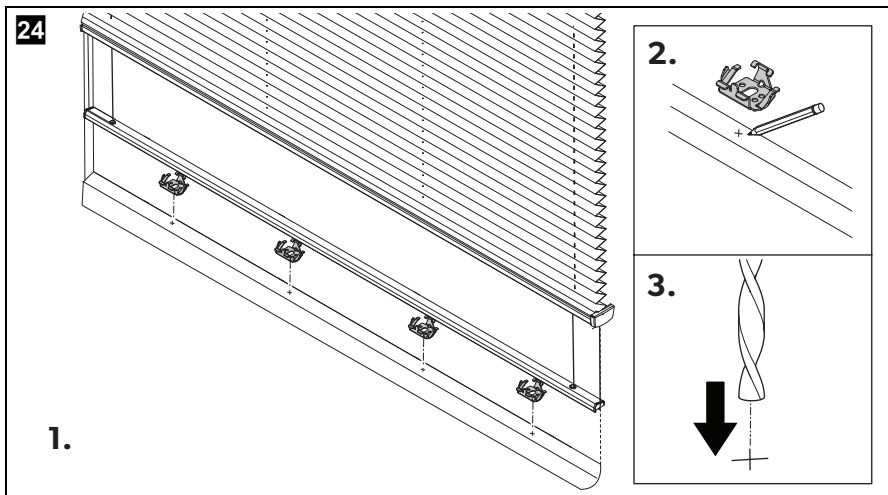
7.3 固定底桿

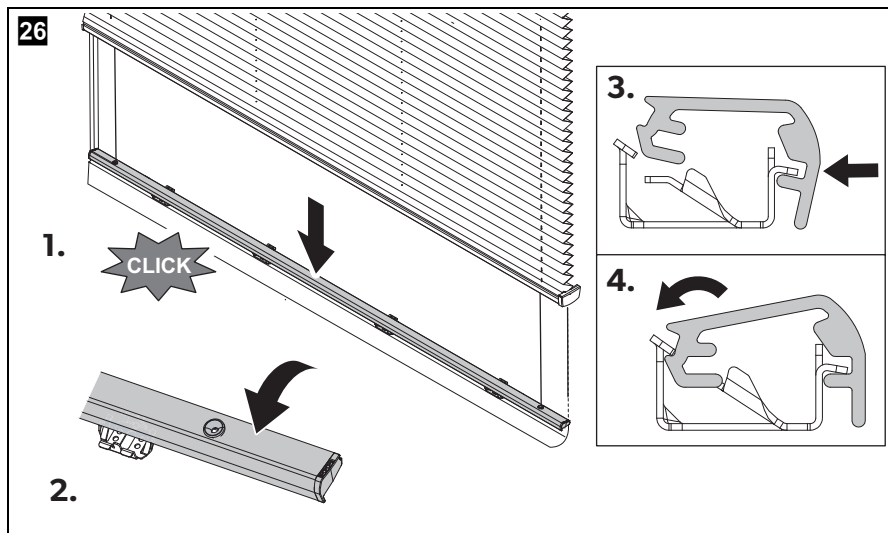
底桿面固定



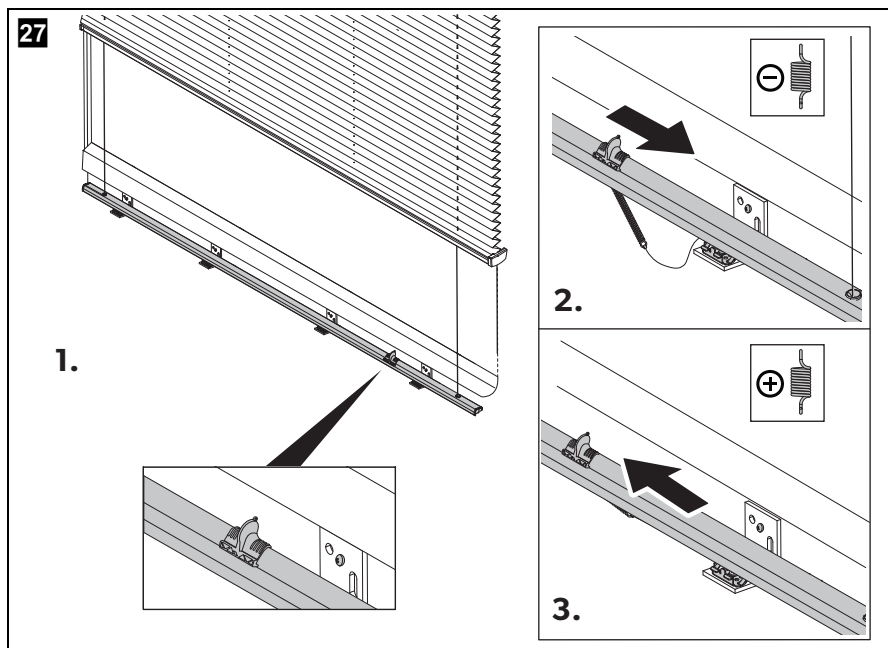


底桿凹槽固定





7.4 拉緊繩索 (僅用於選購的快速拉緊器)



7.5 連接百葉窗 (僅適用於電動百葉窗)

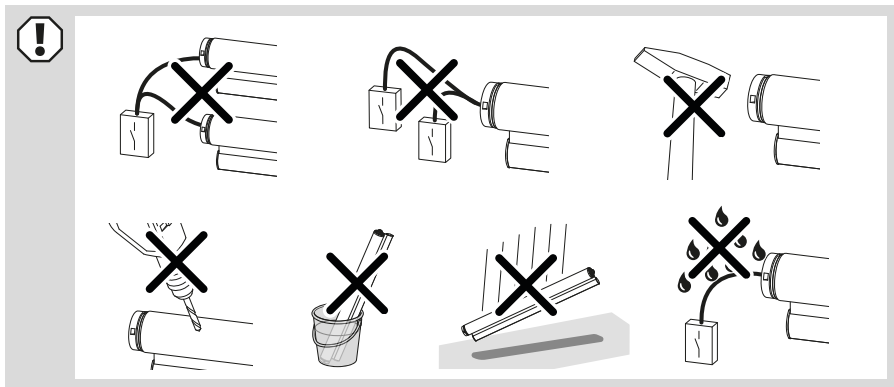


必須由具備電氣設備和裝置的結構與操作的相關技能和知識，熟悉設備安裝和/或使用所在國家/地區的適用法規，並接受過安全訓練而能夠識別和避免相關危險的合格電工連接電源。

電動百葉窗可連接 12/24 V \equiv 電源。頭軌上的銘牌提供了有關百葉窗專用馬達規格的重要資訊。

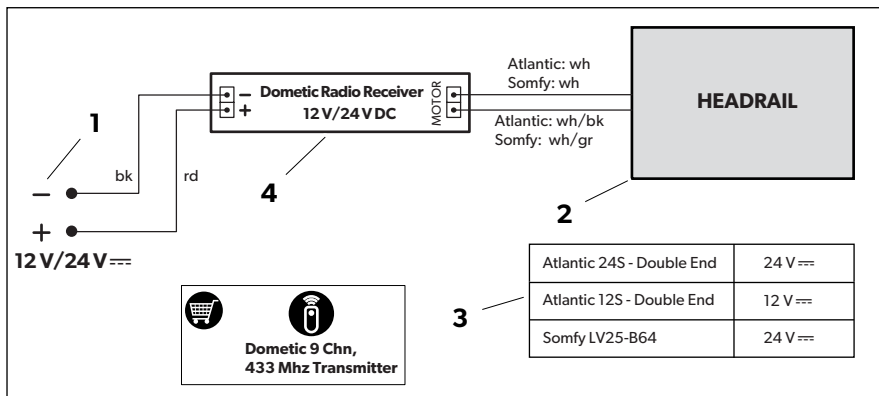
連接百葉窗時必須遵守以下注意事項：

- 確保纜線在安裝過程中沒有損壞。穿過牆壁或隔板的纜線佈線必須透過適當的軸襯、索環或電纜導管進行保護和絕緣。
- 確保在安裝點為驅動器提供 12 V 或 24 V 穩定電源線。電源線佈置合理並且獲得妥善保護。
- 產品必須連接到產品標籤上指定的正確電源。產品中的馬達設計會在超過設定電流時切斷，但電源應接有保險絲以保護產品線路。
- 將所有纜線固定，以防止與移動零件發生任何接觸。
- 僅使用製造商建議的電源裝置和控制元件，避免在操作過程中因不相容的電氣元件而造成損壞或故障。
- 控制設備 (例如開關) 必須安裝在可見位置。
- 每台馬達都需要一個符合所需規格的穩壓電源供應，否則可能會導致馬達無法正常運作。
- 對設定停止位置的任何調整只能使用針對馬達類型指定的方法進行，以避免損壞馬達。

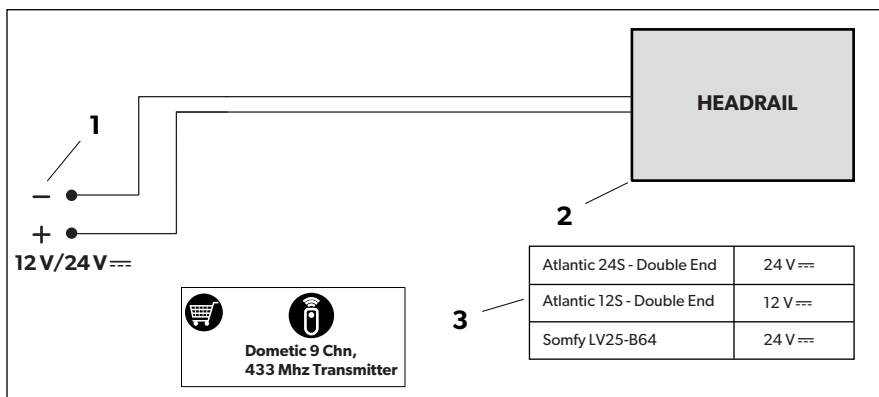


► 按照接線圖所示連接馬達。

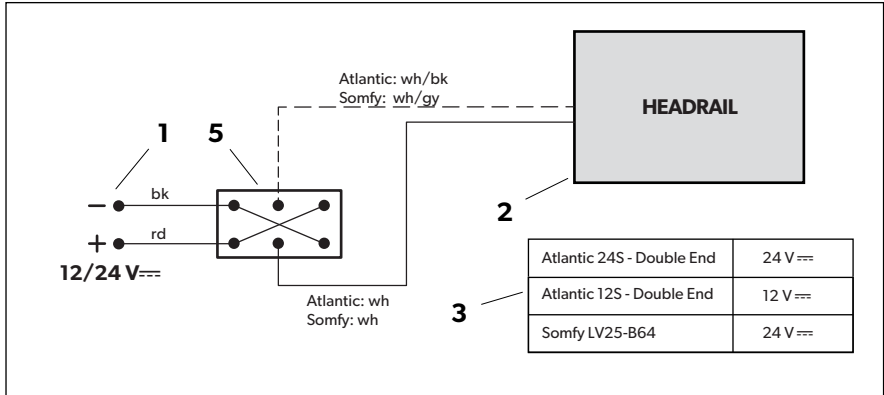
國內無線電控制的百葉窗外部接收器



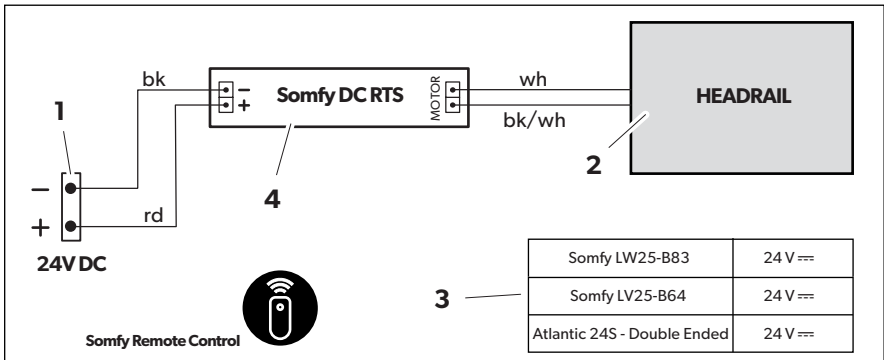
國內無線電控制的百葉窗內部接收器



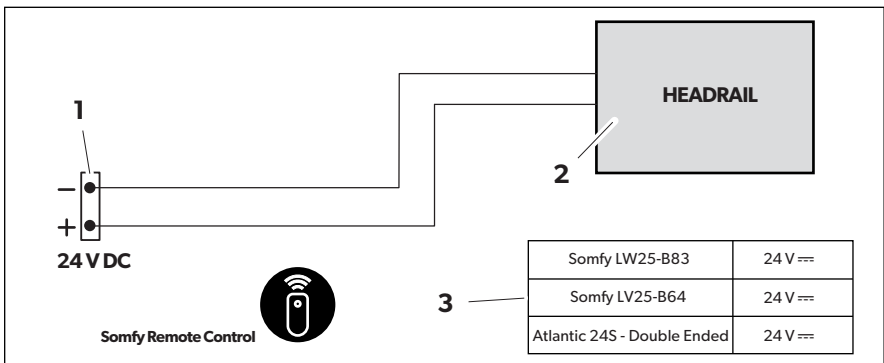
手動開關的百葉窗



Somfy RTS 控制的百葉窗外部接收器



Somfy RTS 控制的百葉窗內部接收器



接線圖關鍵

位置	說明
1	電源供應
2	頭軌
3	頭軌馬達選項
4	外部接收器
5	客戶提供的 DPDT 開關 (雙刀雙擲) · 中心關閉 · 閉鎖或瞬時 · 12 V/24 V $\overline{=}$ · 3 A
bk	黑色
rd	紅色
gy	灰色
wh	白色



提示

- 使用個別的訂購單可獲得配件。
- 請遵守有關控件和操作元件的適用文件。

8 操作



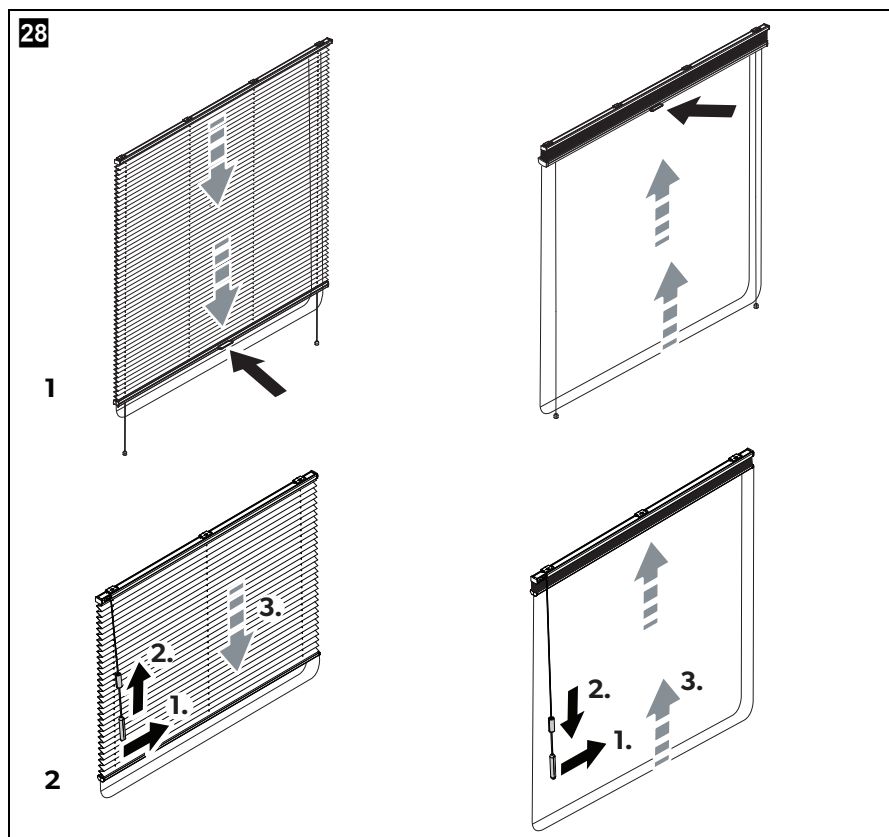
小心！受傷風險

僅適用於船隻和遊艇：如果百葉窗的位置是開啟窗戶的前面，當船隻以超過 10 節的速度行駛或海況超過中等時，應將百葉窗收起，因為此情況可能會損壞百葉窗。鬆動的零件可能會對附近的人造成傷害。

8.1 操作手動百葉窗

可以使用手柄將百葉窗移至到任何位置。

- 如圖所示繼續操作手動百葉窗。



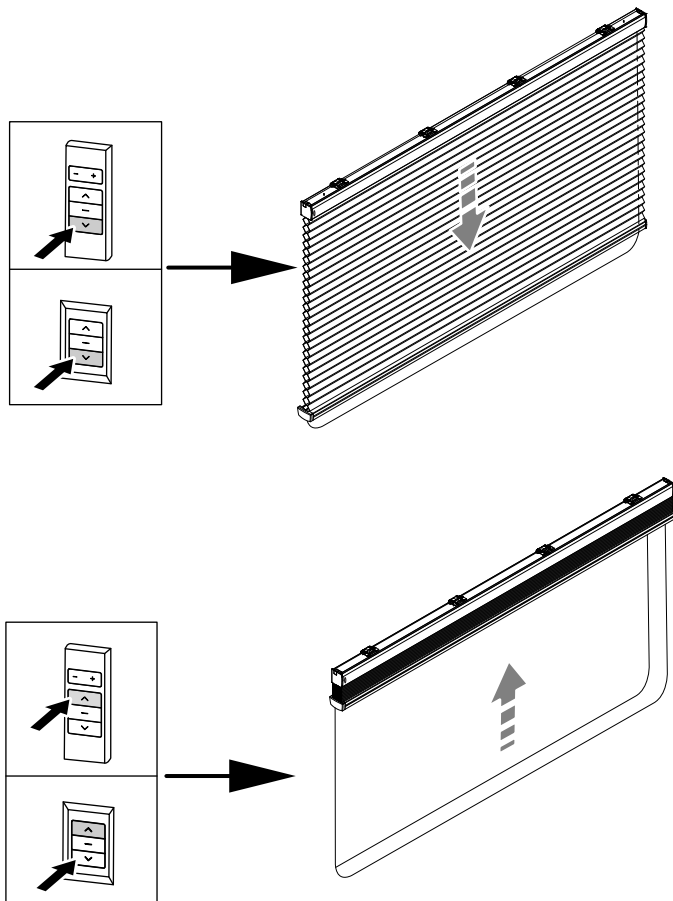
8.2 操作電動百葉窗

請遵守以下注意事項：

- 每個百葉窗都可以停在任何位置。
- 使用自動化系統操作百葉窗時，操作取決於控件的編程。
- 百葉窗在出廠時設定為自動停止：
 - 當百葉窗完全展開時
 - 當百葉窗完全收起時

► 如圖所示操作電動百葉窗。

29

**提示**

基於安全原因，馬達擁有內建的自行重設熱斷路器。長時間使用百葉窗或是使其過度負載可能會觸發切斷裝置。如果發生這種情況，請讓馬達冷卻半小時。

9 清潔與維護



警告！受傷風險

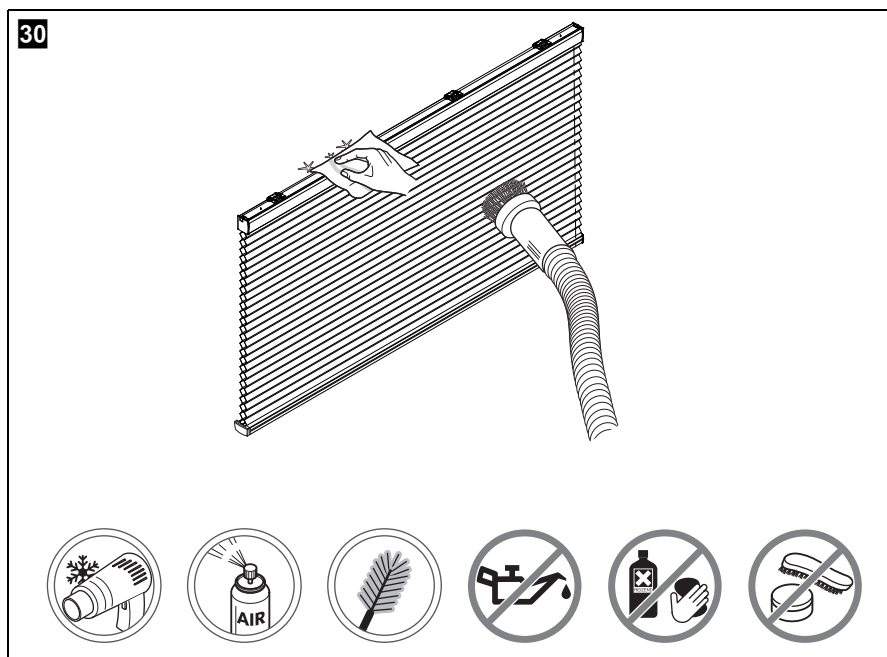
電動百葉窗：採取適當的組織措施，避免在附近進行窗戶或牆壁清潔等維護時操作百葉窗，因為百葉窗可以從看不到百葉窗的位置操作。



注意！損壞危險

- 不要將百葉窗塗抹油脂、上油或潤滑。潤滑劑會損壞面料結構。
- 摩擦會損壞面料結構。
- 汙漬清潔可能會使使得清潔區域比周圍區域更乾淨。
- 不要浸泡百葉窗。
- 製造商建議先在百葉窗的隱藏區域測試任何清潔劑。

► 如圖所示繼續清潔百葉窗。



10 排除故障

故障	解決方法
張力太低	▶ 請參閱第 349 頁的「安裝」章。
拉緊百葉窗的運作不順暢	▶ 請檢查限制位置與凹槽尺寸。
電動百葉窗：	
百葉窗停在錯誤的位置	▶ 請參閱控制設備的手冊。
不同的百葉窗以不同的速度運作	▶ 請參閱控制設備的手冊。
電動百葉窗沒有作用	▶ 長時間或重複使用會啟動內建的熱斷路器。讓馬達冷卻 20 分鐘，然後重試。 ▶ 檢查百葉窗的電源。 ▶ 檢查馬達電壓的接線是否正確。 ▶ 如果檢查電源後馬達仍然出現故障，請聯絡 Dometic。

11 保固

有關保固和保固支援的資訊，請參閱以下部分。

11.1 澳大利亞與紐西蘭

若產品無法正常運作，請聯絡您的零售商或您所在國家/地區的廠商辦事處 (請參見 dometic.com/dealer)。產品的保固期為 1 年。

如欲維修和進行保固處理，請在寄回裝置時隨附下列文件：

- 註明購買日期的收據副本
- 求償原因或故障說明

僅限澳大利亞

我們的商品附帶根據《澳大利亞消費者法案》不能排除的質保條款。出現重大故障時您有權要求更換產品或退貨，並就任何其他合理且可預見的損失或損害要求賠償。如果產品不具有可接受的質量而又不構成重大故障，您也有權要求維修或更換。

僅限紐西蘭

此保固政策受 1993 年《消費者擔保法》（紐西蘭）所包含的強制性條件和擔保的約束。

當地支援

請前往以下網址尋找當地支援：dometic.com/dealer

11.2 美國和加拿大

訪問

DOMETIC.COM

如果您有任何問題，或希望免費獲得有限保固服務的副本，請聯絡：

DOMETIC CORPORATION
CUSTOMER SUPPORT CENTER
5155 VERDANT DRIVE
ELKHART, INDIANA 46516
1-800-544-4881
customersupportcenter@dometic.com

11.3 所有其他國家及地區

本產品有法定保固期。如果本產品出現故障，請聯絡廠商在您所在國家或地區的辦事處 (dometic.com/dealer) 或您的零售商。

如欲維修和進行保固處理，請在寄回裝置時隨附下列文件：

- 註明購買日期的收據副本
- 求償原因或故障說明

請注意，自行維修或非專業人員維修可能會引發安全事故，並可能導致保固失效。

12 棄置

12.1 澳大利亞與紐西蘭



- ▶ 盡可能將包裝材料放入適當的回收垃圾筒中。
- ▶ 有關如何根據適用廢棄物處置規定處置產品的詳細資訊，請諮詢當地的回收中心或專業經銷商。

12.2 所有其他國家及地區



- ▶ 盡可能將包裝材料放入適當的回收垃圾筒中。
- ▶ 有關如何根據適用廢棄物處置規定處置產品的詳細資訊，請諮詢當地的回收中心或專業經銷商。
- ▶ 產品可免費處置。



dometic.com

**YOUR LOCAL
DEALER**

dometic.com/dealer

**YOUR LOCAL
SUPPORT**

dometic.com/contact

**YOUR LOCAL
SALES OFFICE**

dometic.com/sales-offices