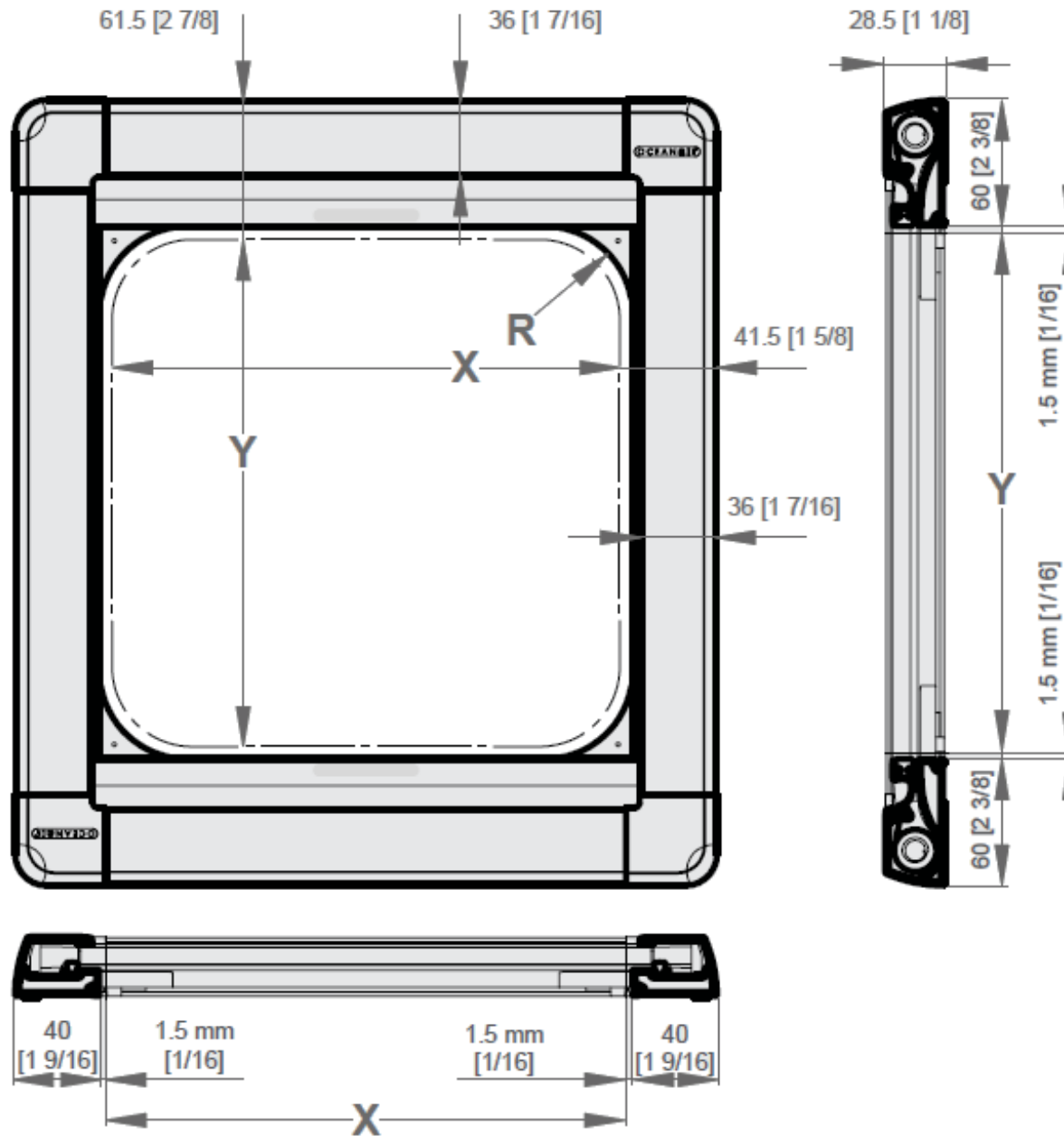


DOMETIC OCEANAIR

SKYSCREEN ROLLER SURFACE 2 (SRS) SIZING GUIDE



Standard Sizes

Hatch Code	Manufacturer	Width (X)	Drop (Y)	Overall (X)	Overall (Y)
00	Lewmar	211mm [8 5/16 in]	211mm [8 5/16 in]	283mm [11 1/8 in]	283mm [11 1/8 in]
03	Lewmar	231mm [9 1/8 in]	176mm [6 15/16 in]	303mm [11 15/16 in]	248mm [9 3/4 in]
10	Lewmar	260mm [10 1/4 in]	260mm [10 1/4 in]	332mm [13 1/16 in]	332mm [13 1/16 in]
20	Lewmar	347mm [13 11/16 in]	202mm [7 15/16 in]	419mm [16 1/2 in]	274mm [10 13/16 in]
30	Lewmar	457mm [18 in]	327mm [12 7/8 in]	529mm [20 13/16 in]	399mm [15 11/16 in]
40	Lewmar	421mm [16 9/16 in]	421mm [16 9/16 in]	493mm [19 7/16 in]	493mm [19 7/16 in]
44	Lewmar	442mm [17 3/8 in]	442mm [17 3/8 in]	514mm [20 1/4 in]	514mm [20 1/4 in]
50	Lewmar	507mm [19 15/16 in]	377mm [14 13/16 in]	579mm [22 13/16 in]	449mm [17 11/16 in]
54	Lewmar	507mm [19 15/16 in]	392mm [15 7/16 in]	579mm [22 13/16 in]	464mm [18 1/4 in]
60	Lewmar	507mm [19 15/16 in]	507mm [19 15/16 in]	579mm [22 13/16 in]	579mm [22 13/16 in]
70	Lewmar	627mm [24 11/16 in]	627mm [24 11/16 in]	699mm [27 1/2 in]	699mm [27 1/2 in]
1000	Bomar	275mm [10 13/16 in]	275mm [10 13/16 in]	347mm [13 11/16 in]	347mm [13 11/16 in]
1029	Bomar	470mm [16 in]	340mm [13 3/8 in]	542mm [21 5/16 in]	412mm [16 1/4 in]
1039	Bomar	515mm [20 1/4 in]	515mm [20 1/4 in]	587mm [23 1/8 in]	587mm [23 1/8 in]
1070	Bomar	420mm [16 9/16 in]	420mm [16 9/16 in]	492mm [19 3/8 in]	492mm [19 3/8 in]
1080	Bomar	470mm [18 1/2 in]	470mm [18 1/2 in]	542mm [21 5/16 in]	542mm [21 5/16 in]
1212	Taylor	305mm [12 in]	305mm [12 in]	377mm [14 13/16 in]	377mm [14 13/16 in]
2020	Taylor	502mm [19 3/4 in]	502mm [19 3/4 in]	574mm [22 5/8 in]	574mm [22 5/8 in]
2222	Taylor	559mm [22 in]	559mm [22 in]	631mm [24 13/16 in]	631mm [24 13/16 in]

Selection

When selecting a SKYscreen Roller Surface 2 it is important to establish the dimensions of the aperture opening at the headliner. The type and manufacturer of hatch is only important if a precision fit of a liner is required. If you do not require a liner, select the SKYscreen that is closest to, but not smaller than, the opening at the headliner.

If a Standard Size code is not available for your hatch, please measure Width (X) & Drop (Y) of the aperture opening at the headliner and contact AhoyCaptain for a quote.

Note: Dimensions converted to nearest fraction - If size is critical order using metric measurements